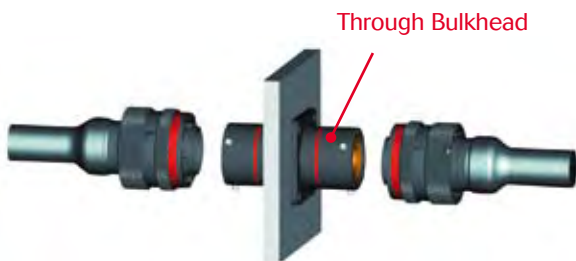


8STA Through Bulkhead



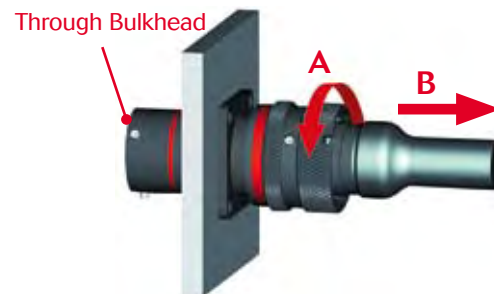
Features & Benefits

- Easy mating/unmating on both sides of the bulkhead



- Significant time saving advantage over conventional plugs & receptacles
 - «Double receptacle» mounted on panel
- The smallest single way power through bulkhead connector on the market
 - Male / female single way power contact #4 in a shell size 12
- Easy identification with colour coded bands
 - 5 visual keyway orientations

- Simplified connection through a bulkhead, eliminating hard wiring to the panel on one side
- Simplifies maintenance procedures having a detachable connector on each side of the bulkhead



- Ideal for external use (dust, water etc.)
 - IP67 (Interfacial & mating seals)
- RoHS compliant
 - Respect for environment

Technical characteristics

Mechanical

• Shell	Aluminium alloy
• Shell plating	Conductive black zinc
• Insulator	Thermoplastic
• Grommet & seal	Liquid silicone rubber
• Contact	Copper alloy
• Contact plating	Gold over nickel
• Endurance	500 matings/unmatings
• Shock resistance	300 g for 3 ms and EIA-364-27
• Vibration resistance	147 m/s ² , 10 to 2000 Hz
• Contact retention	200 N

Electrical

• Test voltage	1300 Vrms (sea level)
• Contact resistance	2 mΩ
• Insulation resistance	≥ 5000 MΩ (at 500 Vdc)
• Contact rating	125 A (continuous)

Climatic

• Temperature range	-55°C to +175°C
• Sealing mated connectors	IP67 (1 metre for 30 min. minimum)
• Salt spray	48 hours

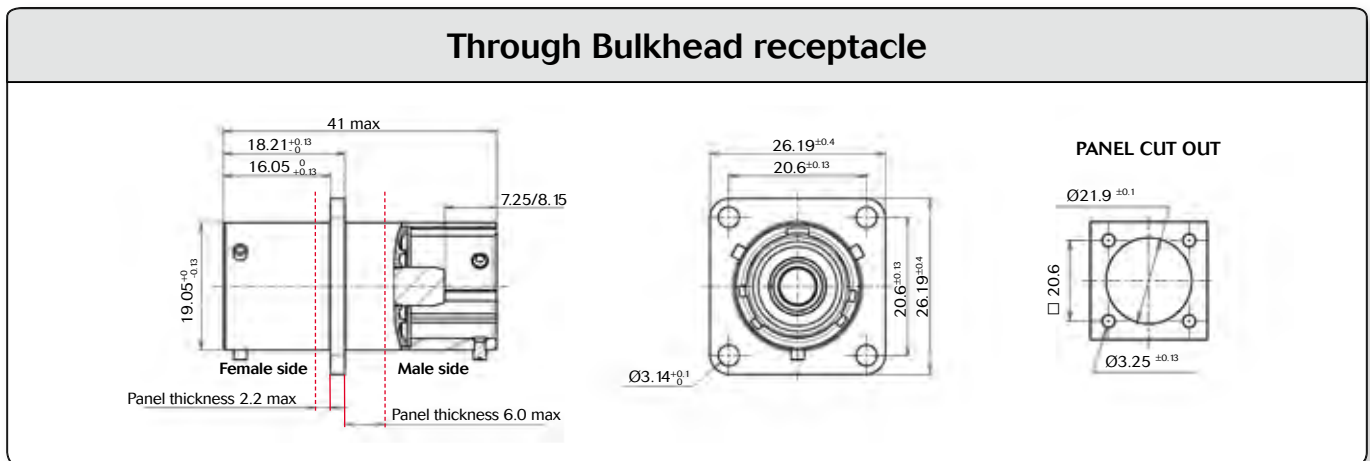
8STA Through Bulkhead

How to order

Basic series	8STA	0	12	01	PS	N	500
Shell style	0: Receptacle						
Shell size	12						
Layout	01 (1 power contact #4)						
Type of contact	P S: Pin + Socket contacts						
Orientation	N: Red / A: Yellow / B: Blue / C: Orange / D: Green / U: Universal						
Specification*	500: Through Bulkhead connector						

* Mandatory / Please consult us for other sizes & layouts

Range presentation



Accessories

