

GG/HG Series

**Smallest Filtered
Power Entry Modules
with Metric Fuseholders**



**UL Recognized
CSA Certified
VDE Approved**

GG Series

GG series power entry modules combine the functions of a general purpose RFI filter with an IEC power cord connector and single or dual metric fusing, in the smallest possible panel space. A choice of .250" terminals or wire leads is available for the load-side terminations.

For maximum cost effectiveness, 6 amp models should be used for all applications rated 6 amps or less, unless the higher performance of the 3 amp models, or the much higher performance of the 1 amp models, is needed.

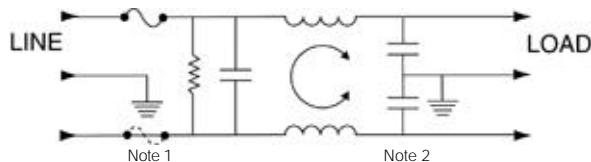
GG Models with C-suffix additionally incorporate a ground choke to isolate the equipment chassis from external ground at RF frequencies.

HG Series

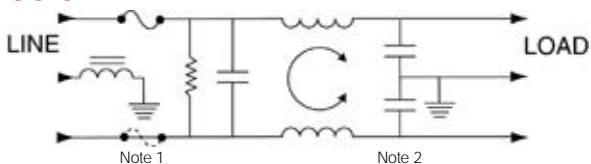
A medical version of our GG series, these filters offer the same compact design but reduce the line-to-ground capacitance in order to meet UL 2601 patient care requirements.

Electrical Schematics

GG/GS/HG



GG-C



Resistor location for reference only.

Note 1: Depicts single fuse for -1 models.

Note 2: For HG delete line-to-ground capacitors.

CAUTION: Do not attempt to operate a single-fused model without the fuse door in place!



HG1/GG1

GG8

Specifications

		HG	GG
Maximum leakage current, each line-to-ground	@120 VAC 60Hz	2µA	.25mA
	@250 VAC 50Hz	5µA	.42mA

Hipot rating (one minute):	line-to-ground	1550 VAC
	line-to-line	1450 VDC

Operating frequency:	50/60 Hz
----------------------	----------

Rated voltage:	120/250 VAC
----------------	-------------

Fuse (not included):	Accepts one 5 x 20mm fuse (-1 models) or two 5 x 20mm fuses (-2 models)
----------------------	---

Terminals:	.250 (6.35mm) terminals (G1) 5" wire leads (EGG8)
------------	--

Minimum insertion loss in dB:

Line-to-ground in 50 ohm circuit

Current Rating	Frequency-MHz								
	.01	.05	.10	.15	.5	1	5	10	30

GG/GS Models

1A	12	23	29	32	41	47	50	50	55
3A	-	10	15	19	30	36	48	50	53
6A	-	1	4	10	16	22	36	40	50

HG Models

1A	12	23	29	32	40	40	28	22	18
3A	-	10	15	19	25	26	22	21	21
6A	-	4	10	14	18	18	14	14	14

Line-to-line in 50 ohm circuit

Current Rating	Frequency-MHz							
	.01	.15	.5	1	3	5	10	30

GG/GS Models

1A	1	3	14	23	41	47	50	44
3A	1	2	11	14	25	38	44	40
6A	1	2	10	13	23	33	39	42

HG Models

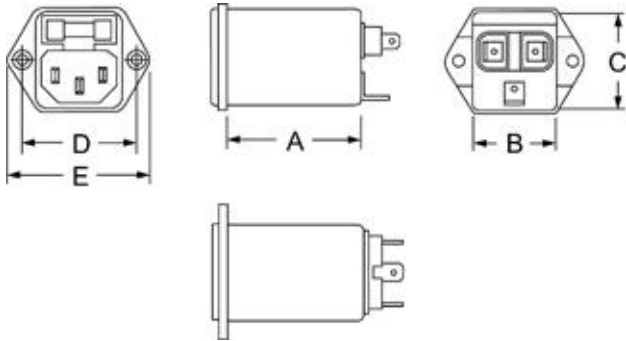
1A	1	3	26	35	35	35	27	20
3A	1	2	30	30	30	30	30	30
6A	1	2	30	30	30	30	30	30

Series GG/HG

Case Styles

Metric shown in italics.

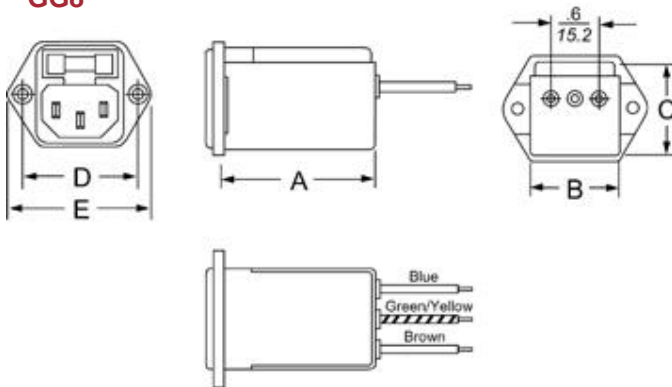
GG1/HG1



Typical dimensions

Terminals: $\frac{.250}{6.35}$ (3) Holes: $\frac{.07}{1.8}$ Dia. Mounting holes: $\frac{.126}{3.20}$ Dia. (2)

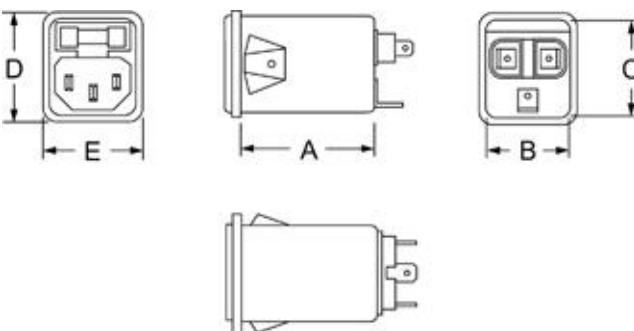
GG8



Typical dimensions

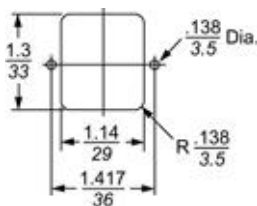
Wire leads: $\frac{5.0}{127}$ Min. Mounting holes: $\frac{.126}{3.20}$ Dia. (2)

EGS



Recommended Panel Cutout

Front or back mounting. Metric shown in italics.



Case Dimensions

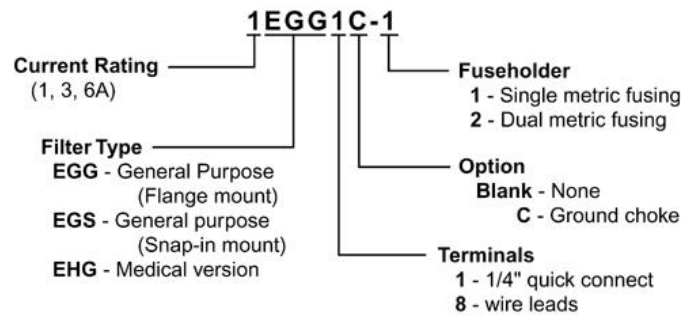
Metric shown in italics.

Part No.	A (max)	B (max)	C (max)	D $\frac{+.015}{-.38}$	E (max)
EGG1-1/EGG1-2	$\frac{1.66}{42.2}$	$\frac{1.13}{28.7}$	$\frac{1.29}{32.8}$	$\frac{1.417}{33.3}$	$\frac{1.76}{44.7}$
EGG8-1/EGG8-2	$\frac{2.02}{51.1}$	$\frac{1.13}{28.7}$	$\frac{1.29}{32.8}$	$\frac{1.417}{33.3}$	$\frac{1.76}{44.7}$
EGG1C-1/EGG1C-2	$\frac{2.02}{62.2}$	$\frac{1.13}{28.7}$	$\frac{1.29}{32.8}$	$\frac{1.417}{33.3}$	$\frac{1.76}{44.7}$
EGG8C-1/EGG8C-2	$\frac{2.02}{51.1}$	$\frac{1.13}{28.7}$	$\frac{1.29}{32.8}$	$\frac{1.417}{33.3}$	$\frac{1.76}{44.7}$
EGS1-1/EGS1-2	$\frac{1.50}{38.1}$	$\frac{1.13}{28.7}$	$\frac{1.29}{32.5}$	$\frac{1.46}{37.1}$	$\frac{1.42}{36.1}$

*HG 1-2 models same as GG 1-2.

Ordering Information

Consult your local Corcom sales representative for pricing.



Available Part Numbers

1EGG1-1	3EGG1-1	6EGG1-1
1EGG1-2	3EGG1-2	6EGG1-2
1EGG8-1	3EGG8-1	6EGG8-1
1EGG8-2	3EGG8-2	6EGG8-2
1EGG1C-1	3EGG1C-1	6EGG1C-1
1EGG1C-2	3EGG1C-2	6EGG1C-2
1EGG8C-1	3EGG8C-1	6EGG8C-1
1EGG8C-2	3EGG8C-2	6EGG8C-2
1EHG1-2	3EHG1-2	6EHG1-2
1EGS1-1	3EGS1-1	6EGS1-1
1EGS1-2	3EGS1-2	6EGS1-2