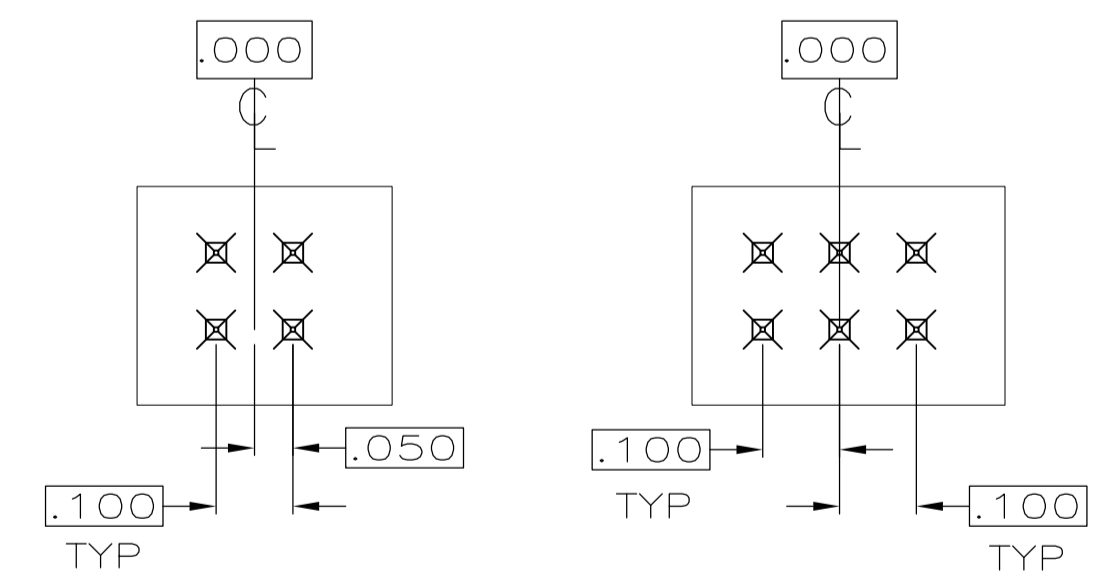
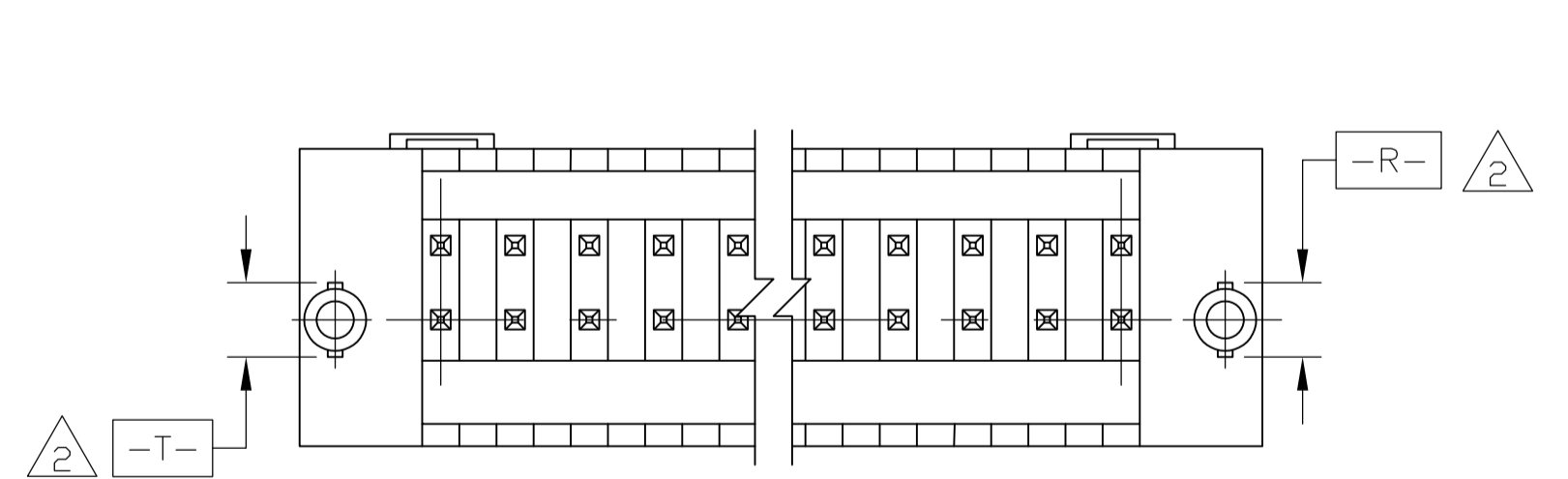
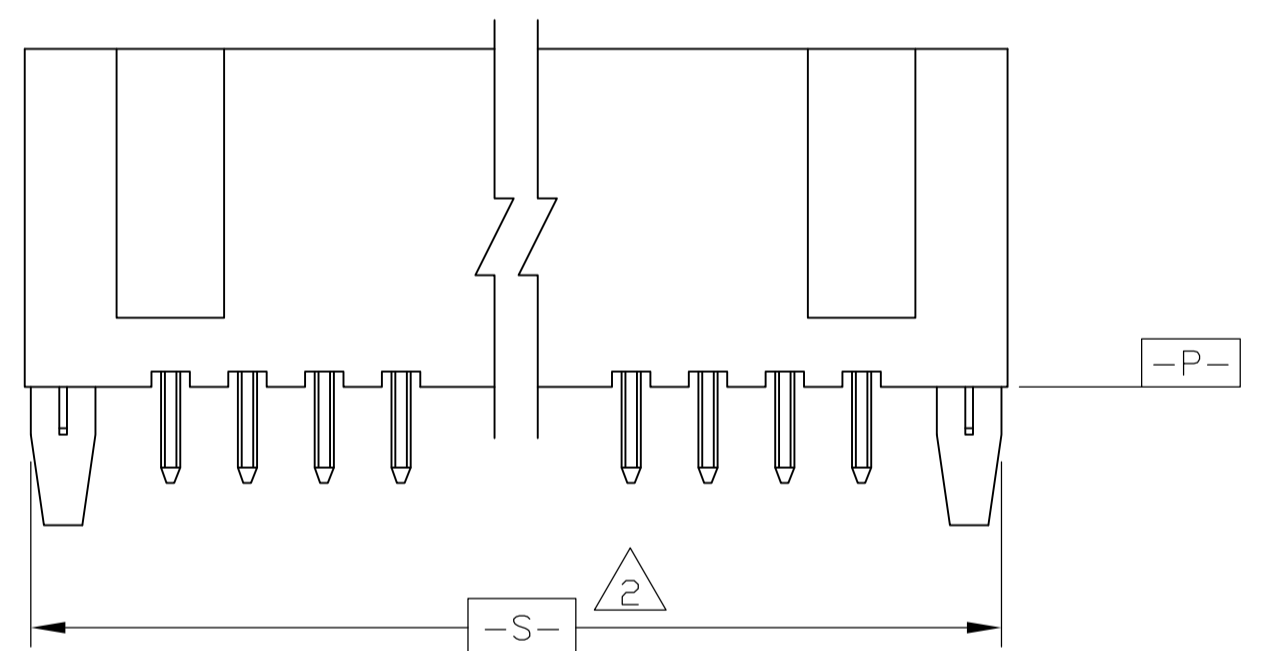
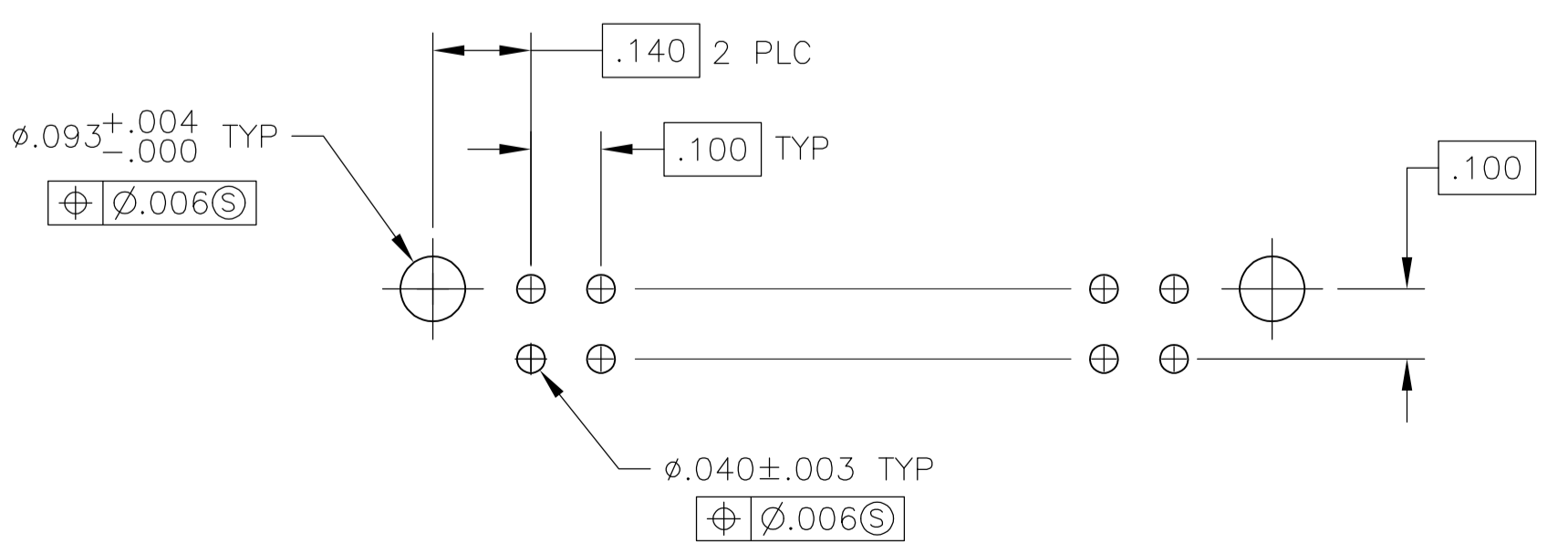


SECTION X-X



BASIC DIMENSION FOR ODD NO. OF SPACES (SEE TABLE) BASIC DIMENSION FOR EVEN NO. OF SPACES (SEE TABLE) DETAIL Z



RECOMMENDED HOLE LAYOUT

- 1 THE NOTED DIMENSIONS APPLY AT THE INTERSECTION OF THE POST AND HOUSING
- 2 THE NOTED DIMENSIONS APPLY AT THE INTERSECTION WITH DATUM -P-
- 3 POINT OF MEASUREMENT FOR PLATING THICKNESS
- 4 PRELIMINARY PART - NOT RELEASED FOR PRODUCTION.
- 5 MATERIAL: HOUSING- FLAME RETARDANT THERMOPLASTIC, COLOR- BLACK POST- PHOS BRONZE
- 6 FINISH: POST- .000015 GOLD IN CONTACT AREA, .000100-.000200 MATTE TIN-LEAD ON SOLDERTAIL, ALL OVER .000050 NICKEL
- 7 FINISH: POST- .000015 GOLD IN CONTACT AREA, .000100-.000200 MATTE TIN ON SOLDERTAIL, ALL OVER .000050 NICKEL
- 8 OBSOLETE PARTS: OBSOLETE CIS STREAMLINING PER D.RENAUD/D.SINISI

8	OBSOLETE	1.900	1.600	16	34	6-104317-8
8	OBSOLETE	2.000	1.700	17	36	6-104317-7
		1.000	.700	7	16	6-104317-6
		2.300	2.000	20	42	6-104317-5
8	OBSOLETE	2.700	2.400	24	50	6-104317-4
8	OBSOLETE	2.600	2.300	23	48	6-104317-3
		2.200	1.900	19	40	6-104317-2
		1.800	1.500	15	32	6-104317-1
		1.700	1.400	14	30	6-104317-0
		1.500	1.200	12	26	5-104317-9
8	OBSOLETE	1.400	1.100	11	24	5-104317-8
		1.300	1.000	10	22	5-104317-7
		1.200	.900	9	20	5-104317-6
		1.100	.800	8	18	5-104317-5
8	OBSOLETE	.900	.600	6	14	5-104317-4
		.800	.500	5	12	5-104317-3
		.700	.400	4	10	5-104317-2
		.500	.200	2	6	5-104317-1
		.600	.300	3	8	4-104317-9
8	OBSOLETE	1.900	1.600	16	34	1-104317-8
8	OBSOLETE	2.000	1.700	17	36	1-104317-7
		1.000	.700	7	16	1-104317-6
		2.300	2.000	20	42	1-104317-5
8	OBSOLETE	2.700	2.400	24	50	1-104317-4
8	OBSOLETE	2.600	2.300	23	48	1-104317-3
		2.200	1.900	19	40	1-104317-2
		1.800	1.500	15	32	1-104317-1
		1.700	1.400	14	30	1-104317-0
		1.500	1.200	12	26	104317-9
		1.400	1.100	11	24	104317-8
		1.300	1.000	10	22	104317-7
		1.200	.900	9	20	104317-6
		1.100	.800	8	18	104317-5
		.900	.600	6	14	104317-4
8	OBSOLETE	.800	.500	5	12	104317-3
		.700	.400	4	10	104317-2
		.500	.200	2	6	104317-1

8	SUPERSEDED BY 6-104317-0	6	104317-1
8	SUPERSEDED BY 5-104317-7	7	104317-6
8	SUPERSEDED BY 5-104317-5	5	104317-4
8	SUPERSEDED BY 5-104317-3	3	104317-2
8	SUPERSEDED BY 5-104317-1	1	104317-1

THIS DRAWING IS A CONTROLLED DOCUMENT.		DIN H MOLL 10-19-87	TE Connectivity	
DIMENSIONS: INCHES		CHK R FEJDT 10-19-87	NAME	
TOLERANCES UNLESS OTHERWISE SPECIFIED:		APVD	PRODUCT SPEC	
0 PLC	± -		APPLICATION SPEC	
1 PLC	± -		SIZE	CAGE CODE
2 PLC	± -		A1	00779
3 PLC	± .005		DRAWING NO	104317
4 PLC	± -		RESTRICTED TO	
ANGLES	± -		WEIGHT	
			CUSTOMER DRAWING	SCALE 4:1 SHEET 1 OF 1 REV K2