

Tm-1500

Thulium Touch Computing Series



Elegant highly crafted aluminum 15 inch touch enabled display suitable to interact with clients.

HDMI interface to connect to external second display for group presentations.

Integrated multireader that reads SD, XD, MMC, MS and all their variants.

Dual LAN and optional mini-PCIe wireless expansion for communication.



System

CPU	AMD embedded dual core CPU
Memory	2x DDR2 SO-DIMM Max. 4GB
Chipset	AMD M780E + SB710
Audio	2 Watt amplified speaker L/R
BIOS	AMI BIOS
Supported OS	Linux 2.6.x, Windows XP/Vista/7

Interfaces

Connectors	multireader, RS-232, DC-in, USB (4x), Marvell Gigabit LAN(2x) HDMI upto 1080i, eSATA (2x)
------------	---

Display

Screen	15" LCD display
Resolution	1024 x 768 pixels
Maximum colors	16.2 million
Luminance	250 cd/m ²
Touchscreen	5 wire resistive

Power

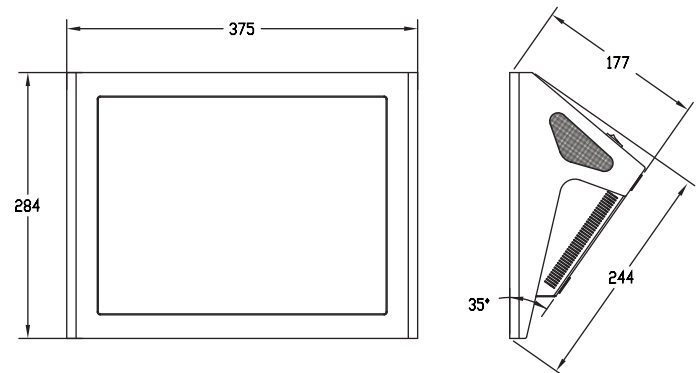
Input power	12 VDC
-------------	--------

Environmental and Mechanical

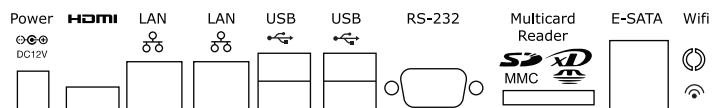
Temperature	0° to 50° C
Humidity	10-90%
Dimensions	375 x 244 x 177 mm 14¾ x 9½ x 7 inch
MTBF	>50,000 hours
Weight	6.25 Kg
Certification	CE, FCC, RoHS compliant

Dimensions

units in mm



rear IO panel interfaces



Order Information

Tm-1500-780-A15	Thulium 15" with Athlon X2 @ 1.5 GHz
-----------------	--------------------------------------

Options

Storage	2.5" SATA HDD Tray
Wireless LAN	mini-PCIe 802.11n
On board Storage	1 GB NAND Flash

TechNexion



Phone: +886-2-8227-3585
 E-mail: sales@technexion.com
 Web: <http://www.technexion.com>

