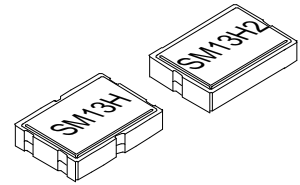




Pletronics, Inc.

19013 36th Ave. W, Suite H • Lynnwood, WA 98036 USA
 Manufacturer of High Quality Frequency Control Products

SM13H, SM13H2 Crystal



- 2 or 4 Pad 7x5mm Surface Mount Crystal (Ceramic Cover / Ceramic Base)
- SM13H Solder Pad Compatible with our SM13T

9.000 MHz – 120.000 MHz

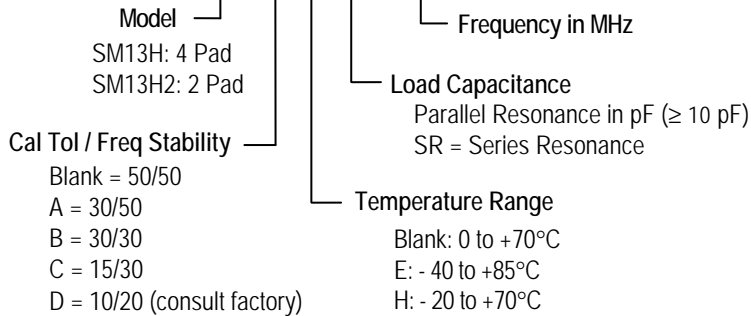
Standard Specifications

Calibration Frequency Tolerance at 25°C	± 50 PPM is standard, tighter tolerances available
Operating Temperature Range (OTR)	0 to +70°C is standard, but can be extended to -40 to +85°C
Frequency Stability (FS) over OTR	± 50 PPM is standard, tighter tolerances available
Drive Level	100 mW is standard, customer may specify
Aging at 25°C	± 5 PPM maximum

Part Numbering Guide

Portions of the part number that appear after the frequency may not be marked on part (C of C provided)

SM13H B E - xx - 70.0M - XXX (Internal Code or blank)



ESR Values

Oscillation Mode	Frequency Range (MHz)	Maximum ESR (Ohms)
Fundamental AT Cut	9.000 – 12.000	80
AT Cut	12.001 – 40.000	50
3rd Overtone AT Cut	25.001 – 120.000	80

Consult factory for lower ESR

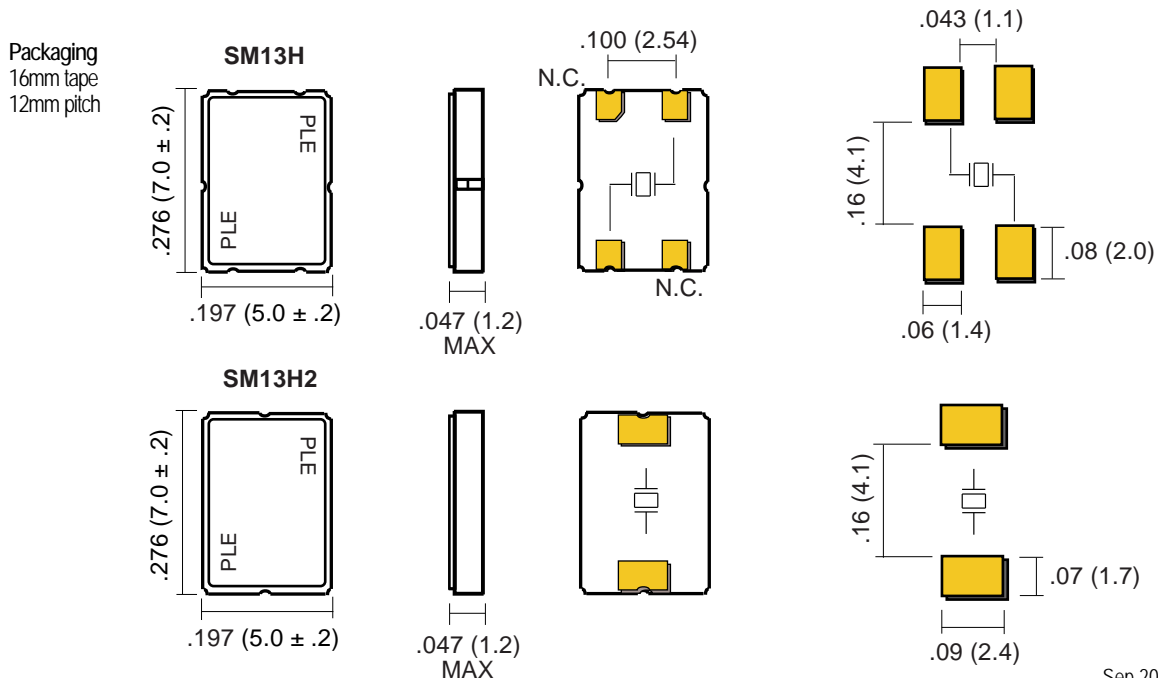
Consult factory for available frequencies and specs. Not all options available for all frequencies. A special part number may be assigned.

Mechanical: inches (mm)

not to scale

Solder Pads

Due to part size and factory abilities, part marking may vary from lot to lot and may contain our part number or an internal code.



Sep 2003