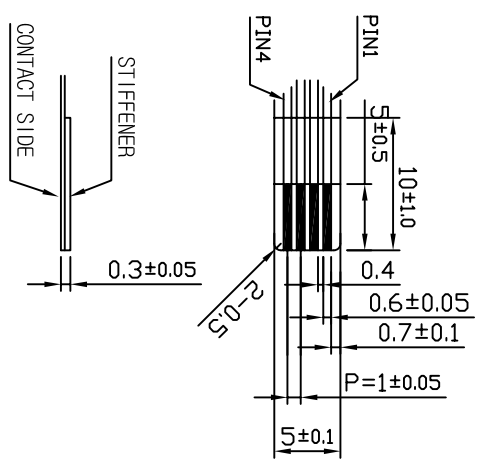
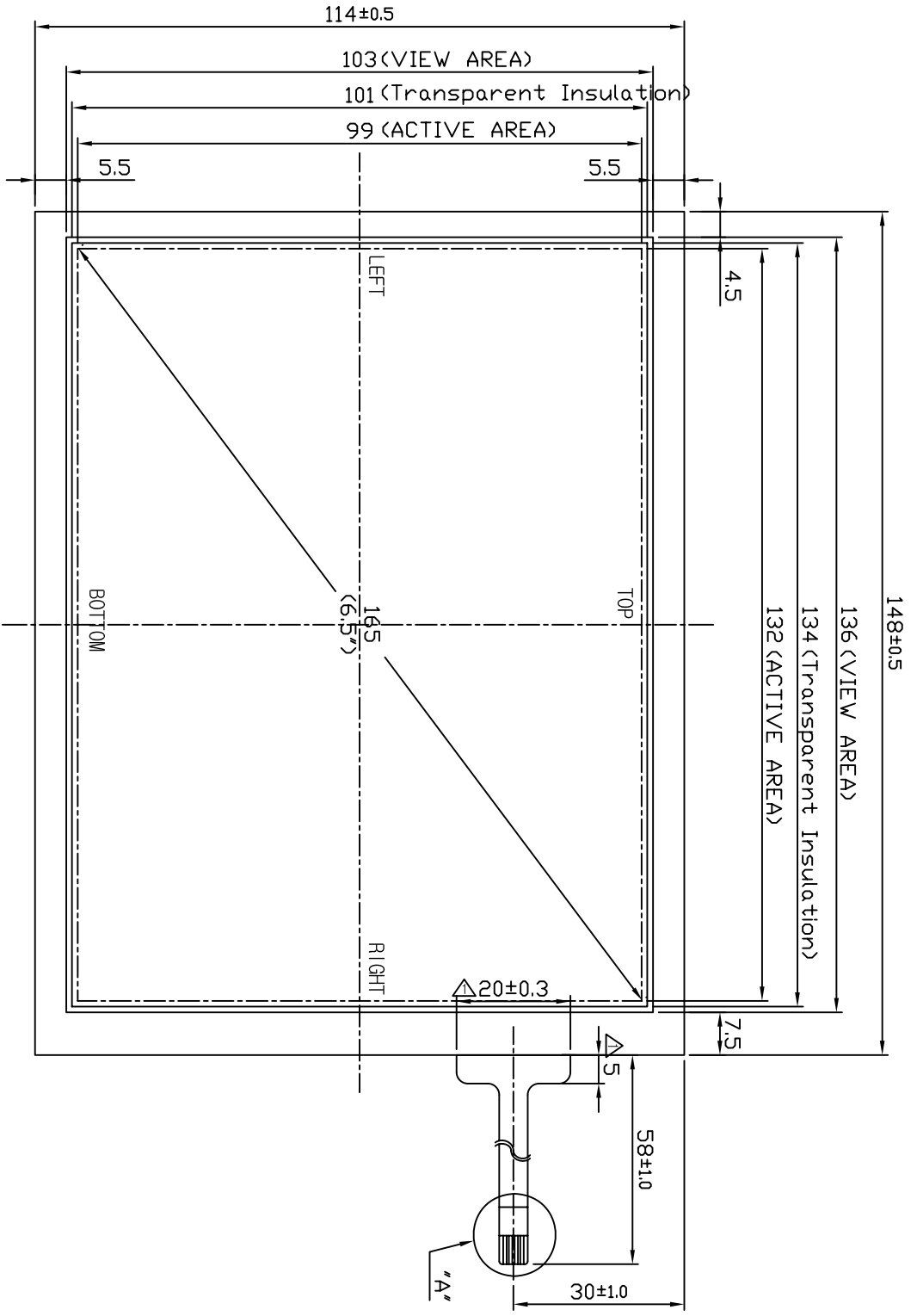


REV. NO.	REVISED	DATE	DRAWN	CHECKED	APPROVED
0	NEW DRAW	01.01.17	W.J.KIM		
1	FPC change	05.08.10	K.B.KIM		

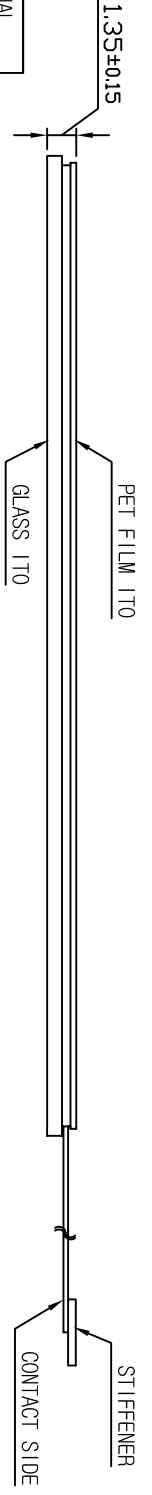


DETAIL "A"

NOTE

- 1) FILM TYPE : Non-glare TYPE
- 2) GLASS THICKNESS : 1.11
- 3) CONNECTOR : FPC

NO	SYMBOL	TERMINAL
1	LEFT	
2	TOP	
3	RIGHT	
4	BOTTOM	



6.5인치 TOUCH PANEL

SCALE : NONE

APPROVE	UNIT	PROJECTION	DRAWING NO.	REV.
	mm		HT065A-NDJHC60-R	
CHECKE	SCALE		DESCRIPTION	SHEET
DESIGN	mm		6.5" TOUCH PANEL	1/1
DRAW				

