

**MTG-GS-252**  
 DO NOT SCALE PRINT  
 REPLACES (M) GS SERIES CHART 1  
 DRAWING NUMBER CO/542  
 ISSUE 2  
 RELEASE NUMBER  
 REVISIONS  
 2 CO/703  
 IW 11/98  
 7/98  
 I. WEIR  
 CHECK  
 DESIGN  
 AUTHOR: N

**Honeywell**  
**GLOBAL SAFETY SWITCH MTG-GS-252**  
 CATALOGUE LISTING CHART NO.

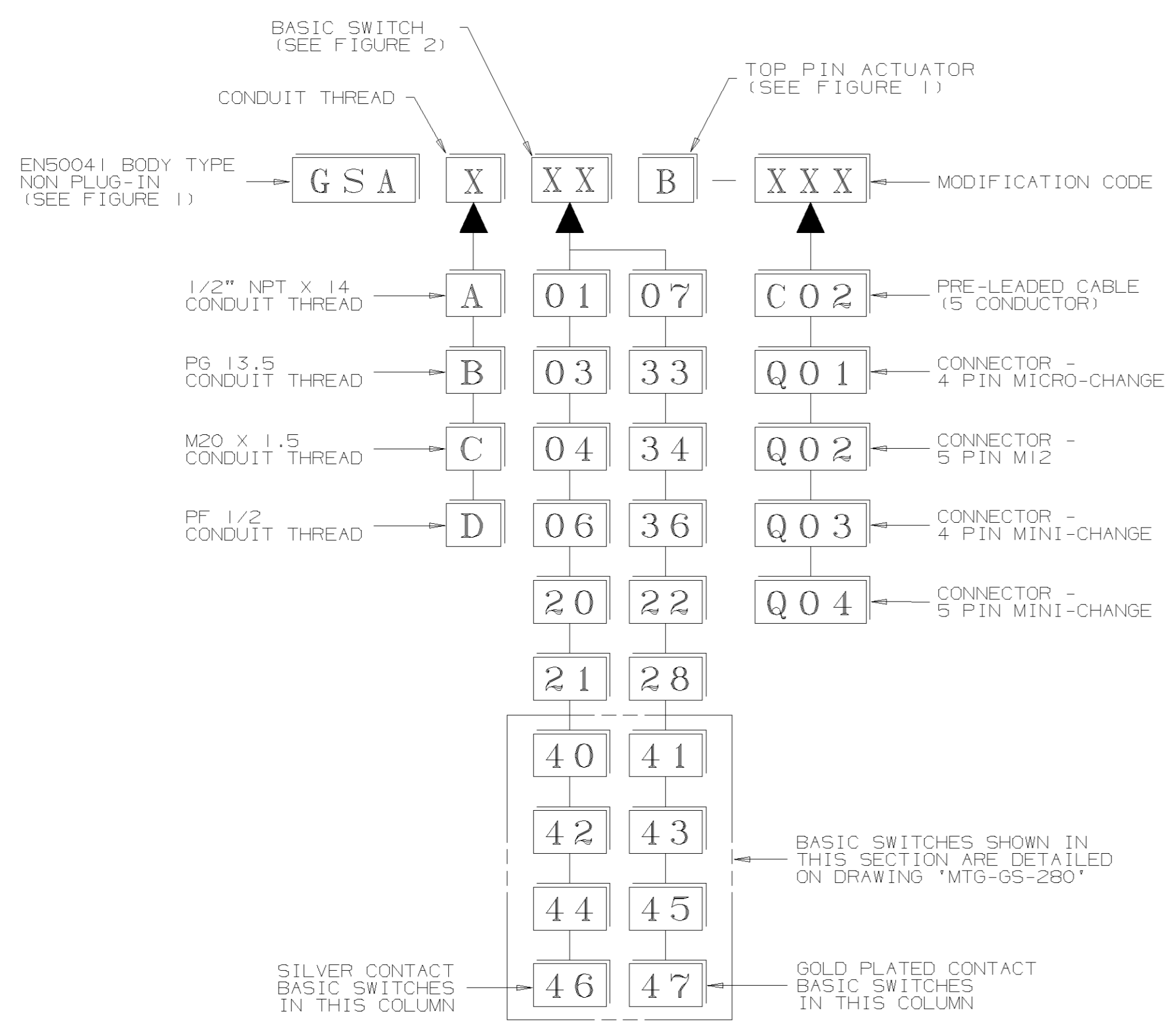
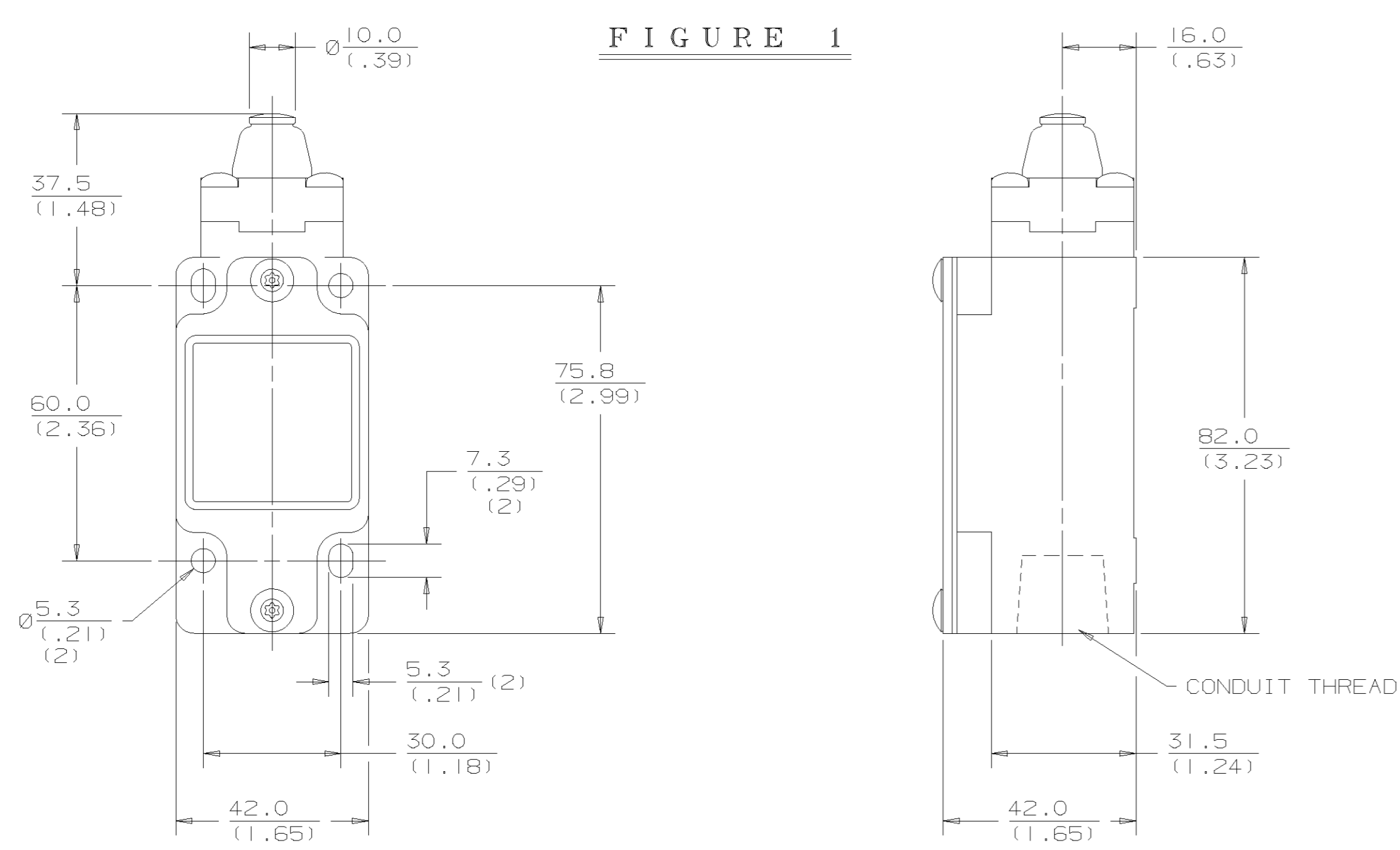
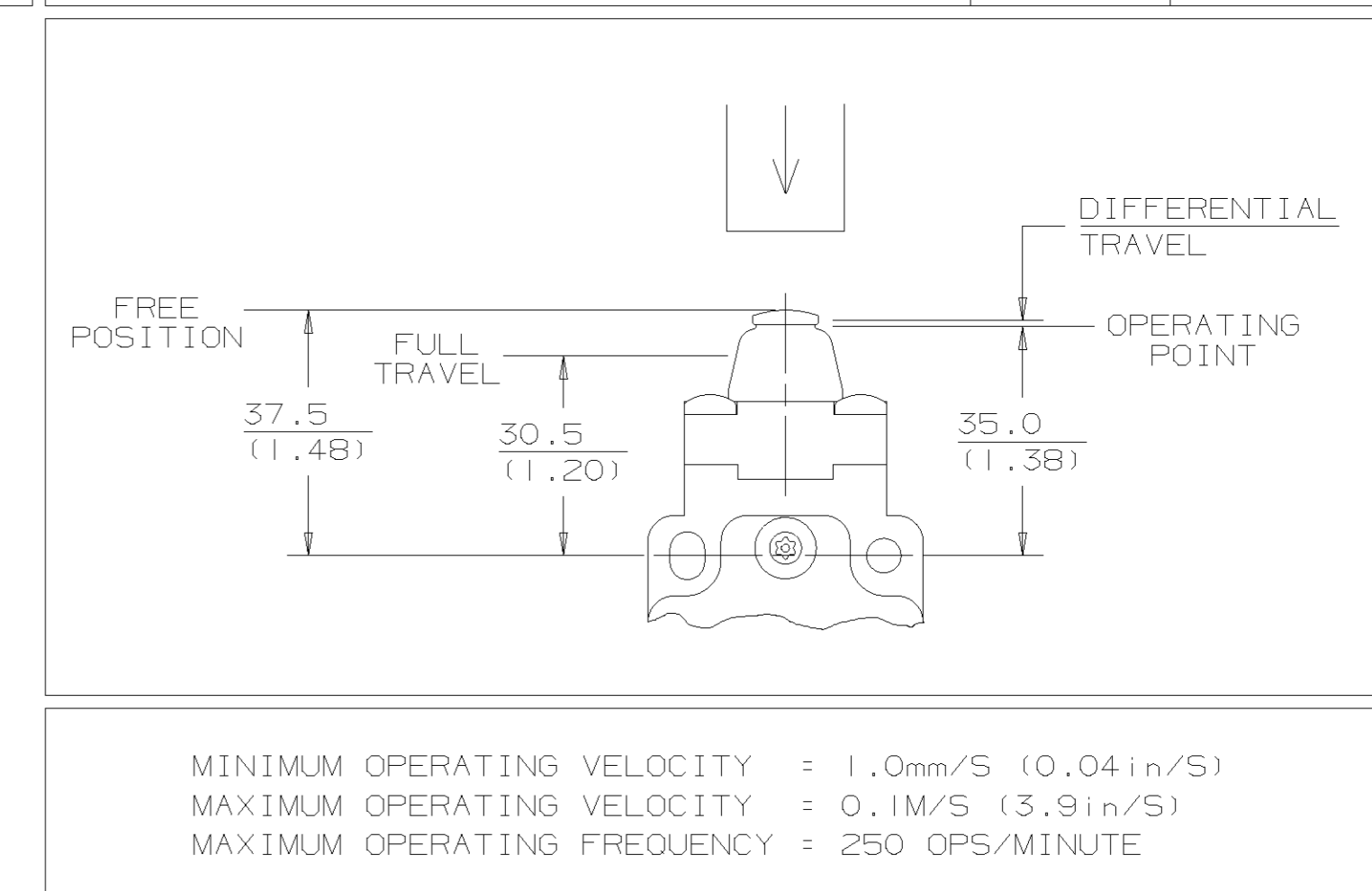


FIGURE 2		PIN ACTUATION		
BASIC SWITCH	CONTACT BLOCK DIAGRAM	NOMINAL TRAVELS AND RELATED TERMINALS - CONTACT CLOSED    - CONTACT OPEN    - CONTACT CLOSED DIFFERENTIAL TRAVEL, ** POSITIVE OPENING TO IEC 947-5-1 DIMENSIONS IN mm	MAXIMUM OPERATING FORCE N/LB	MAXIMUM DISCONNECT FORCE N/LB
01 07	SNAP ACTION SINGLE POLE	37.5 F.P. 35 33** 30.5 O.T. → 21-22 13-14 ← 0.9 DIFFERENTIAL TRAVEL	16 / 3.6	27 / 6.0
03 33	SLOW ACTION BREAK BEFORE MAKE	37.5 F.P. 35 33** 30.5 O.T. → 21-22 13-14 ← 0.9 DIFFERENTIAL TRAVEL	16 / 3.6	27 / 6.0
04 34	SLOW ACTION MAKE BEFORE BREAK	37.5 F.P. 34 32** 30.5 O.T. → 21-22 13-14 ← 0.9 DIFFERENTIAL TRAVEL	16 / 3.6	27 / 6.0
06 36	SLOW ACTION 2 NORMALLY CLOSED	37.5 F.P. 35 33** 30.5 O.T. → 21-22 11-12 ← 0.9 DIFFERENTIAL TRAVEL	16 / 3.6	27 / 6.0
20 22	SNAP ACTION DOUBLE POLE	37.5 F.P. 35 33** 30.5 O.T. → 11-12, 21-22 13-14, 23-24 ← 0.9 DIFFERENTIAL TRAVEL	16 / 3.6	37 / 8.2
21 28	SNAP ACTION DOUBLE POLE SEQUENTIAL	37.5 F.P. 35 33** 30.5 O.T. → 11-12 21-22 23-24 ← 0.8 DIFFERENTIAL TRAVEL	16 / 3.6	27 / 6.0



IEC 947-5-1 ELECTRICAL RATING						GOLD PLATED CONTACTS		ENVIRONMENTAL		APPROVALS	
SILVER CONTACTS						I <sub>th</sub> = 10A		IP67 NEMA/UL 1, 4, 12, 13		  IEC 947-5-1 EN50041	
AC		AC (FOR 2NC)		DC							
A600 U <sub>e</sub>	AC15 I <sub>e</sub>	A500 U <sub>e</sub>	AC15 I <sub>e</sub>	Q300 U <sub>e</sub>	DC13 I <sub>e</sub>	1V 10μA MIN.		TEMP RANGE : -25°C TO 85°C -13°F TO 185°F			
120	6	120	6	24	2.8	50V 100mA MAX.		STORAGE : -40°C TO 85°C -40°F TO 185°F			
240	3	240	3	125	0.55			SHOCK : 50G PER IEC 68-2-27			
380	1.9	380	1.9	250	0.27			VIBRATION : 10G PER IEC 68-2-6			
480	1.5	480	1.5								
500	1.4	500	1.4								
600	1.2										

- NOTES :-
- RED EPOXY PAINT FINISHED ZINC DIE-CAST BODY AND STEEL COVER. BLACK EPOXY PAINT FINISHED ZINC DIE-CAST HEAD.
  - FREE POSITION (F.P.), OPERATING POINT, OVERTRAVEL (O.T.) AND PRETRAVEL ALL TO EN50041.
  - ANY STANDARD LISTING WITH SUFFIX 'RS' OR 'FE' IS PERMITTED.
  - FOR CONNECTION DIAGRAMS AND ADDITIONAL ELECTRICAL, DIMENSIONAL AND ENVIRONMENTAL INFORMATION REFER TO DRAWING GL-49212.
  - HEAD AND COVER FIXED WITH TORX® SOCKET HEAD SCREWS (DRIVER SUPPLIED).

NO CHANGES CAN BE MADE TO THIS DRAWING WITHOUT JOINT NEWHOUSE/FREEPORT APPROVAL