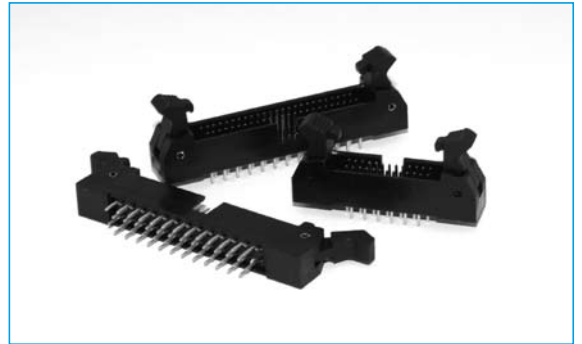


## IDC

- Industry compatible
- Competitively priced
- Various Plating contacts available
- 1.27 mm pitch
- Long or Short Latch
- 2.54mm row spacing

## SHROUDED LATCHED HEADER STRAIGHT 1.27mm



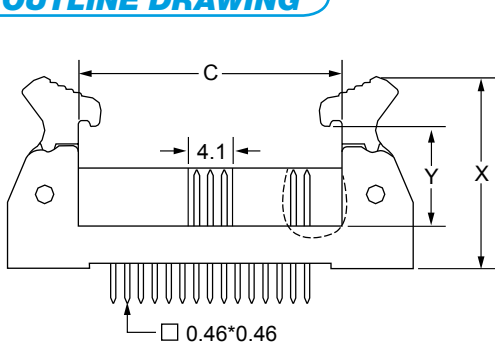
### SPECIFICATION

#### Material & Finish

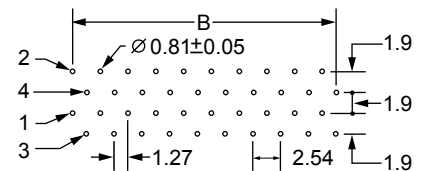
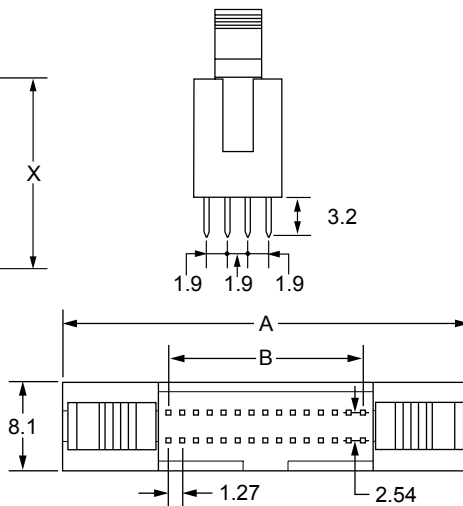
|   |                                       |
|---|---------------------------------------|
| <b>Contact Material:</b>                | Phosphor Bronze                       |
| <b>Insulator Material:</b>              | PBT, Glass Reinforced, rated UL-94V-0 |
| <b>Current Rating:</b>                  | 1 Amp                                 |
| <b>Contact Resistance:</b>              | 30M $\Omega$ Max.                     |
| <b>Insulator Resistance:</b>            | 1000M $\Omega$ Min.                   |
| <b>Dielectric Withstanding Voltage:</b> | 250V AC for One Minute                |
| <b>Operating Temperature:</b>           | -40°C to + 105°C                      |

| Position | A     | B     | C     |
|----------|-------|-------|-------|
| 10       | 24.50 | 5.08  | 11.46 |
| 20       | 30.85 | 11.43 | 17.81 |
| 26       | 34.66 | 15.24 | 21.62 |
| 30       | 37.20 | 17.78 | 24.16 |
| 34       | 39.74 | 20.32 | 26.70 |
| 40       | 43.55 | 24.13 | 30.51 |
| 50       | 49.90 | 30.48 | 36.86 |
| 60       | 56.25 | 36.83 | 43.21 |
| 68       | 61.33 | 41.91 | 48.29 |
| 70       | 62.60 | 43.18 | 49.56 |
| 80       | 68.95 | 49.53 | 55.91 |
| 90       | 75.30 | 55.88 | 62.26 |
| 100      | 81.65 | 62.23 | 68.61 |

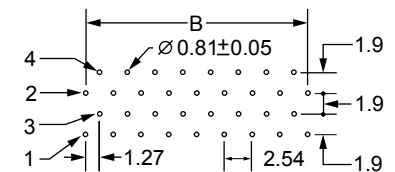
### OUTLINE DRAWING



| ACCESSORIES | X    | Y     |
|-------------|------|-------|
| Long Latch  | 19.0 | 10.65 |
| Short Latch | 17.5 | 8.0   |



P.C. BOARD LAYOUT FOR 20,40,60,68,80,100



P.C. BOARD LAYOUT FOR 10,26,30,34,50,70,90

### ORDERING INFORMATION

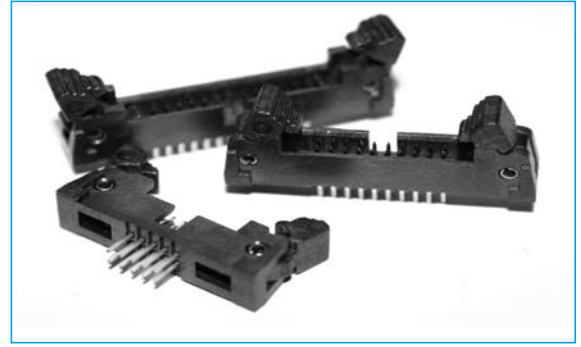
| DBC                 | IDC           | C7B    | 30   | B                 | G   | A                             | 1       |
|---------------------|---------------|--------|--|-------------------|---|-------------------------------|---------|
| Dubilier Connectors | IDC Connector | Series | N° of Ways   | Contact Material  | Contact Plating   | Features                      | Colour  |
|                     |               |        | 10=10way<br>20=20way<br>26=26way<br>30=30way<br>34=34way<br>40=40way<br>50=50way | B=Phosphor Bronze | G= Gold Flash<br>S=Selective<br>*=Other Plating available | A=Long Latch<br>b=Short Latch | 1=Black |
|                     |               |        | 60=60way<br>68=68way<br>70=70way<br>80=80way<br>90=90way<br>100=100way           |                   |   |                               |         |



**IDC**

**SHROUDED LATCHED HEADER 1.27mm**

- Industry compatible
- Competitively priced
- Various Plating contacts available
- 1.27mm pitch
- Long or short latch



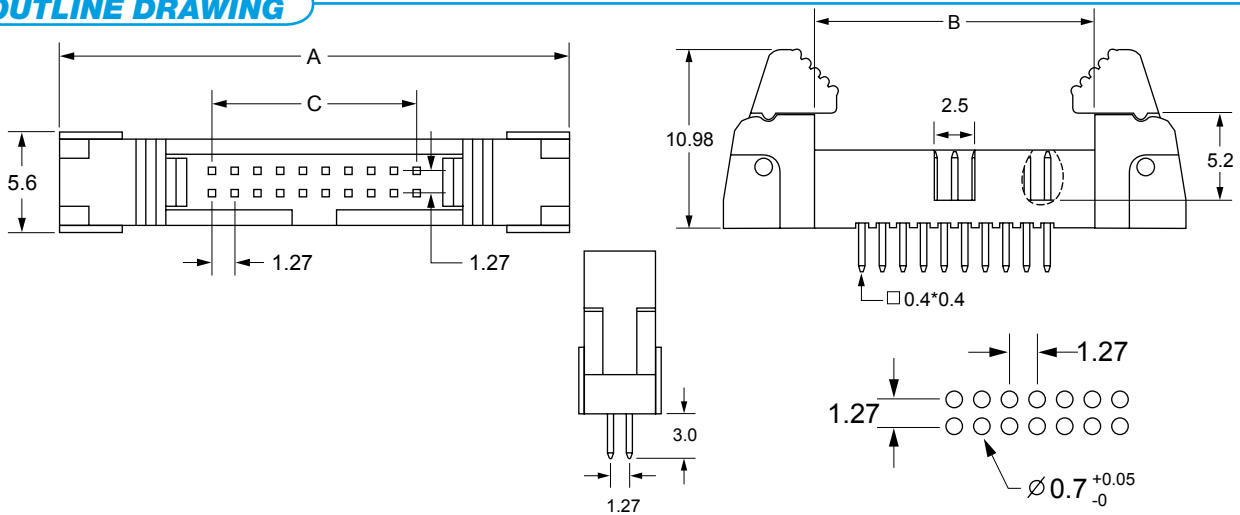
**SPECIFICATION**

**Material & Finish**

- Contact Material:** Phosphor Bronze
- Insulator Material:** Nylon 6T, glass reinforced, rated UL 94V-0
- Current Rating:** 1 Amp
- Contact Resistance:** 30M  $\Omega$  Max.
- Insulator Resistance:** 1000M  $\Omega$  Min.
- Dielectric Withstanding Voltage:** 250V AC for One Minute
- Operating Temperature:** -40°C to + 105°C

| Position | A     | B     | C     |
|----------|-------|-------|-------|
| 10       | 22.12 | 10.86 | 5.08  |
| 12       | 23.39 | 12.13 | 6.35  |
| 14       | 24.66 | 13.40 | 7.62  |
| 16       | 25.93 | 14.67 | 8.89  |
| 20       | 28.47 | 17.21 | 11.43 |
| 22       | 29.74 | 18.48 | 12.70 |
| 26       | 32.28 | 21.02 | 15.24 |
| 30       | 34.82 | 23.56 | 17.78 |
| 34       | 37.36 | 26.10 | 20.32 |
| 40       | 41.17 | 29.91 | 24.13 |
| 44       | 43.71 | 32.45 | 26.67 |
| 50       | 47.52 | 36.26 | 30.48 |

**OUTLINE DRAWING**



SECTION 15

**ORDERING INFORMATION**

| DBC                 | IDC           | C42A   | 26   | B                 | G   | 1       |
|---------------------|---------------|--------|--|-------------------|---|---------|
| Dubilier Connectors | IDC Connector | Series | N° of Ways   | Contact Material  | Contact Plating   | Colour  |
|                     |               |        | 10=10way<br>12=12way<br>14=14way<br>20=20way<br>22=22way             | B=Phosphor Bronze | G= Gold Flash<br>S=Selective<br>*=Other Plating available | 1=Black |
|                     |               |        | 26=26way<br>30=30way<br>34=34way<br>40=40way<br>44=44way<br>50=50way |                   |   |         |



**IDC**

- Industry compatible
- Competitively priced
- Various Plating contacts available
- 1.27mm pitch
- Long or Short latch

**SHROUDED LATCHED HEADER RIGHT ANGLED 1.27mm**



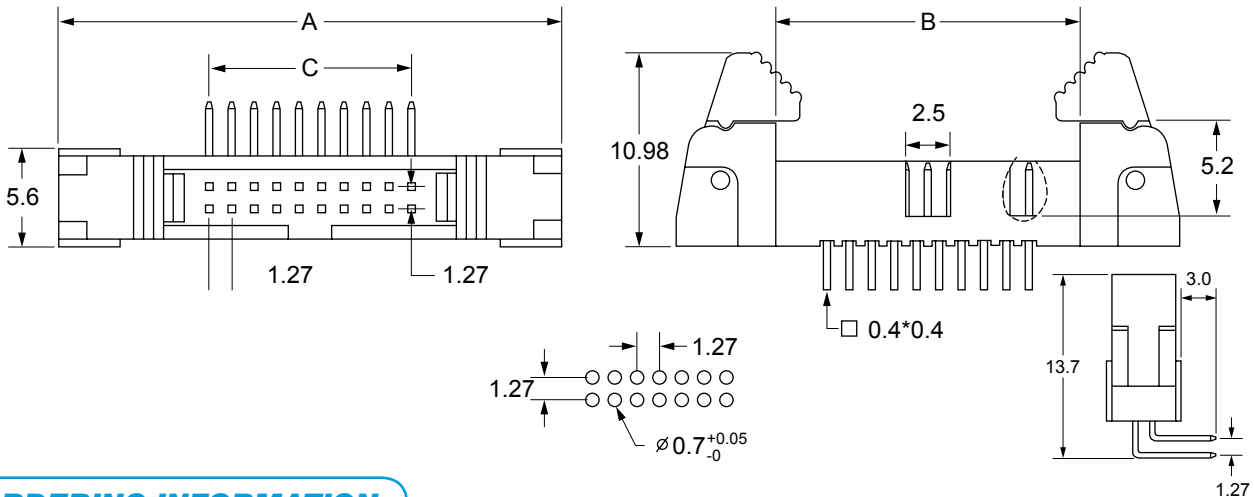
**SPECIFICATION**

**Material & Finish**

- Contact Material:** Phosphor Bronze
- Insulator Material:** Nylon 6T, glass reinforced, rated UL 94V-0
- Current Rating:** 1 Amp
- Contact Resistance:** 30M  $\Omega$  Max.
- Insulator Resistance:** 1000M  $\Omega$  Min.
- Dielectric Withstanding**
- Voltage:** 250V AC for One Minute
- Operating Temperature:** -40°C to + 105°C

| Position | A     | B     | C     |
|----------|-------|-------|-------|
| 10       | 22.12 | 10.86 | 5.08  |
| 12       | 23.39 | 12.13 | 6.35  |
| 14       | 24.66 | 13.40 | 7.62  |
| 16       | 25.93 | 14.67 | 8.89  |
| 20       | 28.47 | 17.21 | 11.43 |
| 22       | 29.74 | 18.48 | 12.70 |
| 26       | 32.28 | 21.02 | 15.24 |
| 30       | 34.82 | 23.56 | 17.78 |
| 34       | 37.36 | 26.10 | 20.32 |
| 40       | 41.17 | 29.91 | 24.13 |
| 44       | 43.71 | 32.45 | 26.67 |
| 50       | 47.52 | 36.26 | 30.48 |

**OUTLINE DRAWING**



SECTION 15

**ORDERING INFORMATION**

| DBC                 | IDC           | C43A   | 26   | B                 | G   | 1       |
|---------------------|---------------|--------|--|-------------------|---|---------|
| Dubilier Connectors | IDC Connector | Series | N° of Ways   | Contact Material  | Contact Plating   | Colour  |
|                     |               |        | 10=10way<br>12=12way<br>14=14way<br>16=16way<br>20=20way<br>22=22way | B=Phosphor Bronze | G= Gold Flash<br>S=Selective<br>*=Other Plating available | 1=Black |
|                     |               |        | 26=26way<br>30=30way<br>34=34way<br>40=40way<br>44=44way<br>50=50way |                   |   |         |



## IDC

- Industry compatible
- Competitively priced
- Various Plating contacts available
- 1.27mm pitch
- Long or Short latch

## SHROUDED LATCHED HEADER SMT 1.27mm



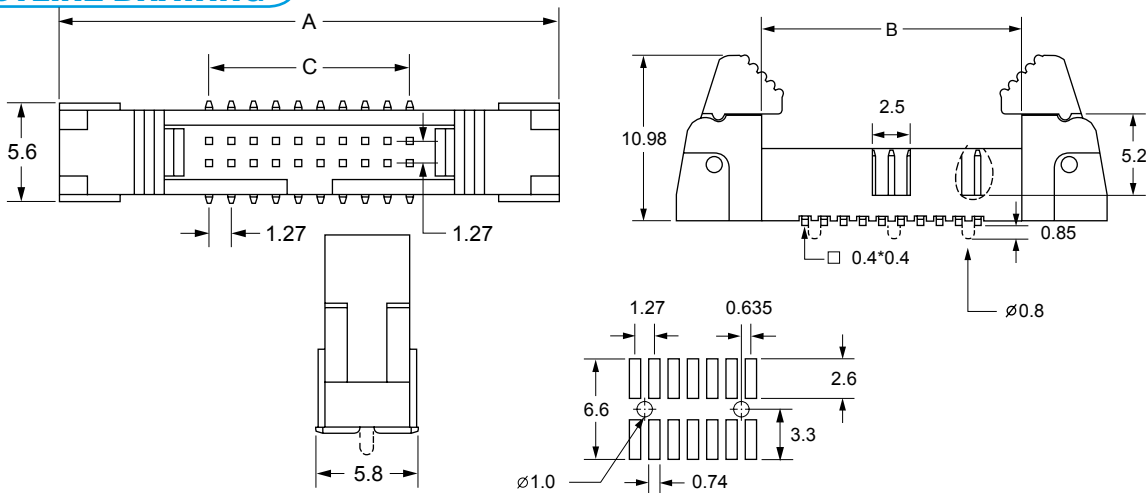
## SPECIFICATION

### Material & Finish

- Contact Material:** Phosphor Bronze
- Insulator Material:** Nylon 6T, glass reinforced, rated UL 94V-0
- Current Rating:** 1 Amp
- Contact Resistance:** 30M  $\Omega$  Max.
- Insulator Resistance:** 1000M  $\Omega$  Min.
- Dielectric Withstanding**
- Voltage:** 250V AC for One Minute
- Operating Temperature:** -40°C to + 105°C

| Position | A     | B     | C     |
|----------|-------|-------|-------|
| 10       | 22.12 | 10.86 | 5.08  |
| 12       | 23.39 | 12.13 | 6.35  |
| 14       | 24.66 | 13.40 | 7.62  |
| 16       | 25.93 | 14.67 | 8.89  |
| 20       | 28.47 | 17.21 | 11.43 |
| 22       | 29.74 | 18.48 | 12.70 |
| 26       | 32.28 | 21.02 | 15.24 |
| 30       | 34.82 | 23.56 | 17.78 |
| 34       | 37.36 | 26.10 | 20.32 |
| 40       | 41.17 | 29.91 | 24.13 |
| 44       | 43.71 | 32.45 | 26.67 |
| 50       | 47.52 | 36.26 | 30.48 |

## OUTLINE DRAWING



SECTION 15

## ORDERING INFORMATION

| DBC                 | IDC           | C44A   | 26   | B                 | G   | 1       |
|---------------------|---------------|--------|--|-------------------|---|---------|
| Dubilier Connectors | IDC Connector | Series | N° of Ways   | Contact Material  | Contact Plating   | Colour  |
|                     |               |        | 10=10way<br>12=12way<br>14=14way<br>16=16way<br>20=20way<br>22=22way | B=Phosphor Bronze | G= Gold Flash<br>S=Selective<br>*=Other Plating available | 1=Black |
|                     |               |        | 26=26way<br>30=30way<br>34=34way<br>40=40way<br>44=44way<br>50=50way |                   |   |         |