

**ebm-papst St. Georgen GmbH & Co. KG**

Hermann-Papst-Straße 1

D-78112 St. Georgen

Phone +49 7724 81-0

Fax +49 7724 81-1309

info2@de.ebmpapst.com

www.ebmpapst.com

Nominal data

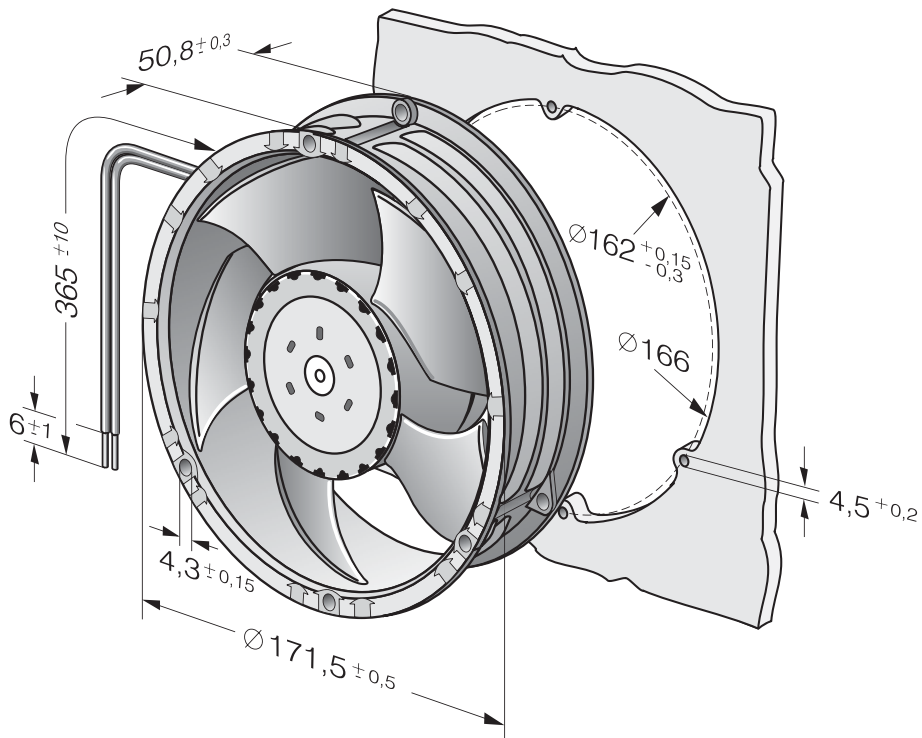
Type	6318 /2TDHP-299	
Nominal voltage	VDC	48
Nominal voltage range	VDC	36 .. 56
Speed	min ⁻¹	5500
Power input	W	42
Min. ambient temperature	°C	-20
Max. ambient temperature	°C	65
Air flow	m ³ /h	600
Sound power level	B	7.3
Sound pressure level	dB(A)	60

ml = max. load · me = max. efficiency · rfa = running at free air · cs = customer specs · cu = customer unit
Subject to alterations

Technical features

General description	<p>Particular design features:</p> <ul style="list-style-type: none"> Very smooth running 3-phase fan drive. Very rigid compression curve for high air flow at high counterpressure. Low operating noise level at high counterpressure. Standard with PWM control input and speed signal. Other inputs and outputs on request. <p>General features:</p> <ul style="list-style-type: none"> Housing made of aluminium, impeller made of fibreglass-reinforced PA; housing with grounding lug for M4 x 8 screw (Torx). Protected against reverse polarity and locking. Connection via single strands AWG 20, TR 64, bared and tin-plated. Air exhaust over bars. Direction of rotation counter-clockwise seen on rotor. Mass: 910 g.
Mass	0.91 kg
Dimensions	172 Ø x 51 mm
Lifetime L10 at 40 °C	75000 h
Lifetime L10 at maximum temperature	42500 h

Product drawing



Charts: Air flow

