

24-Port SAS Expander

FEATURES

GENERAL

- Flexible 24-port SAS Expander device
- Virtual SSP target/initiator port
- Low-latency connection arbitration
- Supports table routing of 1024 entries, direct routing and subtractive routing
- Integrated a non-blocking cross bar switch allowing any-port to any-port connections
- Arbitrary SAS wide port configurations
- STP bridge function allows either SAS or SATA target devices to be attached to any port
- Integrated RISC processor for SAS SMP functions and SES support
- Three configurable multi-master or slave mode TWI interfaces for device configuration and control of external interfaces
- UART interface for debugging support
- SFF-8485 compliant Serial GPIO (SGPIO) interface provides expansion for up to 144 GPIOs

HIGH-SPEED I/O

- 1.5 Gbit/s and 3.0 Gbit/s operation
- Automatic negotiation of link speed
- Accepts Spread Spectrum Clocking (SSC) from SATA HDDs
- Programmable transmit pre-emphasis and receiver equalization
- Programmable transmit output swing to support both SATA and SAS levels
- Integrated resistive termination and receiver AC coupling

STATISTICS & PERFORMANCE MONITORING

- Per-port error counters to provide comprehensive diagnostic functions
- Programmable performance monitoring counters and interrupt generation
- Each link incorporates PRBS and CJPAT pattern generators and checkers for link-integrity diagnostics

PHYSICAL

- Built in 0.13 μ m (1.2 V core and 3.3 V I/O supply) CMOS technology
- Packaged in a 27 mm x 27 mm 352-pin CSBGA

APPLICATIONS

- SAS/SATA Storage Enclosure
- SAS Fanout Expander

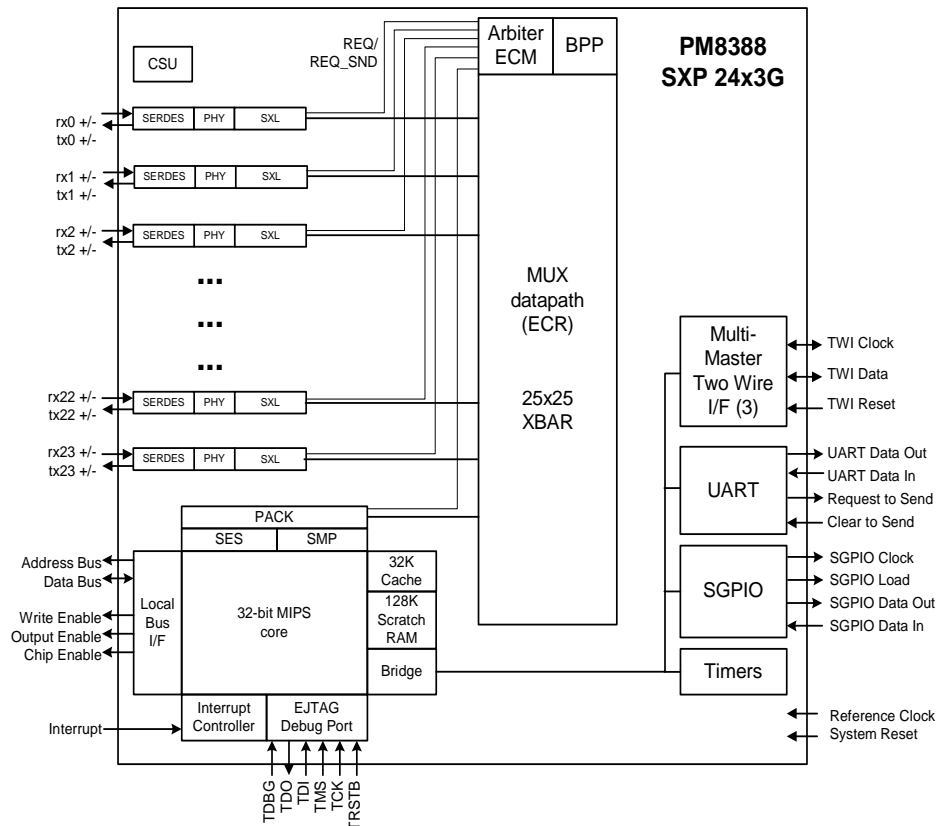
FIRMWARE DEVELOPMENT KIT

- SES API for utilizing SES pages and commands over the SAS link
- SCSI-3 API for underlying access to the SAS Port
- SAS link layer, SMP & SSP Transport Layer protocols
- SMP routing management including topology discovery
- API for downloading firmware over the SAS link
- Expander Diagnostics API
- Disk spin-up control
- Peripheral Drivers for TWI, UART, SGPIO, Timer

THIRD-PARTY SUPPORT

- ThreadX Operating System from Green Hills Software or Express Logic
- MULTI Development Environment and EJTAG Emulator from Green Hills Software

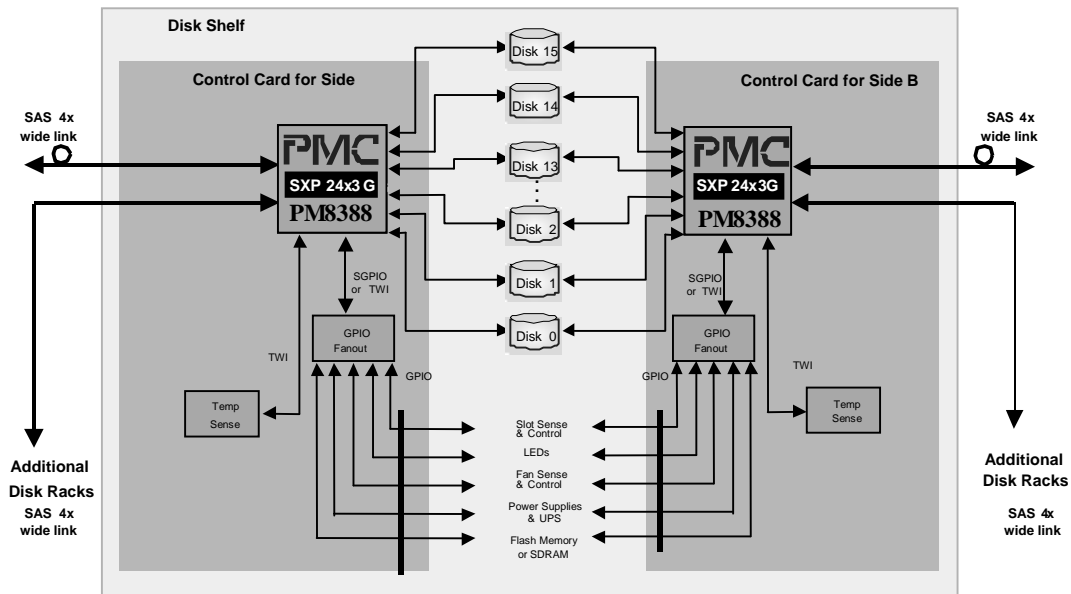
BLOCK DIAGRAM



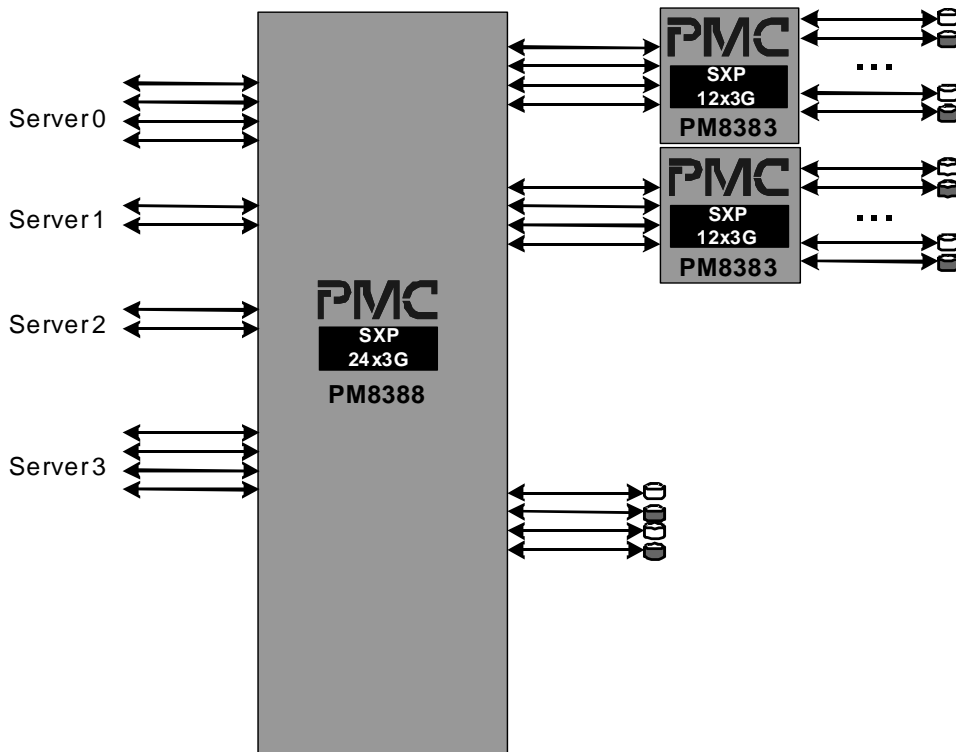
24-Port SAS Expander

TYPICAL APPLICATIONS

SAS HDD ENCLOSURE APPLICATION



FANOUT EXPANDER APPLICATION



Head Office:
 PMC-Sierra, Inc.
 8555 Baxter Place
 Burnaby, B.C. V5A 4V7
 Canada
 Tel: 1.604.415.6000
 Fax: 1.604.415.6200

To order documentation,
 send email to:
 document@pmc-sierra.com
 or contact the head office,
 Attn: Document Coordinator

All product documentation is available
 on our web site at:
 http://www.pmc-sierra.com
 For corporate information,
 send email to:
 info@pmc-sierra.com

PMC-2041219 (V1)
 © Copyright PMC-Sierra, Inc. 2004. All
 rights reserved. July 2004.

For a complete list of PMC-Sierra's
 trademarks and registered trademarks,
 visit: http://www.pmc-sierra.com/legal/