



## 10 dB Fixed Attenuator, 2.4mm Male To 2.4mm Female Stainless Steel Body Rated To 1 Watt Up To 50 GHz

**PE7089-10**

### 50 GHz 2.4mm Attenuator

The Pasternack PE7089 attenuator series are designed with stainless steel 2.4mm connectors for excellent performance to 50 GHz and 1 Watt. This high frequency attenuator family has a stainless steel round body construction with 9/32 flats for improved anti-torque installation and removal in a system. The high performance 50 GHz attenuator values are 3 dB, 6 dB, 10 dB, 15 dB, 20 dB and 30 dB for millimeter wave attenuator applications.

#### Configuration

Connector 1	2.4mm Male
Connector 2	2.4mm Female
Frequency Range (GHz)	DC to 50
Body Material and Plating	Stainless Steel, Passivated
Design	Fixed

#### Electrical Specifications

Frequency Range (GHz)	DC to 50
Impedance (Ohms)	50
Power, Max Input (Watt)	1
Standard Attenuation Values (dB)	10
VSWR Max Input	1.75:1

#### Frequency 1

Range (GHz)	DC to 26.5
Attenuation Accuracy (GHz)	0.5
VSWR	1.35:1

#### Frequency 2

Range (GHz)	26.5 to 40
Attenuation Accuracy (±dB)	1
VSWR	1.6:1

#### Frequency 3

Range (GHz)	40 to 50
Attenuation Accuracy (±dB)	1.5
VSWR	1.75:1

Click the following link for the additional product information:

[10 dB Fixed Attenuator, 2.4mm Male To 2.4mm Female Stainless Steel Body Rated To 1 Watt Up To 50 GHz PE7089-10](#)

Version C - Revision - © 2011 Pasternack Enterprises All Rights Reserved.



10 dB Fixed Attenuator, 2.4mm Male To 2.4mm Female Stainless Steel Body Rated To 1 Watt Up To 50 GHz

**PE7089-10**

**Mechanical Specifications**

Temperature Operating Range (deg C) -55 to +100  
Body Material and Plating Stainless Steel, Passivated

**Connector 1**

Type 2.4mm  
Gender Male  
Body Material and Plating Stainless Steel, Passivated  
Inner Conductor Material and Plating BeCu, Gold  
Outer Conductor Material and Plating Stainless Steel, Passivated  
Coupling Nut Material and Plating Stainless Steel, Passivated

**Connector 2**

Type 2.4mm  
Gender Female  
Body Material and Plating Stainless Steel, Passivated  
Inner Conductor Material and Plating BeCu, Gold  
Outer Conductor Material and Plating Stainless Steel, Passivated  
Coupling Nut Material and Plating Stainless Steel, Passivated

**Compliance Certifications** (visit [www.Pasternack.com](http://www.Pasternack.com) for current document)

RoHS Compliant Yes, by exemption

**Other Data**

URL: <http://www.pasternack.com/10db-fixed-2.4mm-male-2.4mm-female-1-watt-attenuator-pe7089-10-p.aspx>

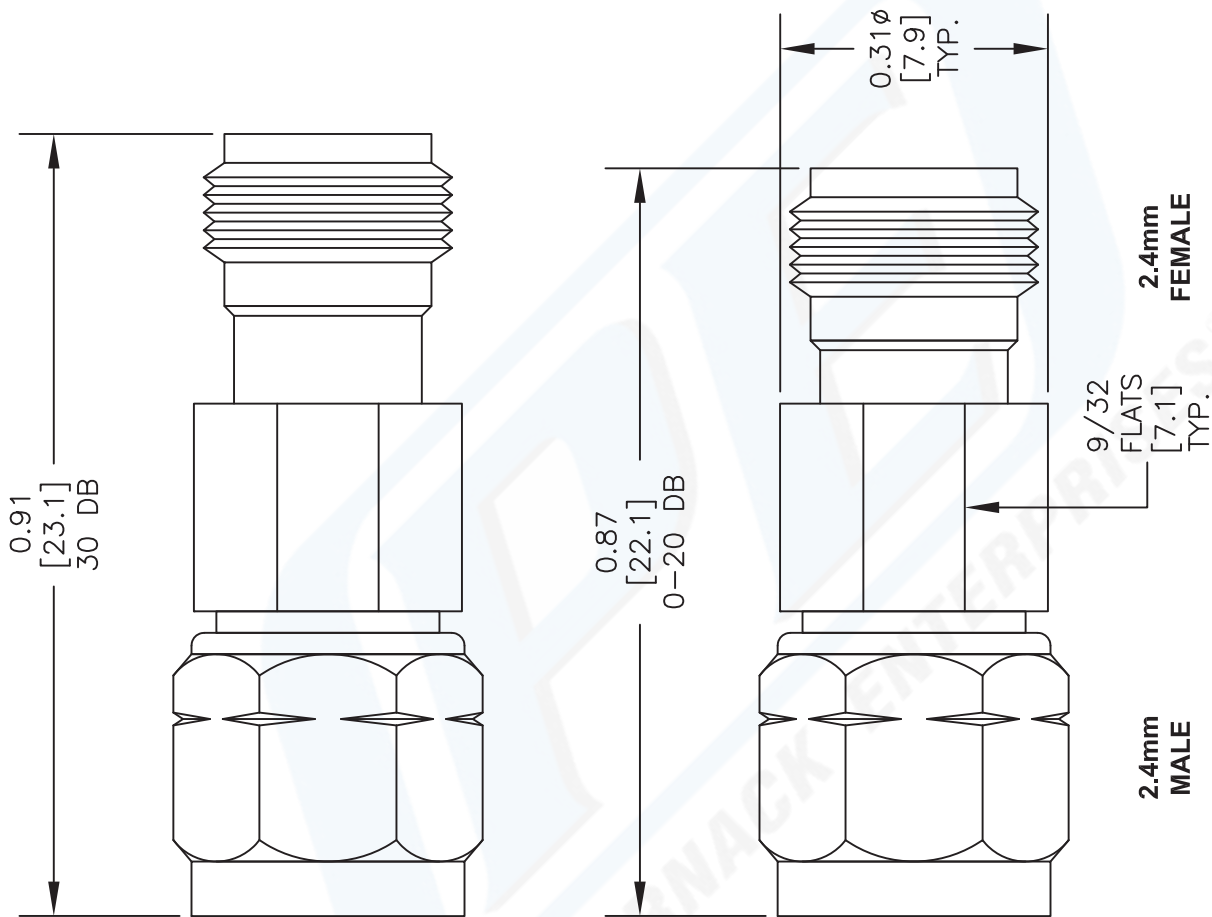
10 dB Fixed Attenuator, 2.4mm Male To 2.4mm Female Stainless Steel Body Rated To 1 Watt Up To 50 GHz from Pasternack Enterprises has same day shipment for domestic and International orders. Our RF, microwave and fiber optic products maintain a 99% availability and are part of the broadest selection in the industry.

Version C - Revision - © 2011 Pasternack Enterprises All Rights Reserved.



# PE7089-10 CAD Drawing

10 dB Fixed Attenuator, 2.4mm Male To 2.4mm Female Stainless Steel Body Rated To 1 Watt Up To 50 GHz



DWG TITLE

**PE7089**

NOTES:  
 1. UNLESS OTHERWISE SPECIFIED ALL DIMENSIONS ARE NOMINAL.  
 2. ALL SPECIFICATIONS ARE SUBJECT TO CHANGE WITHOUT NOTICE AT ANY TIME.  
 3. DIMENSIONS ARE IN INCHES [mm].

PASTERNAK ENTERPRISES, INC.

P.O. BOX 16759, IRVINE, CA 92623

PHONE (949) 261-1920 FAX (949) 261-7451

WEB ADDRESS: [www.pasternack.com](http://www.pasternack.com)

E-MAIL ADDRESS: [sales@pasternack.com](mailto:sales@pasternack.com)

COAXIAL & FIBER OPTICS



ESTABLISHED 1972

REV. -

FSCM NO. 53919

CAD FILE 061512

SCALE N/A

SIZE A

2233