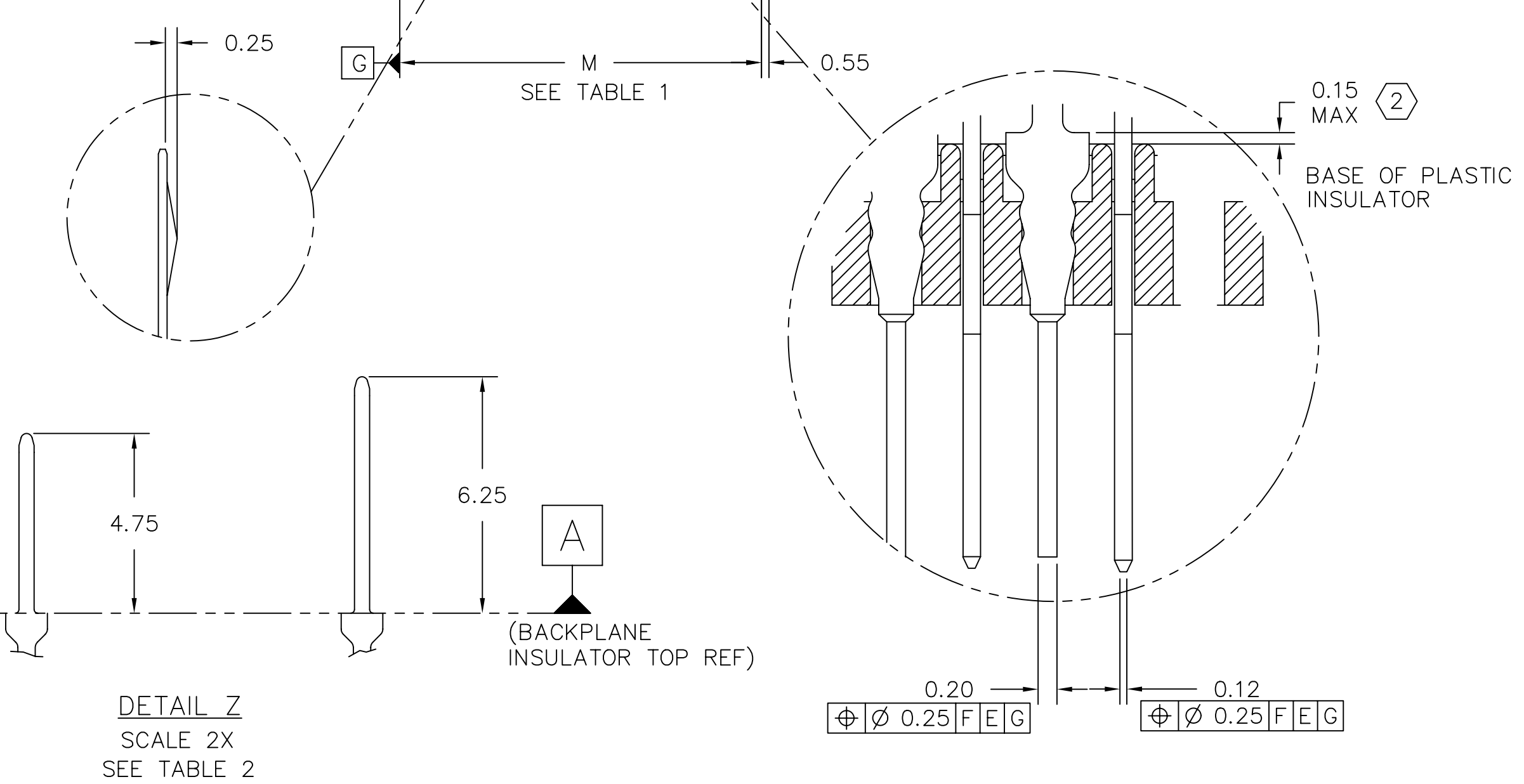
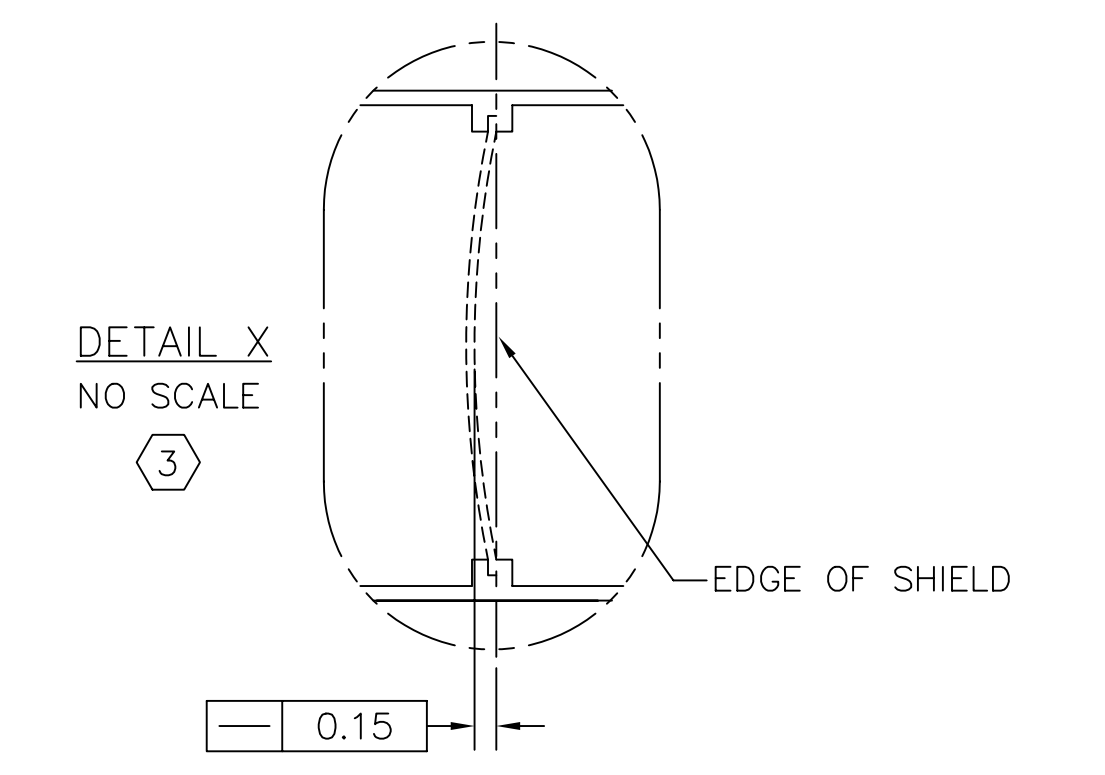
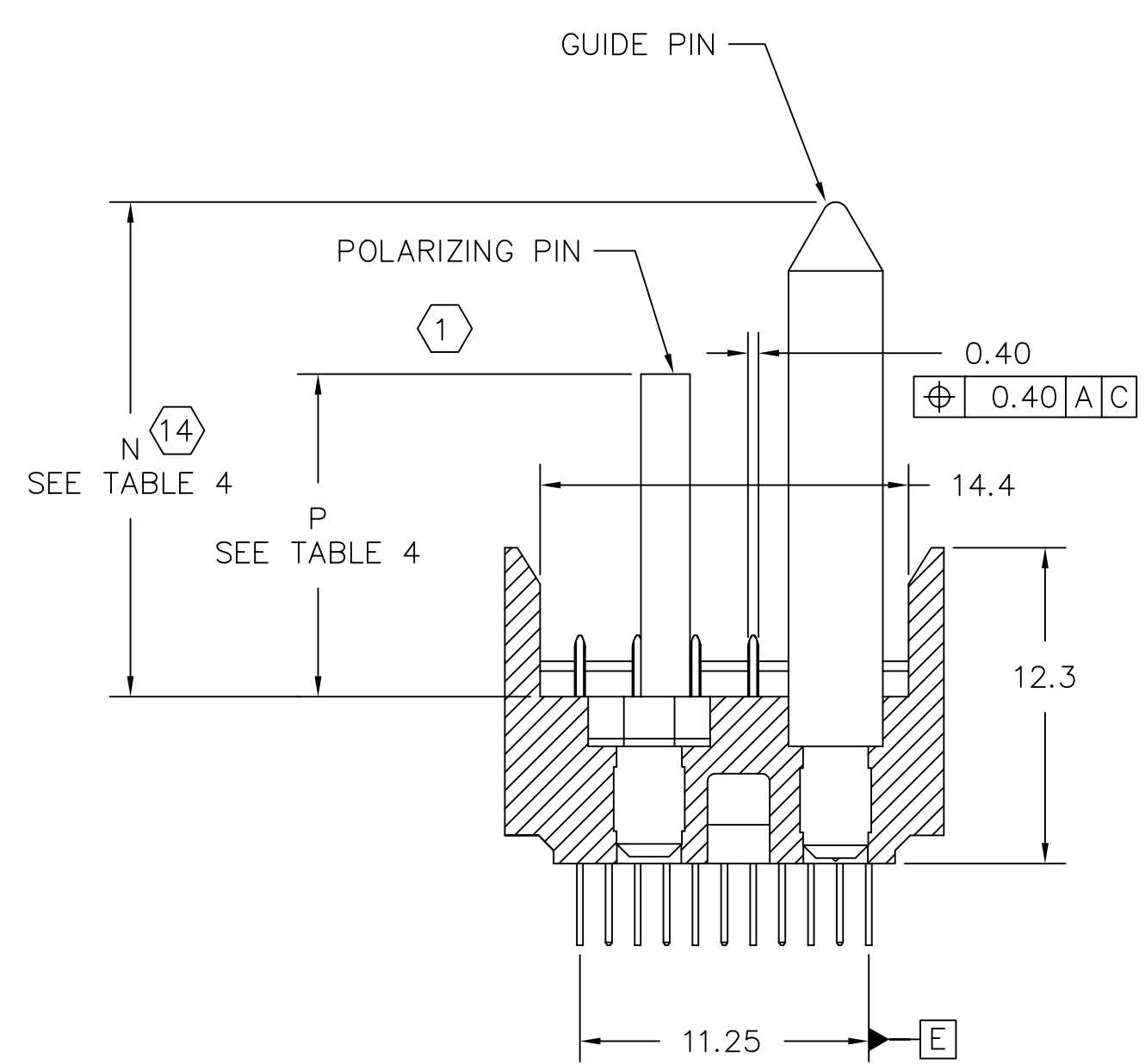
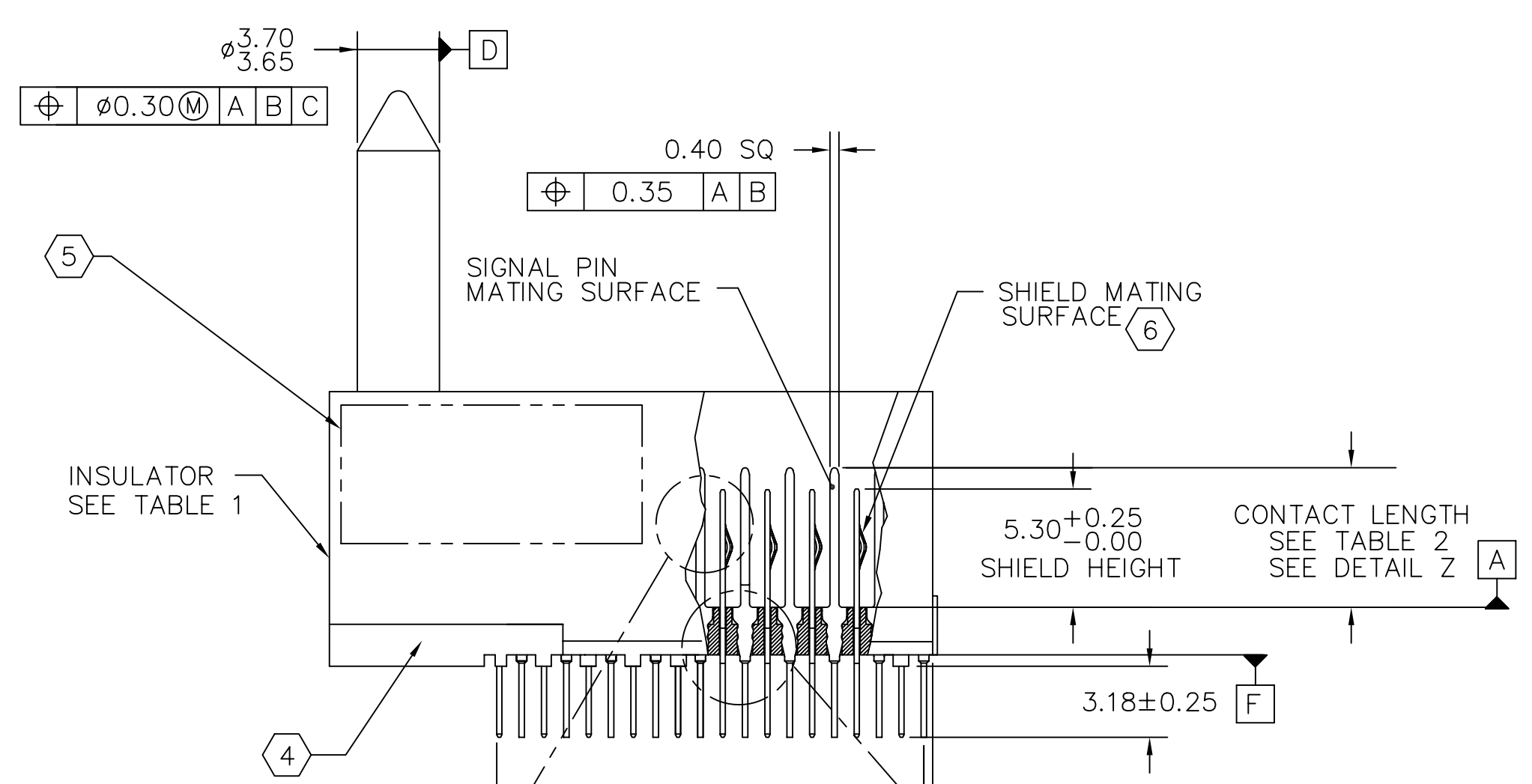
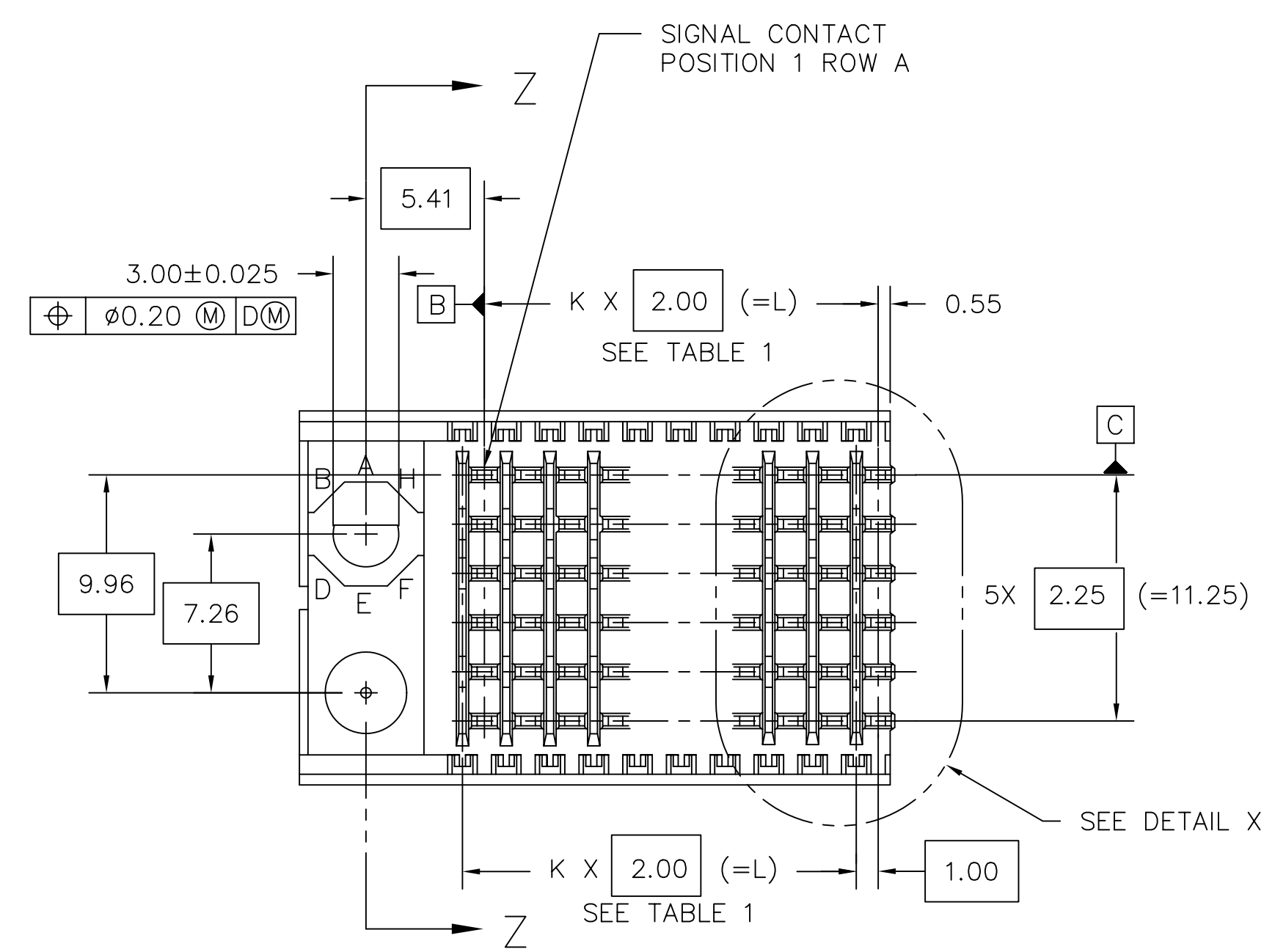


ZONE	REV	SCR NO.	DESCRIPTION	BY	DATE	APPROVED
-	-	33314	NEW RELEASE	SG	1/18/01	K.LEBLANC
-	A	34851	MODIFIED TABLE 2	SG	5/3/01	K.LEBLANC
-	B	37673	CHANGED SEATING HEIGHT	SG	2/04/02	LI
-	C	40882	EDIT NOTE 6 & TABLE 4	ED	01/14/03	W.LI
-	D	41105	MODIFIED TABLE 2	SG	2/04/03	K.LEBLANC
-	E	42090	REVISE DATUMS, ADD PART REV	M.L.	05/27/03	W.LI
-	F	KLEC-66RSYS.VER01	ADDED NOTES 14 & 15	SG	9/21/04	LEBLANC
-	G	DMAG-6BSKJA.VER01	ADDED LEAD FREE PLATING OPTION	SG	4/25/05	S.BAIR
-	H	MFID-6CBQJR.VER02	MODIFIED NOTE 5, LINE 1	SG	06/08/05	FITZGERALD
-	J	MLEE-6K5QJM.VER01	REPLACED DRAWING FORMAT	ML	01/19/06	C.SAMMIS
-	K	SBAR-6NKR6G.VER01	MODIFIED TABLE 2, TABLE 5 AND PART NUMBER ASSIGNMENT	HCL	04/18/06	K.LEBLANC
-	L	CSAS-82HRMD.VER01	ADDED NEW PART NUMBERS FOR NEW PLATING CODES IN ASSEMBLY PART NUMBER ASSIGNMENT TREE. MODIFIED NOTE 6. ADDED NOTE 16. REMOVED NOTE 13 & TABLE 5.	HCL-MH	02/10/2010	C.SAMMIS



TOLERANCES	DWN	1/18/01
0.0 ± .25	CHK	1/18/01
0.00 ± .13	APVD	1/18/01
ANGLES ± -		K.LEBLANC

Amphenol TCS
 A Division of Amphenol Corporation
 200 Innovative Way, suite 201, Nashua, N.H. 03062 (603) 879-3000

TITLE
 BACKPLANE GUIDANCE/POLARIZING
 6 ROW,VHDM CONNECTOR,SOLDER TAIL
 LEFT ENDED

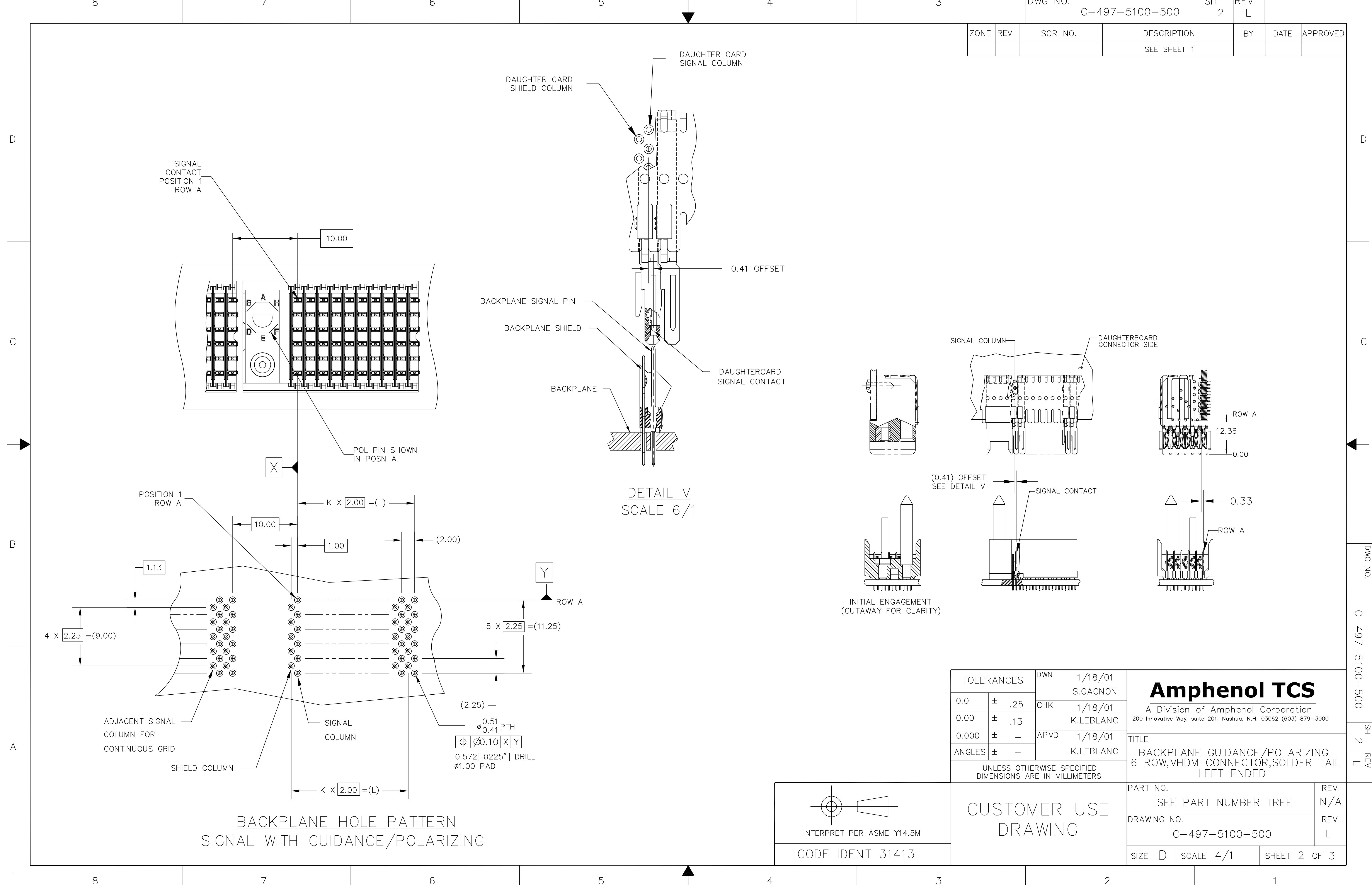
PART NO. SEE PART NUMBER TREE	REV N/A
DRAWING NO. C-497-5100-500	REV L
SIZE D	SCALE 4/1
SHEET 1 OF 3	

INTERPRET PER ASME Y14.5M
 CODE IDENT 31413

CUSTOMER USE
 DRAWING

DWG NO. C-497-5100-500 SH 1 REV L

ZONE	REV	SCR NO.	DESCRIPTION	BY	DATE	APPROVED
			SEE SHEET 1			



DETAIL V
SCALE 6/1

BACKPLANE HOLE PATTERN
SIGNAL WITH GUIDANCE/POLARIZING

TOLERANCES	DWN	1/18/01
0.0 ± .25	CHK	1/18/01
0.00 ± .13	APVD	1/18/01
0.000 ± -		K.LEBLANC
ANGLES ± -		

Amphenol TCS
A Division of Amphenol Corporation
200 Innovative Way, suite 201, Nashua, N.H. 03062 (603) 879-3000

TITLE
BACKPLANE GUIDANCE/POLARIZING
6 ROW, VHDM CONNECTOR, SOLDER TAIL
LEFT ENDED

PART NO.
SEE PART NUMBER TREE

DRAWING NO.
C-497-5100-500

SIZE D SCALE 4/1 SHEET 2 OF 3

INTERPRET PER ASME Y14.5M
 CODE IDENT 31413

CUSTOMER USE
DRAWING

DWG NO. C-497-5100-500 SH 2 REV L

ZONE	REV	SCR NO.	DESCRIPTION	BY	DATE	APPROVED
			SEE SHEET 1			

BACKPLANE GUIDANCE/POLARIZING MODULE
ASSEMBLY PART NUMBER ASSIGNMENT

497 - X 1 XX - X X X (6)

MODULE CONFIGURATION
GUIDANCE/POLARIZING TYPE

SIGNAL CONTACT LOAD (SEE TABLE 2)
(PIN LENGTH)
1 = 4,75
2 = 6,25
3 = 4,25

POLARIZING PIN
LOCATION CODE (SEE TABLE 3)

NUMBER OF
COLUMNS (SEE TABLE 1)
10 = 10 COLUMN MODULE
25 = 25 COLUMN MODULE

PLATING CODE (16)
0 = 758
2 = 770
3 = 818
4 = 819

MODULE
ORIENTATION
1 - LEFT

TABLE 4 (14)(15)

GUIDE/POLARIZING PIN	PART NUMBER	N	P
STANDARD GUIDE PIN	564-0385-553	19.3	-
CUSTOM GUIDE PIN	564-0420-553	17.3	-
CUSTOM GUIDE PIN	564-0487-553	13.4	-
STANDARD POL. PIN	564-0387-540	-	12.6
CUSTOM POL. PIN	564-0457-553	-	12.6

- ASSEMBLY TYPE
- 2 - CUSTOM LOAD, LEAD FREE
 - 3 - L-SERIES
 - 5 - UNIFORM LOAD, 702X
 - 6 - UNIFORM LOAD, BRUSH 60
 - 7 - CUSTOM LOAD, LEADED
 - L - CUSTOM LOAD, LEADED, ADVANCED PLATING.
 - N - CUSTOM LOAD, LEAD FREE, ADVANCED PLATING

- (16) THE LAST 3 DIGITS OF THE SIGNAL CONTACT AND THE SHIELD CONTACT PART NUMBERS ARE DETERMINED BY THE PLATING CODE, PER EGS205. MATCHES PLATING DEFINED BY THE 9TH DIGIT OF ASSEMBLY PART NUMBER.
- (15) STANDARD GUIDE PIN (564-0385-553) AND STANDARD POLARIZING PIN (564-0387-540) ARE IN STANDARD 5000 SERIES MODEL ASSEMBLIES. ANY GUIDE PIN OR POLARIZING PIN OTHER THAN THESE STANDARD NUMBERS WILL RESULT IN CUSTOM 7000 SERIES MODULE ASSEMBLIES BEING ASSIGNED.
- (14) USING GUIDE PINS THAT ARE SHORTER THAN THE STANDARD HEIGHT OF 19.3mm AND POLARIZING PINS THAT ARE SHORTER THAN THE STANDARD HEIGHT OF 12.6mm MAY NOT PROVIDE THE SUFFICIENT X AND Y AXIS ALIGNMENT AND POLARIZING PROTECTION PRIOR TO COMMENCEMENT OF ALL COMPONENT MATING SEQUENCES. CONSULT TERADYNE APPLICATIONS ENGINEERING PRIOR TO SYSTEMS DESIGN AND COMPONENT SELECTION.

TABLE 2 (3)(16)

ASSEMBLY PART NUMBER	SIGNAL CONTACT	CONTACT LENGTH	SHIELD CONTACT
497-51XX-X01	260-0122-758	4.75	262-0121-758
497-51XX-X02	260-0121-758	6.25	262-0121-758
497-51XX-X03	260-0123-758	4.25	262-0121-758
497-51XX-X21	260-0122-770	4.75	262-0121-770
497-51XX-X22	260-0121-770	6.25	262-0121-770
497-51XX-X23	260-0123-770	4.25	262-0121-770
497-51XX-X31	260-0122-818	4.75	262-0121-818
497-51XX-X32	260-0121-818	6.25	262-0121-818
497-51XX-X33	260-0123-818	4.25	262-0121-818
497-51XX-X41	260-0122-819	4.75	262-0121-819
497-51XX-X42	260-0121-819	6.25	262-0121-819
497-51XX-X43	260-0123-819	4.25	262-0121-819
497-31XX-X01	260-0122-758	4.75	N/A
497-31XX-X02	260-0121-758	6.25	N/A
497-31XX-X03	260-0123-758	4.25	N/A
497-31XX-X21	260-0122-770	4.75	N/A
497-31XX-X22	260-0121-770	6.25	N/A
497-31XX-X23	260-0123-770	4.25	N/A
497-31XX-X31	260-0122-818	4.75	N/A
497-31XX-X32	260-0121-818	6.25	N/A
497-31XX-X33	260-0123-818	4.25	N/A
497-31XX-X41	260-0122-819	4.75	N/A
497-31XX-X42	260-0123-819	4.25	N/A
497-31XX-X43	260-0123-819	4.25	N/A
497-61XX-X01	260-0102-758	4.75	262-0101-758
497-61XX-X02	260-0101-758	6.25	262-0101-758
497-61XX-X03	260-0103-758	4.25	262-0101-758
497-61XX-X21	260-0102-770	4.75	262-0101-770
497-61XX-X22	260-0101-770	6.25	262-0101-770
497-61XX-X23	260-0103-770	4.25	262-0101-770

TABLE 1

ASSEMBLY PART NUMBER (16)	BACKPLANE GUIDANCE POLARIZING MODULE	K	(L)	M	TOTAL NUMBER OF SIGNAL CONTACTS	TOTAL NUMBER OF GROUND SHIELD
497-(5,6)110-XOX	498-0110-060	9	(18.00)	19.00	60	10
497-(5,6)125-XOX	498-0125-060	24	(48.00)	49.00	150	25
497-3110-XOX	498-0110-060	9	(18.00)	19.00	60	N/A
497-3125-XOX	498-0125-060	24	(48.00)	49.00	150	N/A

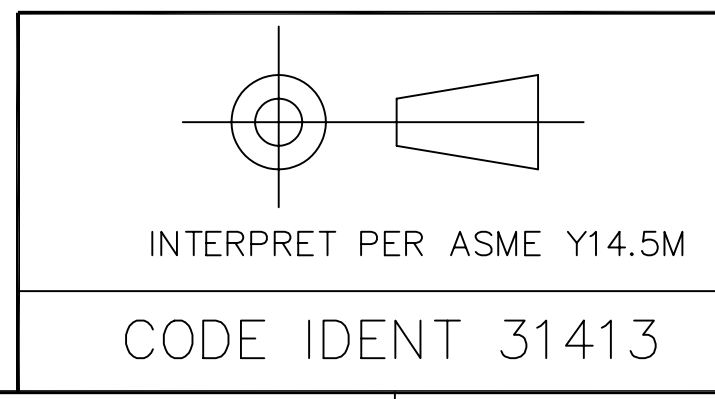
- 13. REMOVED.
- 12. DATUM -G- IS DEFINED AS THE CENTERLINE OF THE CONNECTOR MEASURED FROM THE TWO OUTERMOST ROWS OF SIGNAL AND SHIELD CONTACTS TAIL SIDE.
- 11. DATUM -F- IS DEFINED AS THE BOTTOM SURFACE OF THE PLASTIC INSULATOR.
- 10. DATUM -E- IS DEFINED AS THE CENTERLINE OF THE CONNECTOR MEASURED FROM THE TWO OUTERMOST COLUMNS OF SIGNAL CONTACTS TAIL SIDE.
- 9. DATUM -C- IS DEFINED AS THE CENTERLINE OF THE CONNECTOR MEASURED FROM THE TWO OUTERMOST COLUMNS OF SIGNAL CONTACT HOLES.
- 8. DATUM -B- IS DEFINED AS THE CENTERLINE OF THE TOP OF THE OUTERMOST WAFER SLOTS IN THE INSULATOR WALLS.
- 7. DATUM -A- IS DEFINED AS THE WAFER MATING SURFACE OF THE PLASTIC INSULATOR.

- (6) IF MODULE PART NUMBER IS 497-2XXX-XXX OR 497-7XXX-XXX OR 497-LXXX-XXX OR 497-NXXX-XXX, MODULE ORIENTATION, NUMBER OF COLUMNS, PLATING CODE, PART REVISION, AND SIGNAL CONTACT LOAD ARE NOT APPLICABLE.
- (5) PART MARKING TO BE AS FOLLOWS:
LINE 1: ATCSYYWDH (LOGO, YEAR, WEEK, DAY, HOUR)
LINE 2: MODULE PART NUMBER(497#####).
LINE 3: WORK ORDER NUMBER(VH*#####), WHERE "*" DENOTES MANUFACTURING LOCATION.

- (4) OPEN, NOTCH END DESIGNATES COLUMN 1.
 - (3) SHIELDS SHALL BE STRAIGHT WITH MAXIMUM ALLOWABLE BOW OF 0.15 MILLIMETERS ON EITHER SIDE OF SHIELD. SEE DETAIL "X".
 - (2) WHEN ASSEMBLED TO BACKPLANE INSULATOR, CONTACT MUST SEAT FLUSH WITH INSULATOR TOP SURFACE TO A MAXIMUM ALLOWABLE GAP OF 0,15.
- NOTES: (1) POLARIZING PIN MUST ALIGN AS INDICATED BY PART NUMBER CODE. (SEE TABLE 3) TO INSURE PROPER ALIGNMENT, THE OCTAGNAL BASE PORTION OF THE PIN MUST BE POSITIONED INTO THE CORESPONDING MOLDED CAVITY.

TABLE 3 (1)

PART NUMBER 497-(3,5,6)1XX-()	-00X	-A0X	-B0X	-C0X	-D0X	-E0X	-F0X	-G0X	-H0X
POLARIZING PIN ORIENTATION	0	A	B	C	D	E	F	G	H
	(NO KEY)								



CUSTOMER USE
DRAWING

TOLERANCES

0.0	± .25	DWN	1/18/01
0.00	± .13	CHK	1/18/01
0.000	± -	APVD	1/18/01
ANGLES	± -		K.LEBLANC

Amphenol TCS
A Division of Amphenol Corporation
200 Innovative Way, suite 201, Nashua, N.H. 03062 (603) 879-3000

TITLE
BACKPLANE GUIDANCE/POLARIZING
6 ROW,VHDM CONNECTOR,SOLDER TAIL
LEFT ENDED

PART NO. SEE PART NUMBER TREE	REV N/A
DRAWING NO. C-497-5100-500	REV L
SIZE D	SCALE 4/1
SHEET 3 OF 3	

DWG NO. C-497-5100-500 SH 3 REV L