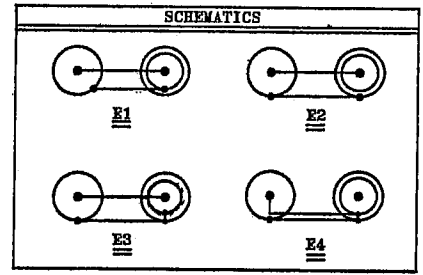


FIG NO	P2 CONN TYPE	P1 CONN TYPE															
		PL95				PL95S				UPL95				UPL95S			
		E1	E2	E3	E4	E1	E2	E3	E4	E1	E2	E3	E4	E1	E2	E3	E4
PL73	1	-1	-2	-3	-4	-5	-6	-7	-8	-9	-10	-11	-12	-13	-14	-15	-16
PL74	2A	-17	-18	-19	-20	-21	-22	-23	-24	-25	-26	-27	-28	-29	-30	-31	-32
PL75	2A	-33	-34	-35	-36	-37	-38	-39	-40	-41	-42	-43	-44	-45	-46	-47	-48
PL79FL	2A	-49	-50	-51	-52	-53	-54	-55	-56	-57	-58	-59	-60	-61	-62	-63	-64
PL375	2B	-65	-66	-67	-68	-69	-70	-71	-72	-73	-74	-75	-76	-77	-78	-79	-80
BJ74	3A	-81	-82	-83	-84	-85	-86	-87	-88	-89	-90	-91	-92	-93	-94	-95	-96
BJ74TL	3A	-97	-98	-99	-100	-101	-102	-103	-104	-105	-106	-107	-108	-109	-110	-111	-112
BJ74FL	3A	-113	-114	-115	-116	-117	-118	-119	-120	-121	-122	-123	-124	-125	-126	-127	-128
BJ374	3B	-129	-130	-131	-132	-133	-134	-135	-136	-137	-138	-139	-140	-141	-142	-143	-144
BJ79	4A	-145	-146	-147	-148	-149	-150	-151	-152	-153	-154	-155	-156	-157	-158	-159	-160
BJ79TL	4A	-161	-162	-163	-164	-165	-166	-167	-168	-169	-170	-171	-172	-173	-174	-175	-176
BJ79FL	4A	-177	-178	-179	-180	-181	-182	-183	-184	-185	-186	-187	-188	-189	-190	-191	-192
BJ379	4B	-193	-194	-195	-196	-197	-198	-199	-200	-201	-202	-203	-204	-205	-206	-207	-208

INCH	MM
.005	.013
.030	0.76
.109	2.77
.140	3.56
.218	5.54
.221	5.61
.281	7.14
.284	7.21
.505	12.83
.510	12.95
.630	16.00
.635	16.13
.827	21.01
2.618	66.45
2.643	67.28
2.673	67.89
2.822	71.68

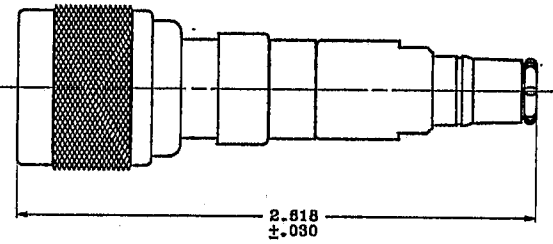
DATA CONTAINED IN THIS DOCUMENT IS PROPRIETARY TO TROMPETER ELECTRONICS, INC. AND SHALL NOT BE DISCLOSED, COPIED OR USED FOR REPRODUCTION OR MANUFACTURE WITHOUT EXPRESS WRITTEN PERMISSION.

REV		EO		DESCRIPTION	DWN	APPROVED	DATE
							12-10



- EXAMPLE OF COMPLETE MODEL NO:
AD - PL95 - E1 - PL73
ADAPTER (P1) CONN TYPE (P2) CONN TYPE SCHEMATIC
- EXAMPLE OF COMPLETE PART NO:
12-10-1
BASIC PART NO DASH NO
- BETWEEN SERIES ADAPTER, MALE 'N' SERIES TO CONCENTRIC TWINAX-TWINAX MALE-FEMALE BULKHEAD-70 SERIES
- FINISH: TFS-1A (NICKEL)
- ALL DIM ARE IN INCHES

FIG 1A(P1)
-1 SHOWN



(P2)

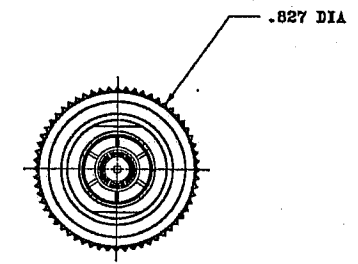
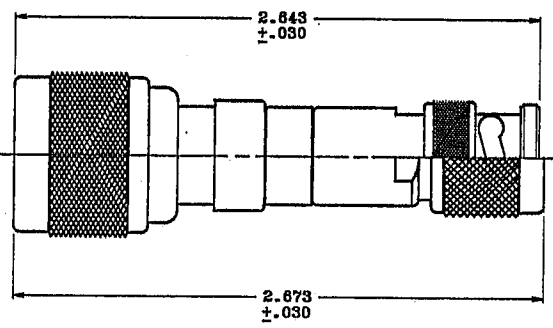
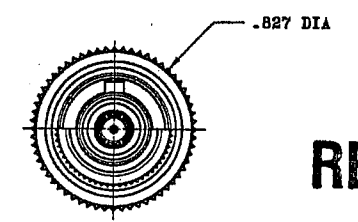


FIG 2A(P1)
-20 SHOWN
-65 SHOWN
FIG 2B(P1)

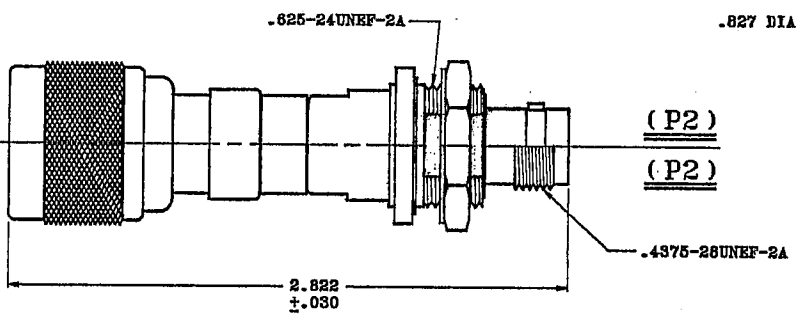


(P2)
(P2)

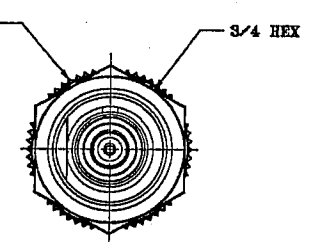


RED INDICATES ORIGINAL

FIG 3A(P1)
-85 SHOWN
-135 SHOWN
FIG 3B(P1)



(P2)
(P2)



RECOMMENDED
PANEL CUTOUT
MAX PNL THK .140

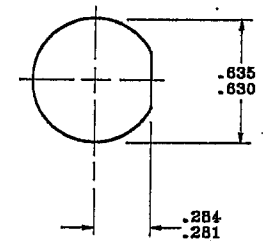
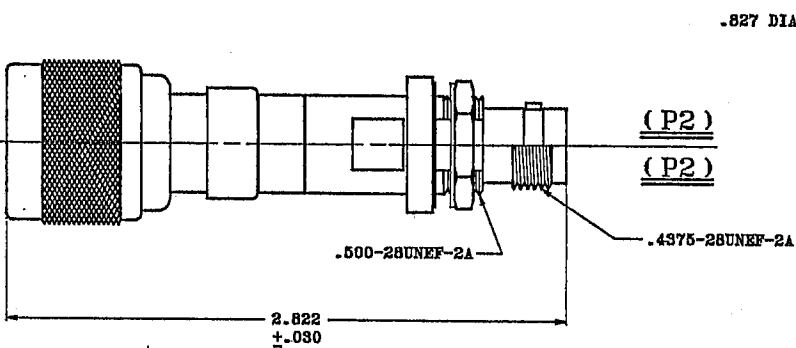
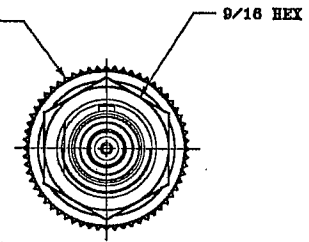


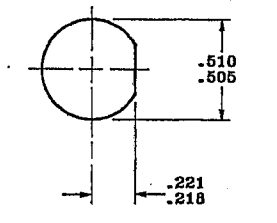
FIG 4A(P1)
-153 SHOWN
-204 SHOWN
FIG 4B(P1)



(P2)
(P2)



RECOMMENDED
PANEL CUTOUT
MAX PNL THK .109



QTY	DESCRIPTION	PART NUMBER	ITEM
TOL UNLESS SPECIFIED XX ± XXX ± XXXX ± ANGLE	TROMPETER ELECTRONICS, INC.	ADAPTERS MALE 'N' SERIES TO CONCENTRIC TWINAX/TWINAX MALE-FEMALE BULKHEAD-70 SERIES	
DWN JDG 12-10-88	MATERIAL	CODE IDENT	DRAWING NO.
CHK F3 1-2-87		14949	12-10
ENGR [Signature]	APPR [Signature]	SCALE 2/1	DATE 1-23-87
NEXT ASSY			SHEET 1 OF 2