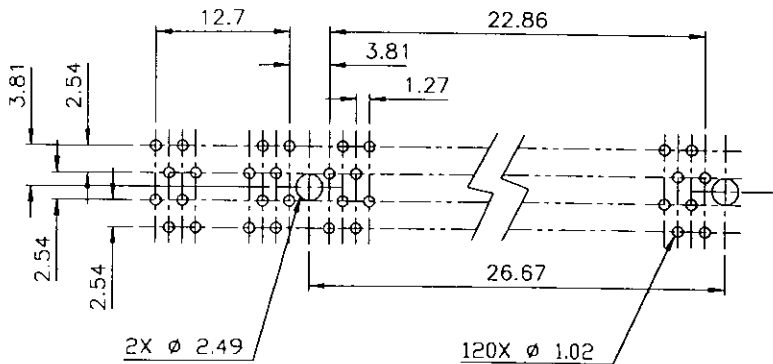
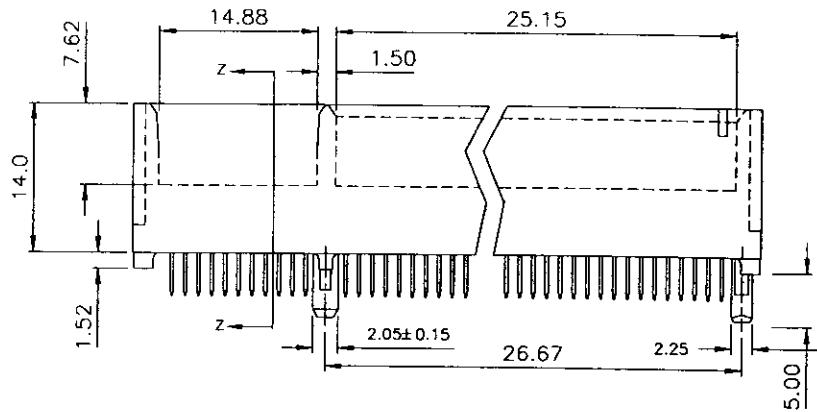
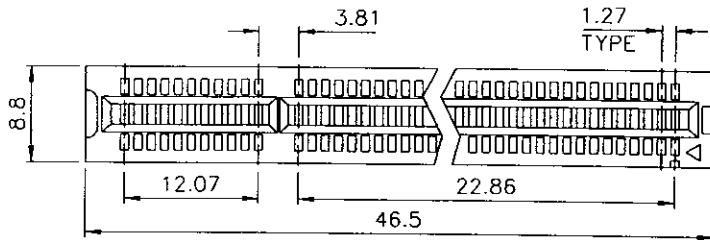


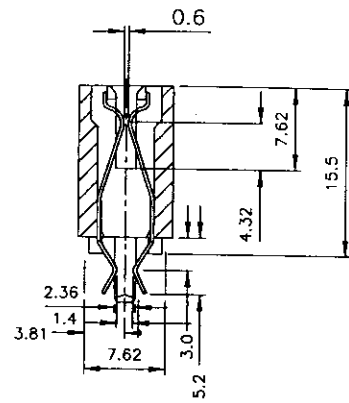
Tous droits strictement réservés. Reproduction ou communication à des tiers sans autorisation écrite de BERG ELECTRONICS sans autorisation écrite du propriétaire. Droits de reproduction BERG ELECTRONICS by A

All rights strictly reserved. Reproduction or issue to third parties in any form without the written authority of BERG ELECTRONICS. Property of BERG ELECTRONICS. Copyright BERG ELECTRONICS by B

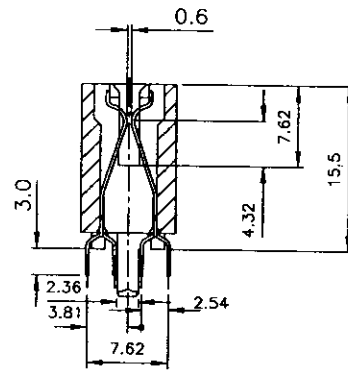
PRODUCT NO
SEE NOTE 5



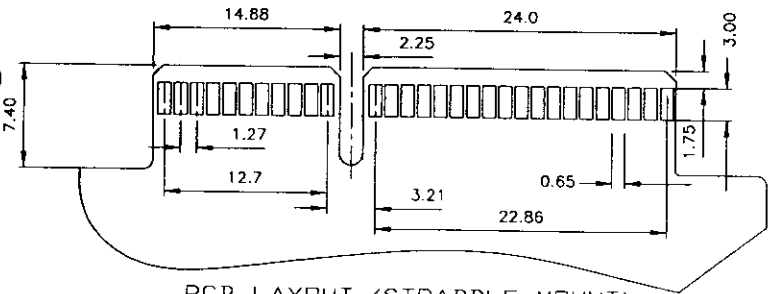
PCB LAYOUT (THRU. HOLE)
FIG.1



SECTION Z-Z (STRADDLE MOUNT)



SECTION Z-Z (THRU. HOLE)



PCB LAYOUT (STRADDLE MOUNT)
FIG.2

- NOTE
- HOUSING MATERIAL: POLYPHENYLENE SULFIDE-40% GLASS. COLOR- NATURAL (BROWN).
 - TERMINAL MATERIAL: COPPER ALLOY.
PLATING:
-1.0uM(40u") NICKEL UNDERPLATING OVERALL.
-2.0uM(80u") TIN/LEAD, 90/10 IN SOLDER TAIL.
-GOLD FLASH IN CONTACT AREA.
 - CURRENT RATING : 1 AMPERE.
 - TEMPERATURE RANGE : -55°C TO +85°C
 - PCB LAY OUT IS AS SHOWN.
 - ORDERING DATA:

95570- X X X X XX

- POSITIONS
0: THRU HOLE.
1: STRADDLE MOUNT.
- HOUSING COLOR
0: BROWN
- PEG DESIGN
P: PLASTIC POST
M: METAL CLIP

- PLATING :
0: GOLD FLASH
1: 10u" GOLD. (IN CONTACT AREA)

mat'l code		tolerance unless otherwise specified		CUSTOMER COPY	BERG ELECTRONICS	
rev	ec'n no.	dr	date	linear	projection	title
A	T50138	AC	5/17/95	0 ± 0.20		H.D EDGE CARD CONN. 1.27mm
B	T50371	AC	11/27/95	00 ± 0.10 000 ± 0.05		
				angles	product family	
				dr AELLEN.C 11/27/95	unit	
				enr AELLEN.C 11/27/95	mm/inch	
				chr CL CHEN 11/27/95	size	
				app CL CHEN 11/27/95	dwg no.	
				scale		code
				A3		TWN
				95570		sheet
						1 OF 1
sheet	revision					
index	sheet					