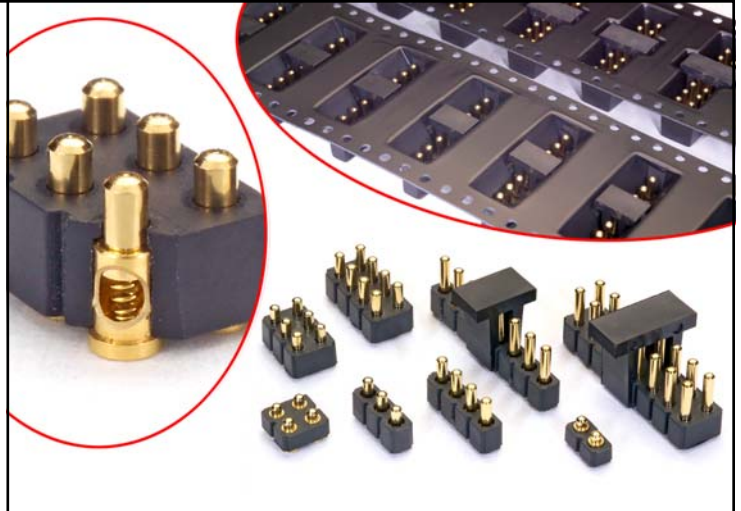
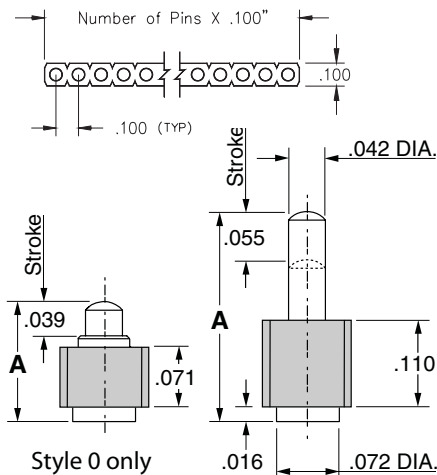


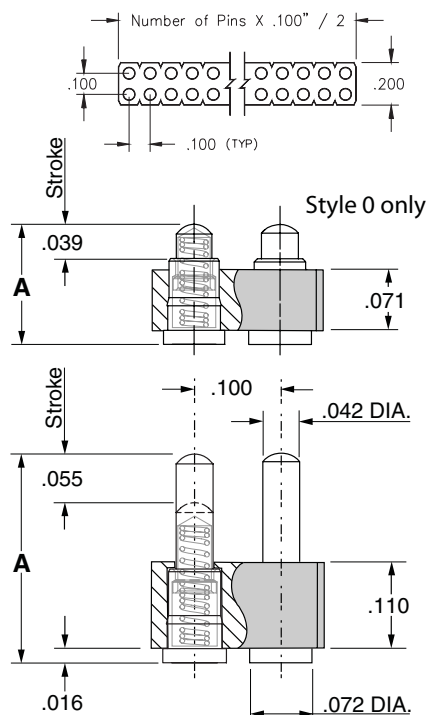
- Modular contacts for use on .100" grid, available in five heights from .137" to .236", supplied in single and double row contact strips.
- Precision machined piston / base and gold plated components assure a 1,000,000 min. cycle life.
- Pistons have a long stroke relative to the low profile of the assembly.
- Low resistance, high current contacts are rated at 2 amps continuous, 3 amps peak.
- High temperature thermoplastic insulators are suitable for surface mount processes.
- Both 811 & 813 series, contact styles 1 thru 4, are available on 32mm wide carrier tape for pick and place assembly per EIA-481. See page 119 for strip lengths available and ordering information.



SINGLE ROW Series 811



DOUBLE ROW Series 813



Ordering Information

Single Row Series 811

811-22-0XX-30-00X-101

Specify # of contacts

Specify contact style 0-4

01-64

Double Row Series 813

813-22-0XX-30-00X-101

Specify # of contacts

Specify contact style 0-4

04-72

CONTACT STYLE	INITIAL HEIGHT A
0	.137
1	.177
2	.197
3	.217
4	.236

Technical Specifications

Materials:

Contact piston & Base: Machined copper alloy plated 20µ" gold over 100µ" nickel
 Spring: Beryllium copper plated 10µ" gold
 Insulator: High temp. thermoplastic rated UL94 V-0

Mechanical:

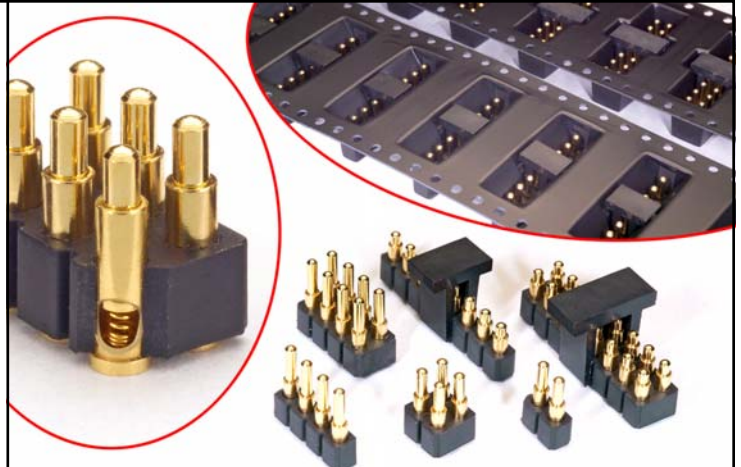
Spring force @ initial height (A): 25 grams
 Spring force @ mid stroke (B/2): 60 grams
 Spring force @ full stroke (B): 95 grams
 Durability: 1,000,000 cycles min.

Electrical:

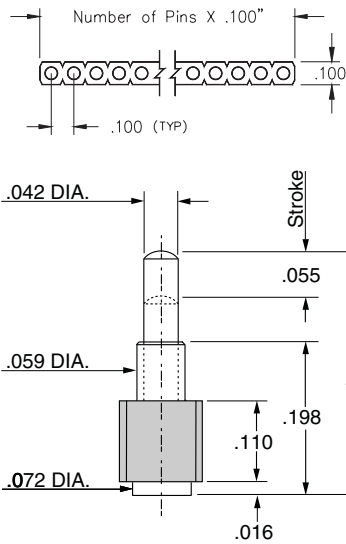
Voltage rating: 100Vrms/150Vdc
 Current rating: 2A (continous), 3A (peak) per contact
 Contact resistance: 20mΩ max.
 Insulation resistance: 10,000MΩ min.
 Dielectric strength: 700Vrms min.
 Capacitance: 1pF max.



- Modular contacts for use on .100" grid, available in ten heights from .255" to .430", supplied in single and double row contact strips.
- Precision machined piston / base and gold plated components assure a 1,000,000 min. cycle life.
- Pistons have a long stroke relative to the low profile of the assembly.
- Low resistance, high current contacts are rated at 2 amps continuous, 3 amps peak.
- High temperature thermoplastic insulators are suitable for surface mount processes.
- Both 812 & 814 series are available on 32mm or 44mm wide carrier tape for automated pick and place assembly per EIA-481. See page 119 for strip lengths available and ordering information.



SINGLE ROW Series 812



Ordering Information

Single Row Series 812

812-22-0XX-30-00X-101

Specify contact style 0-9

Specify # of contacts → 02-64

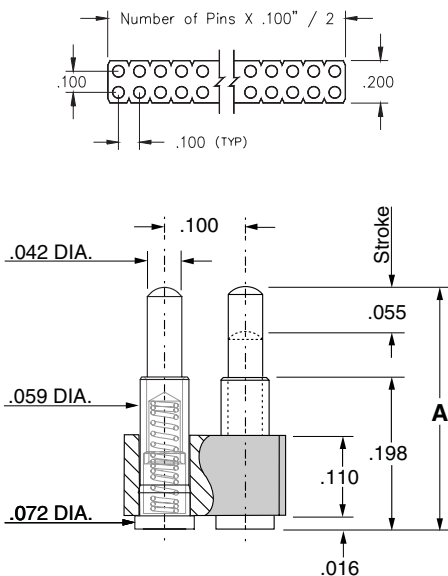
Double Row Series 814

814-22-0XX-30-00X-101

Specify contact style 0-9

Specify # of contacts → 04-72

DOUBLE ROW Series 814



CONTACT STYLE	INITIAL HEIGHT A	CONTACT STYLE	INITIAL HEIGHT A
0	.255	5	.350
1	.275	6	.370
2	.295	7	.390
3	.315	8	.410
4	.335	9	.430

Technical Specifications

Materials:

Contact piston & Base: Machined copper alloy plated 20μ" gold over 100μ" nickel
 Spring: Beryllium copper plated 10μ" gold
 Insulator: High temp. thermoplastic rated UL94 V-0

Mechanical:

Spring force @ initial height (A): 25 grams
 Spring force @ mid stroke (.0275): 60 grams
 Spring force @ full stroke (.055): 95 grams
 Durability: 1,000,000 cycles min.

Electrical:

Voltage rating: 100Vrms/150Vdc
 Current rating: 2A (continuous), 3A (peak) per contact
 Contact resistance: 20mΩ max.
 Insulation resistance: 10,000MΩ min.
 Dielectric strength: 700Vrms min.
 Capacitance: 1pF max.



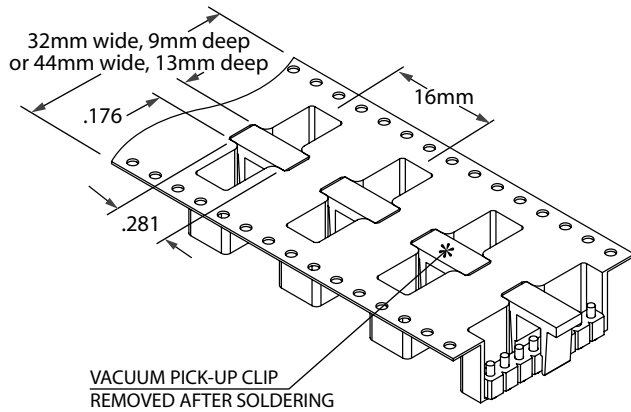
Ordering Information for Series 811/812/813/814 in Carrier Tape

Single Row Series 811/812

811-22-00X-30-00X-191
Specify # of contacts → 2-8 (32mm wide tape, 400 parts per 13" reel) → Specify contact style 1-4

812-22-00X-30-00X-191
Specify # of contacts → 2-8 (32mm wide tape, 400 parts per 13" reel) → Specify contact style 0-2

812-22-0XX-30-00X-191
Specify # of contacts → 2-12 (44mm wide tape, 200 parts per 13" reel) → Specify contact style 3-9

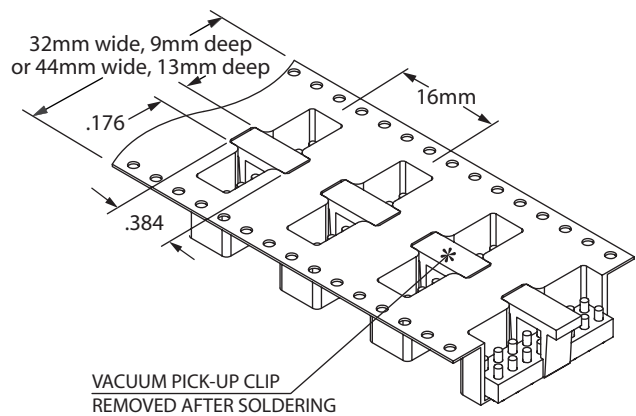


Double Row Series 813/814

813-22-0XX-30-00X-191
Specify # of contacts → 04-16 (32mm wide tape, 400 parts per 13" reel) → Specify contact style 1-4

814-22-0XX-30-00X-191
Specify # of contacts → 04-16 (32mm wide tape, 400 parts per 13" reel) → Specify contact style 0-2

814-22-0XX-30-00X-191
Specify # of contacts → 04-24 (44mm wide tape, 200 parts per 13" reel) → Specify contact style 3-9



Some Typical Applications

Cable Termination



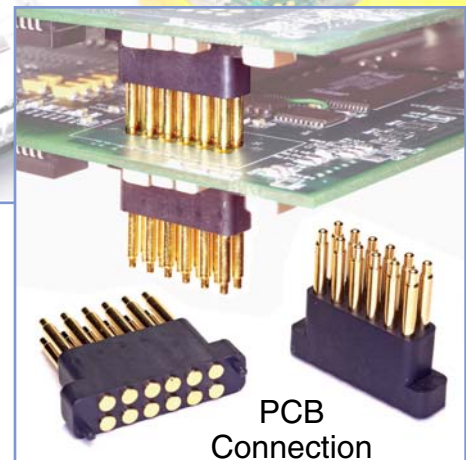
Internal Battery Connection



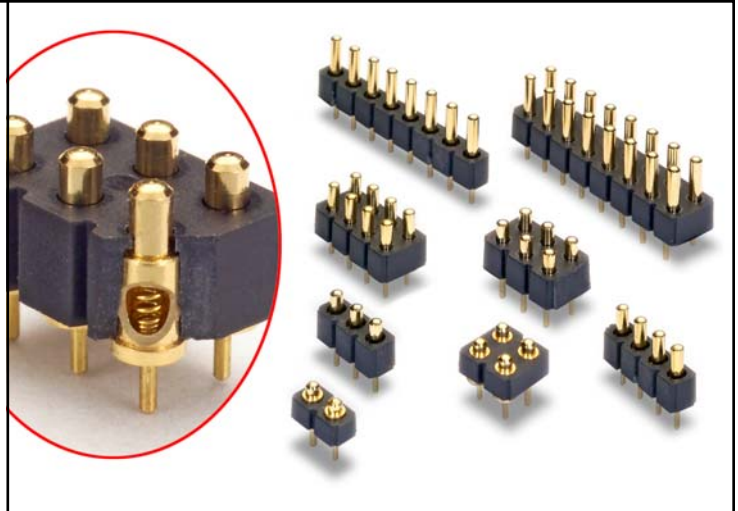
Charging Base for Portable Instruments



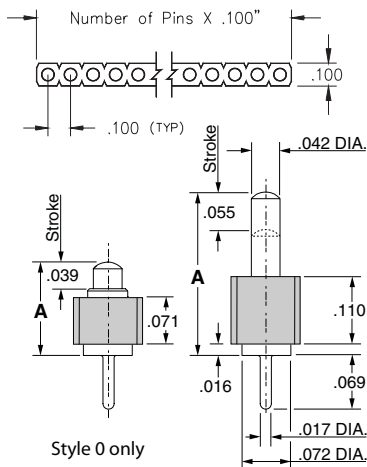
PCB Connection



- Modular contacts for use on .100" grid, available in five heights from .137" to .236", supplied in single and double row contact strips.
- Precision machined piston / base and gold plated components assure a 1,000,000 min. cycle life.
- Pistons have a long stroke relative to the low profile of the assembly.
- Low resistance, high current contacts are rated at 2 amps continuous, 3 amps peak.
- High temperature thermoplastic insulators are suitable for surface mount processes.
- 821 & 823 series contact strips are designed for manual placement into $\varnothing.022 \pm .003$ " plated-thru-holes in the circuit board prior to hand, wave or reflow soldering.



SINGLE ROW Series 821



Ordering Information

Single Row Series 821

821-22-0XX-10-00X-101

Specify # of contacts

→ **Specify contact style 0-4**

02-64

Double Row Series 823

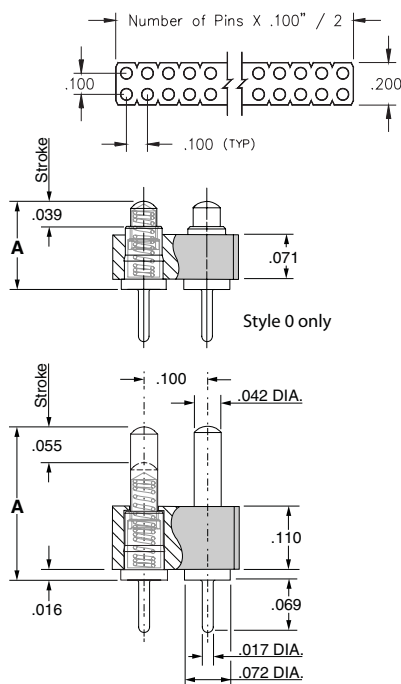
823-22-0XX-10-00X-101

Specify # of contacts

→ **Specify contact style 0-4**

04-72

DOUBLE ROW Series 823



CONTACT STYLE	INITIAL HEIGHT A
0	.137
1	.177
2	.197
3	.217
4	.236

Technical Specifications

Materials:

Contact piston & Base: Machined copper alloy plated 20 μ " gold over 100 μ " nickel
 Spring: Beryllium copper plated 10 μ " gold
 Insulator: High temp. thermoplastic rated UL94 V-0

Mechanical:

Spring force @ initial height (A): 25 grams
 Spring force @ mid stroke (B/2): 60 grams
 Spring force @ full stroke (B): 95 grams
 Durability: 1,000,000 cycles min.

Electrical:

Voltage rating: 100Vrms/150Vdc
 Current rating: 2A (continuous), 3A (peak) per contact
 Contact resistance: 20m Ω max.
 Insulation resistance: 10,000M Ω min.
 Dielectric strength: 700Vrms min.
 Capacitance: 1pF max.

