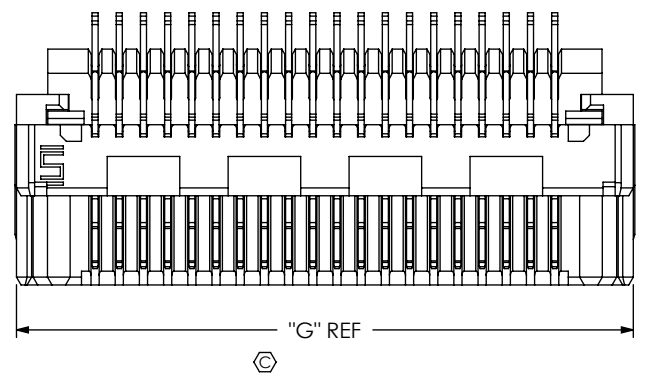


DO NOT
SCALE FROM
THIS PRINT



LSEM-1XX-XX-X-DH-A-X-X-TR

No OF POSITIONS
-20, -30, -40, -50

LEAD STYLE
-01:

PACKAGING
-TR: TAPE & REEL
(SEE NOTE 6)

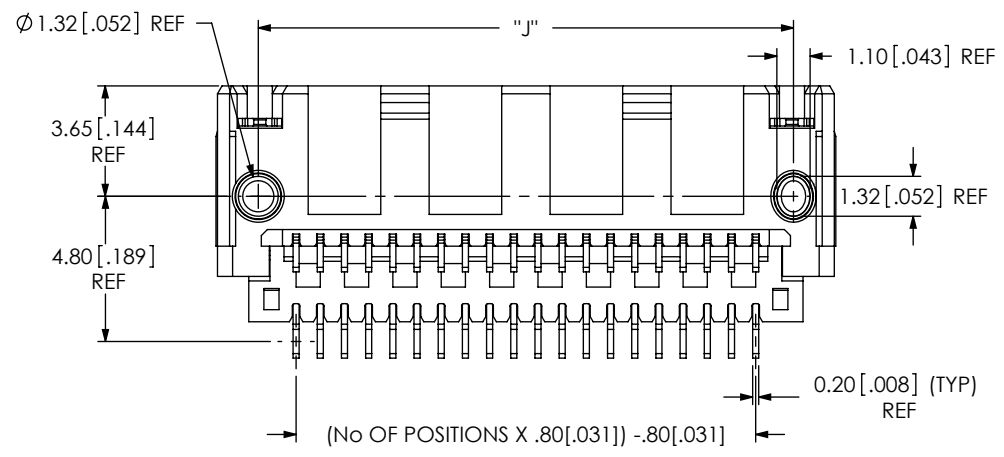
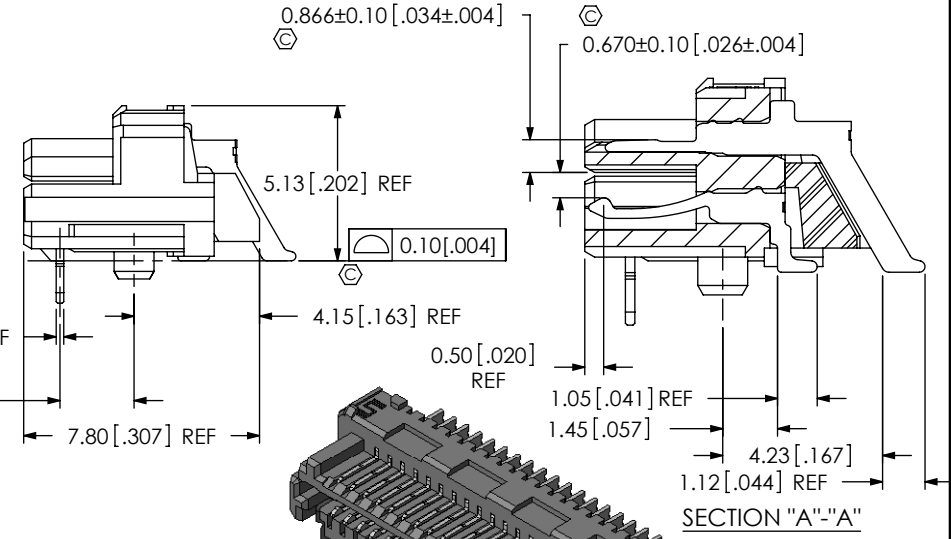
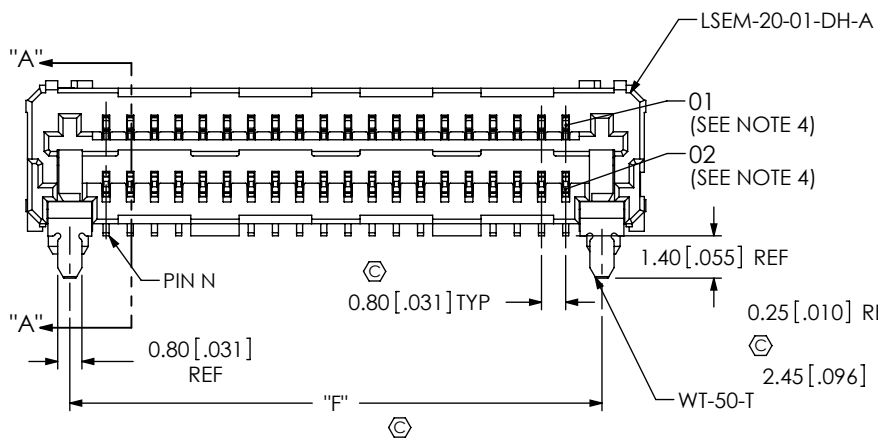
OPTION
-K: POLYIMIDE FILM (SEE SHT 2, FIG.3)
(USE K-500-300)

SHIELD
* -S: WITH SHIELD (SEE SHT 2, FIG.2)
-N: NO SHIELD

OPTION
-A: ALIGNMENT PIN

TAIL OPTION
-DH: DUAL HORIZONTAL

*= NOT RELEASED FOR PRODUCTION

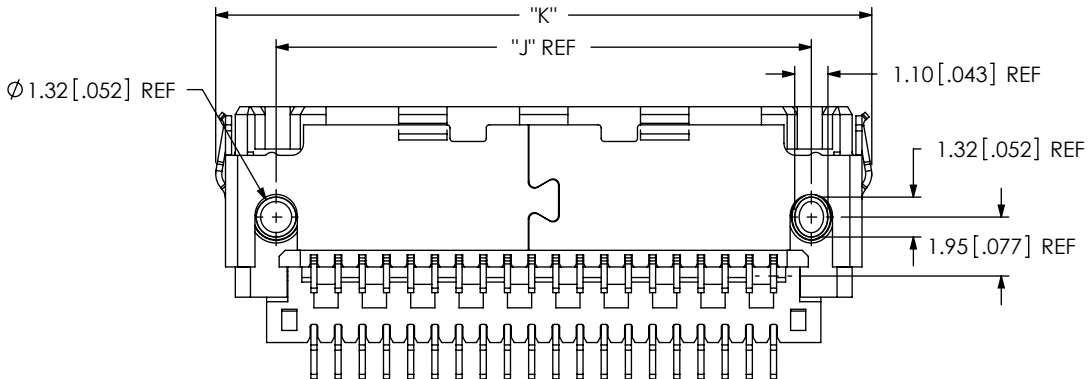
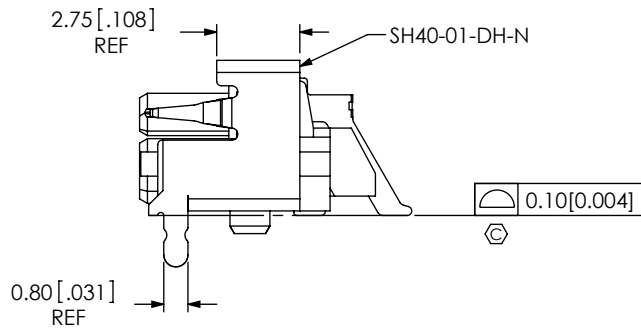
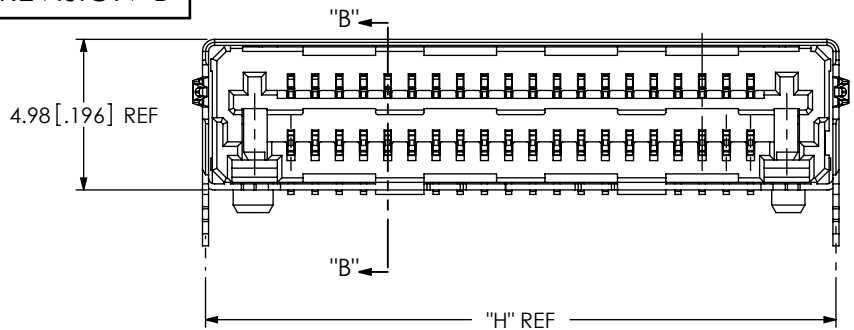


NOTES:

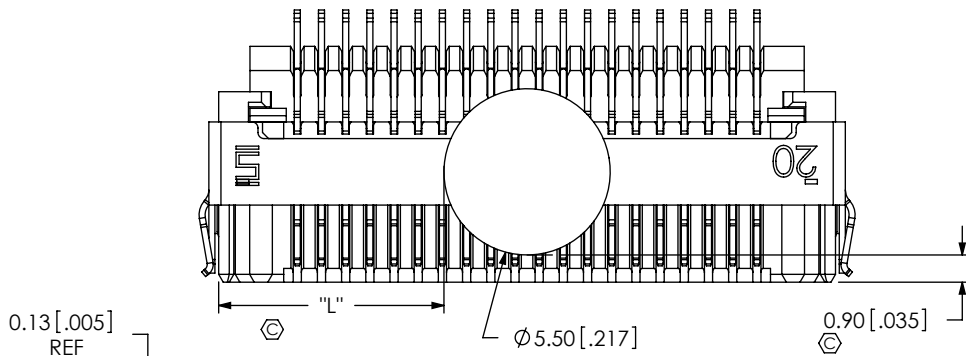
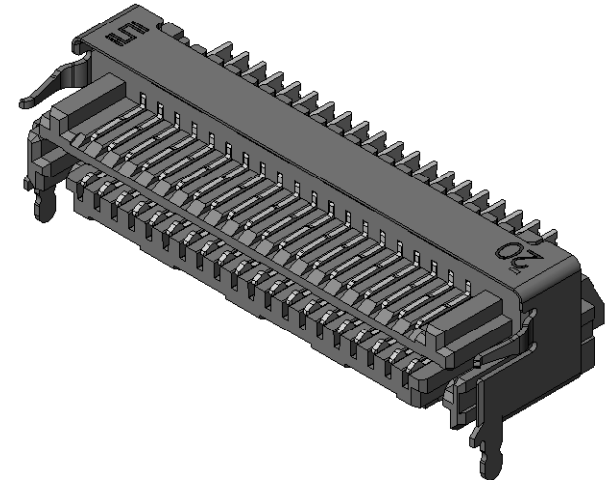
1. Ⓢ REPRESENTS A CRITICAL DIMENSION.
2. BURR ALLOWANCE: .038 [.0015]
3. MINIMUM PUSHOUT FORCE: 2.22 N [.5 LBS].
4. WHEN MATING WITH ANOTHER LSEM-DH, 01 WILL MATE WITH CONTACT 02 ON MATING CONNECTOR WHEN MATING WITH A LSEM-DV, PIN 01 WILL MATE WITH PIN N, WHERE N = TOTAL NUMBER OF POSITIONS.
5. MEASURE FROM TOP OF VERTICAL WALL.
6. FOR QUANTITIES UP TO 49 PCS., NO LEADER, TRAILER OR REEL WILL BE SUPPLIED. FOR QUANTITIES OF 50-124 PCS., NO LEADER OR TRAILER WILL BE SUPPLIED.

FIG.1
LSEM-120-01-XX-DH-A-X-X SHOWN

<p>UNLESS OTHERWISE SPECIFIED, DIMENSIONS ARE IN MILLIMETERS[INCHES]. TOLERANCES ARE: DECIMALS ANGLES</p> <p>X.X: ±0.3 [.01] 2° X.XX: ±0.13 [.005] X.XXX: ±0.051 [.0020]</p>	<p>PROPRIETARY NOTE</p> <p>THIS DOCUMENT CONTAINS INFORMATION CONFIDENTIAL AND PROPRIETARY TO SAMTEC, INC. AND SHALL NOT BE REPRODUCED OR TRANSFERRED TO OTHER DOCUMENTS OR DISCLOSED TO OTHERS OR USED FOR ANY PURPOSE OTHER THAN THAT WHICH IT WAS OBTAINED WITHOUT THE EXPRESSED WRITTEN CONSENT OF SAMTEC, INC.</p>	<p>samtec</p> <p>520 PARK EAST BLVD, NEW ALBANY, IN 47150 PHONE: 812-944-6733 FAX: 812-948-5047 fromparent+PHONE: 812-944-6733 FAX: 812-948-5047</p>
<p>MATERIAL: DO NOT SCALE DRAWING</p> <p>INSULATOR: BLACK LCD CONTACT OR TERMINAL: PHOS BRONZE SHIELD: STAINLESS STEEL WELD TAB: COPPER</p>	<p>SHEET SCALE: 1:0.2</p>	<p>DESCRIPTION: 0.8mm HERMAPHRODITIC HORIZONTAL FOR LSEM -DH</p> <p>DWG. NO. LSEM-1XX-XX-X-DH-A-X-X-TR</p> <p>BY: CHADP 04/08/2009 SHEET 1 OF 3</p>



***FIG. 2**
SHIELD OPTION
LSEM-120-01-XX-DH-A-S-X SHOWN
(SAME AS FIG.1 DIFFERENT AS SHOWN)
(* = NOT RELEASED FOR PRODUCTION)



***FIG. 3**
-K KAPTON OPTION
LSEM-120-01-XX-DH-A-S-K SHOWN
(SAME AS FIG.1 DIFFERENT AS SHOWN)
(* = NOT RELEASED FOR PRODUCTION)

TABLE 1

No OF POSITIONS	"F"	"G"	"H"	"J"	"K"	"L"
-20	17.60 [0.693]	20.40 [0.803]	20.85 [0.821]	17.70 [0.697]	21.70 [0.854]	7.45 [0.293]
-30	25.60 [1.008]	28.40 [1.118]	28.85 [1.136]	25.70 [1.012]	29.70 [1.169]	11.45 [0.451]
-40	33.60 [1.323]	36.40 [1.433]	36.85 [1.451]	33.70 [1.327]	37.70 [1.484]	15.45 [0.608]
-50	41.60 [1.638]	44.40 [1.748]	44.85 [1.766]	41.70 [1.642]	45.70 [1.799]	19.45 [0.766]

PROPRIETARY NOTE
THIS DOCUMENT CONTAINS INFORMATION CONFIDENTIAL AND PROPRIETARY TO SAMTEC, INC. AND SHALL NOT BE REPRODUCED OR TRANSFERRED TO OTHER DOCUMENTS OR DISCLOSED TO OTHERS OR USED FOR ANY PURPOSE OTHER THAN THAT WHICH IT WAS OBTAINED WITHOUT THE EXPRESSED WRITTEN CONSENT OF SAMTEC, INC.

DO NOT SCALE DRAWING
SHEET SCALE: 1:0.2



520 PARK EAST BLVD, NEW ALBANY, IN 47150
PHONE: 812-944-6733 FAX: 812-948-5047
fromparent+PHONE: 812-944-6733 FAX: 812-948-5047

DESCRIPTION:
0.8mm HERMAPHRODITIC HORIZONTAL FOR LSEM -DH

DWG. NO.
LSEM-1XX-XX-X-DH-A-X-X-TR

BY: CHADP 04/08/2009 SHEET 2 OF 3

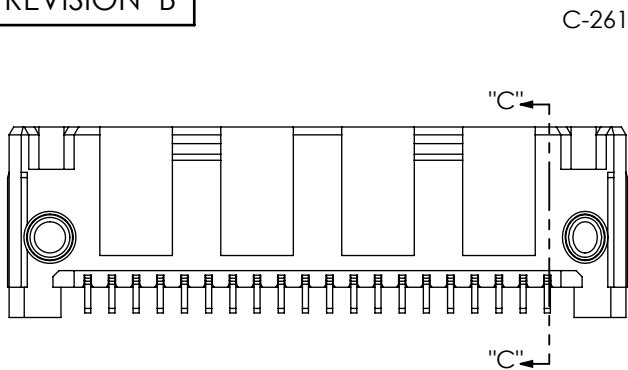
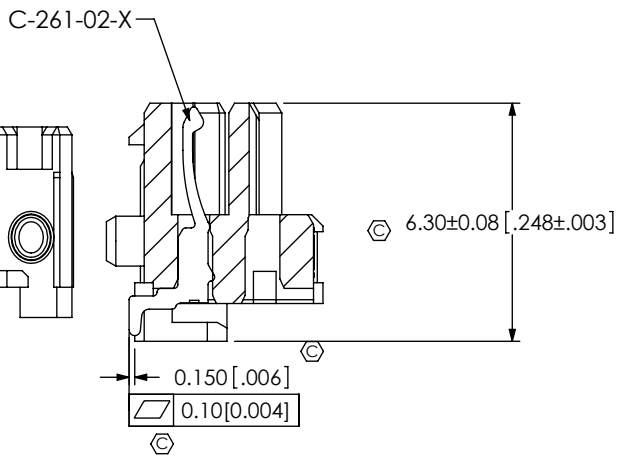


FIG. 4
(IN PROCESS 1)



SECTION "C"-"C"

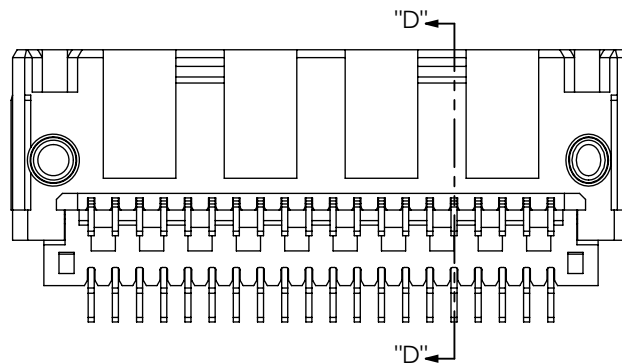
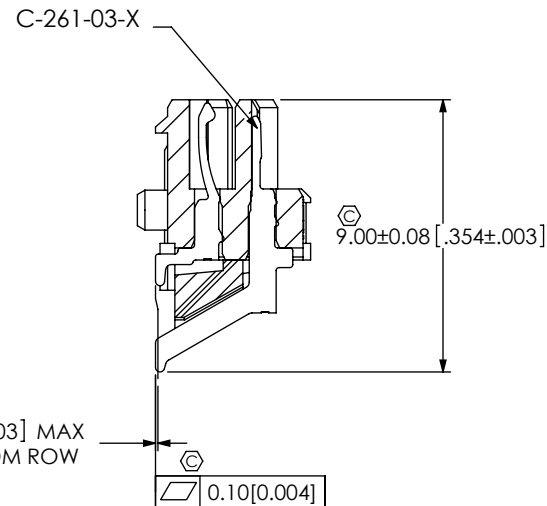


FIG. 6
(IN PROCESS 3)



SECTION "D"-"D"
SCALE 4:1

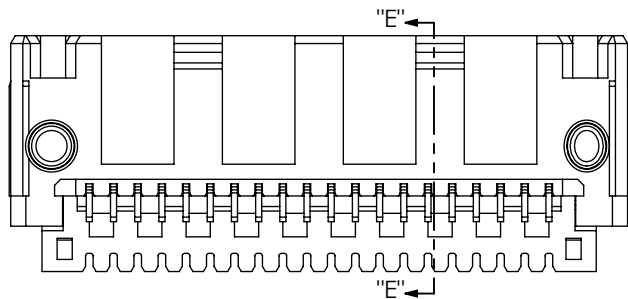
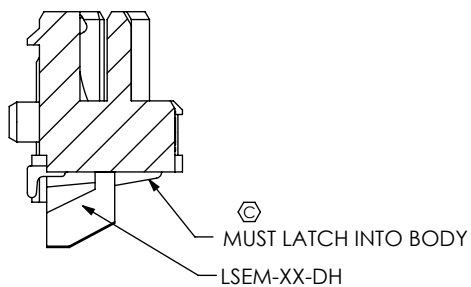


FIG. 5
(IN PROCESS 2)



SECTION "E"-"E"
SCALE 4:1

PROPRIETARY NOTE

THIS DOCUMENT CONTAINS INFORMATION CONFIDENTIAL AND PROPRIETARY TO SAMTEC, INC. AND SHALL NOT BE REPRODUCED OR TRANSFERRED TO OTHER DOCUMENTS OR DISCLOSED TO OTHERS OR USED FOR ANY PURPOSE OTHER THAN THAT WHICH IT WAS OBTAINED WITHOUT THE EXPRESSED WRITTEN CONSENT OF SAMTEC, INC.

DO NOT SCALE DRAWING
SHEET SCALE: 5:1

samtec

520 PARK EAST BLVD, NEW ALBANY, IN 47150
PHONE: 812-944-6733 FAX: 812-948-5047
fromparent+PHONE: 812-944-6733 FAX: 812-948-5047

DESCRIPTION:
0.8mm HERMAPHRODITIC HORIZONTAL FOR LSEM -DH

DWG. NO.
LSEM-1XX-XX-X-DH-A-X-X-TR

BY: CHADP 04/08/2009 SHEET 3 OF 3