

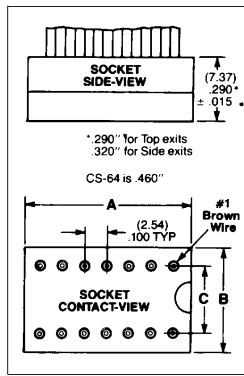
CABLE SOCKETS CS SERIES

Mates with:
AP, APS, APO,
APA, APE, APH

Note:
CS Series assemblies
are non-standard, non-
returnable.

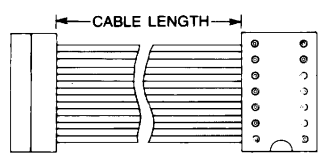


CS = Cable Socket



A	B	C	No. of Contacts
(11.43) .450			- 8
(19.05) .750			- 14
(21.59) .850	(11.94) .470	(7.62) .300	- 16
(24.13) .950			- 18
(26.67) 1.050			- 20
(29.21) 1.150	(14.48) .570	(10.16) .400	- 22
(31.62) 1.245			- 24
(36.70) 1.445	(20.19) .795	(15.24) .600	- 28
(51.94) 2.045			- 40
(82.55) 3.250	(27.18) 1.070	(22.86) .900	- 64

**Specify Cable length
in INCHES (± 1/4")
2 inches minimum**

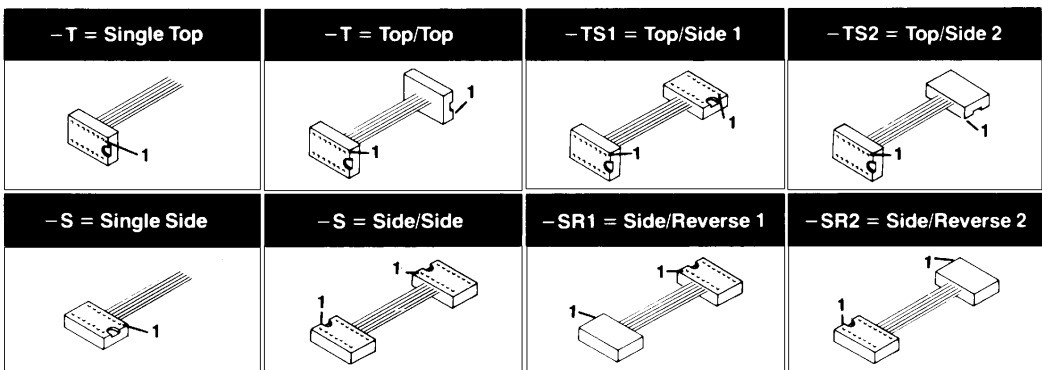


- TP = Twisted Pair Cable
 - T = Tin Plate
 - ST'X' = Stripped & Tinned
- All dimensions are ± 1/16"
- | | |
|------|------|
| -ST8 | 1/8" |
| -ST4 | 1/4" |
| -ST2 | 1/2" |
| -ST3 | 3/8" |

Specifications: CS

Same as CP except:
Insulation Material: Black G. F. Polyester & Nylon
Contact: BeCu Shell: Brass
Contact Resistance: 10 milliohms @ 200 milliamp
Lead Size Range: .015" to .022" DIA and most IC leads
Lead Insertion Depth: .095" to .150"
Insertion Force: 9oz avg, 16 oz max (.017" DIA probe);
Withdrawal Force: 2.5oz avg, 1.5 oz min (after 12 insertions with .017" DIA)

CS Entry Styles	
Contacts	Styles
8	T, S
14	T, S
16	T, S
18	T, S
20	T
22	T, S
24	T, S
28	T
40	T
64	T



Combination Assemblies

When a socket and plug combination assembly is required, specify the part number from the drawings below.

- Top/Top combinations are available on all assemblies except 48 conductors.
- Top/Side and Side/Side combinations are available on 8, 14, 16, 18, 22 and 24 conductor assemblies.

