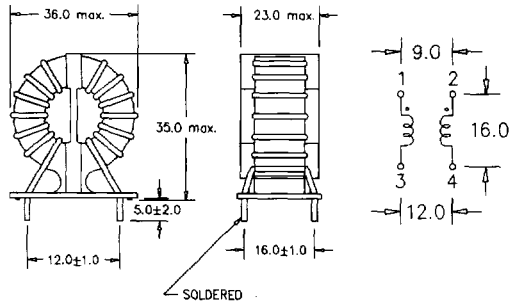
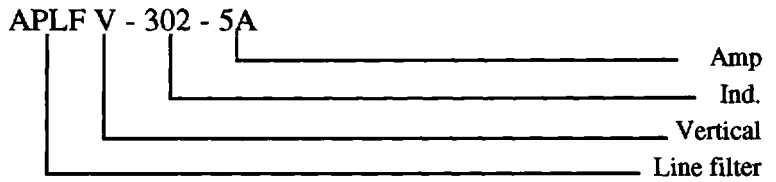


APLFV Dim. (mm)



APLFV PART NUMBER INFORMATION

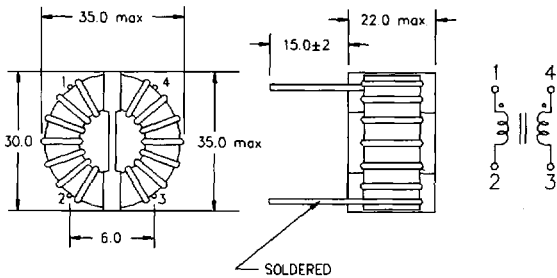


APLFV PART NUMBER GUIDE

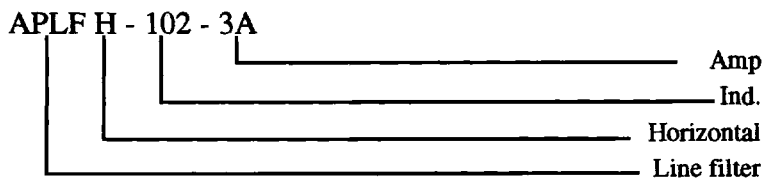
Part Number	Rated Voltage	Rated Current	Inductance min (mH) @1KHz	DC Resistance (mΩ*)	Test Voltage (V AC**)	Insulation Resistance min. (mΩ***)	Temperature Rise max.	Temperature Range
APLFV-152-3A	250	3	1.5	45	2000	100	40°C	-25 to 105°C
APLFV-502-3A	250	3	5.0	70	2000	100	40°C	-25 to 105°C
APLFV-102-5A	250	5	1.0	25	2000	100	40°C	-25 to 105°C
APLFV-302-5A	250	5	3.0	35	2000	100	40°C	-25 to 105°C
APLFV-601-8A	250	8	0.6	15	2000	100	40°C	-25 to 105°C
APLFV-201-15A	250	15	0.2	5	2000	100	40°C	-25 to 105°C

Contact factory for custom specifications

APLFH Dim. (mm)



APLFH PART NUMBER INFORMATION



APLFH PART NUMBER GUIDE

Part Number	Rated Voltage	Rated Current	Inductance min (mH) @1KHz	DC Resistance (mΩ*)	Test Voltage (V AC**)	Insulation Resistance min. (mΩ***)	Temperature Rise max.	Temperature Range
APLFH-102-3A	250	3	1.0	50	2000	100	40°C	-25 to 105°C
APLFH-152-5A	250	5	1.5	35	2000	100	40°C	-25 to 105°C
APLFH-302-3A	250	3	3.0	80	2000	100	40°C	-25 to 105°C
APLFH-301-9A	250	9	0.3	15	2000	100	40°C	-25 to 105°C
APLFH-601-9A	250	9	0.6	20	2000	100	40°C	-25 to 105°C
APLFH-151-12A	250	12	0.15	8	2000	100	40°C	-25 to 105°C

Contact factory for custom specifications

All specifications subject to change without notice * Line at one side ** For one minute between lines *** At 500V DC between lines