

Automotive Applications The Use of Discrete Constant Current Regulators (CCR) For CHMSL Lighting

Prepared by: Brian Blackburn (FAE),
Mike Sweador (AE)
ON Semiconductor

LEDs are being proliferated into many automotive lighting applications. The Center High Mount Stop Lamp (CHMSL) is one of several automotive applications for LEDs. Interior lighting is another area where LEDs are very well suited due to their small size and high efficiency. Recent advancements in higher efficiency LEDs at lower costs have made these light sources the technology of choice for automotive lighting.

Since LED brightness is determined by operating current, optimum intensity may require a constant current approach to maintain consistent luminosity over the wide variation of battery voltage possible in automotive electrical systems. Battery voltage typically is 13.5 V; however, it can range from as low or less than 9 V in a faulty charging system to 24 V for several minutes in a double battery jump scenario. The list of potential automotive lighting LED applications includes:

- CHMSL Arrays
- Instrument Cluster Backlighting
- Switch Cluster Backlighting and Tell-Tales (Icon Lighting)
- Dome Lighting
- Mirror Lights
- Fog Lights
- Convenience Lighting
- RGB Ambient Lighting
- Emergency Flashlight

Each application requires specific attention to light output and optical design, LED circuit topology, driver current requirements, and thermal management. It is the intent of this article to concentrate on CHMSL LED circuit requirements, and to discuss thermal management as it applies to the driver circuitry.

An innovative use of a new Patent Pending Discrete Technology (Constant Current Regulator – CCR) will be



ON Semiconductor®

<http://onsemi.com>

APPLICATION NOTE

shown to have several distinct advantages for controlling the LED operating current compared to the common method of selecting a bias resistor to adjust the LED operating current.

Figure 1 shows a typical I-V curve for the NSI45030T1G device. The CCR is a current regulator that offers outstanding regulation for LEDs and other applications requiring a low cost, stable current source. Unlike costly switching regulators, a CCR is relatively EMI free, does not require startup circuitry, and operates as a current source or sink. Current regulation can be achieved for Anode-Cathode voltages ranging from as little as 1.8 V. No external components are required to regulate the typical value of 30 mA. Since these are CCR sources, parallel arrangements allow for higher load current applications. (Figure 7)

The CCR reduces the complexity of resistor biased designs for sensitive loads such as LED strings connected in series (Figure 4). Simply apply a voltage greater than V_{overhead} to achieve an accurate regulated current.

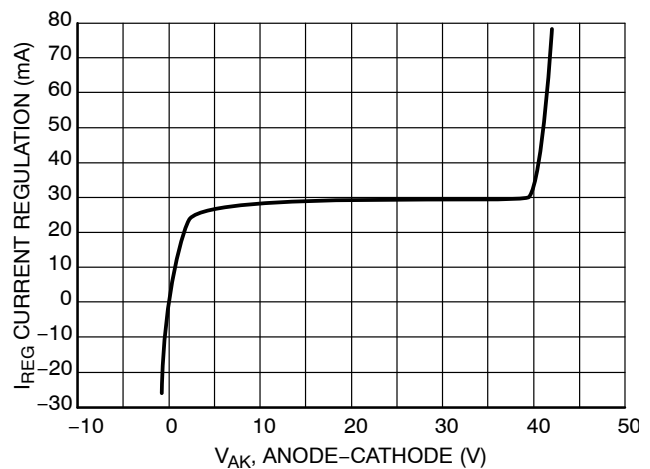


Figure 1. CCR IV Characteristics

A CCR is a nearly ideal current source providing constant current regardless of applied voltage above its operating minimum. In simple terms, a CCR can be considered a nonlinear voltage controlled resistor.

The Power Dissipation (P_d) in an LED is $P_d = I V$. Since the CCR acts as a voltage controlled resistor while the resistor biasing fixes the resistor value, the LED Power dissipation is shown to be nearly constant over a variable battery range. (Figure 3)

For automotive CHMSLs, a constant current source for LEDs reduces stress conditions caused by overdriving with current as compared to resistor biasing. A Reverse protection diode (MBRS140T3 in Figure 4) prevents a reverse voltage condition which can permanently damage an

LED and protects the CCR from conducting in the reverse bias mode (Figure 1).

A basic CHMSL configuration with 3 Red LEDs in series is shown in Figure 4. A CCR provides a uniform intensity over full line voltage swings and greatly reduces LED power dissipation as compared to common resistor biasing. At 9 V battery input, a CCR provides a higher current than a typical biasing resistor value would provide (Figure 3). At 16 V a stable, constant current is supplied by the CCR.

Figure 2 shows a comparison of CCR vs. Resistor Bias current over battery voltage variation from 9 V to 16 V. The LED current, and therefore intensity, is constant with the CCR device compared to the resistor bias.

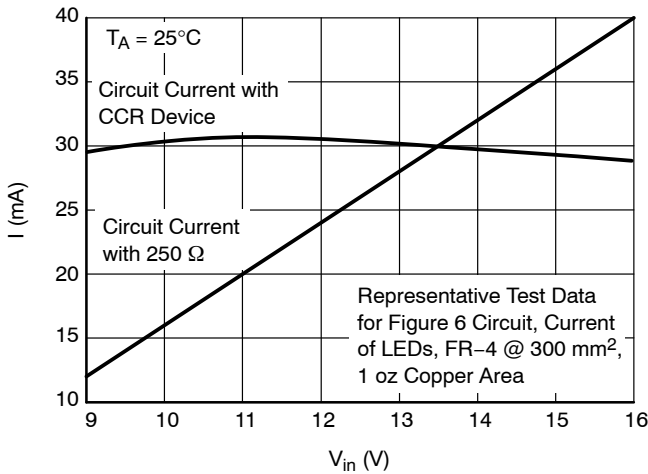


Figure 2. Series Circuit Current

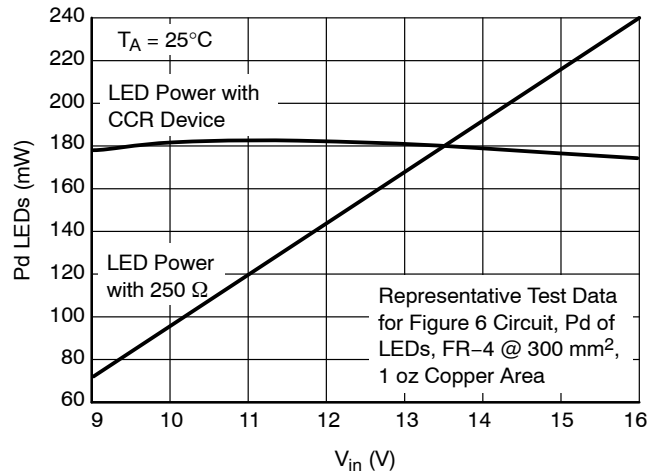


Figure 3. LED Power

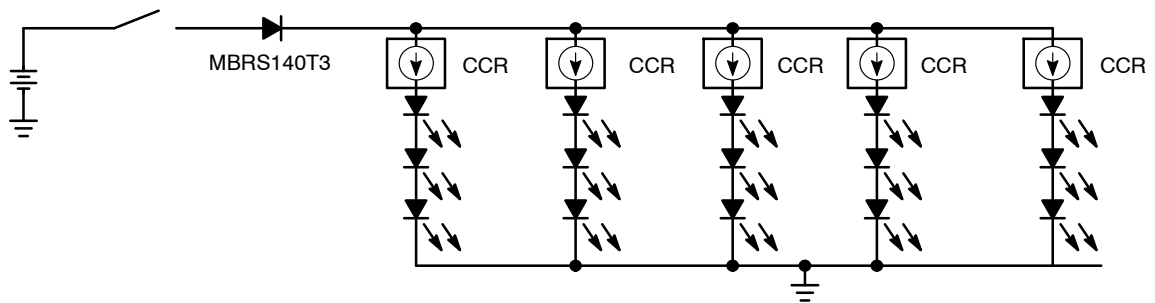


Figure 4.

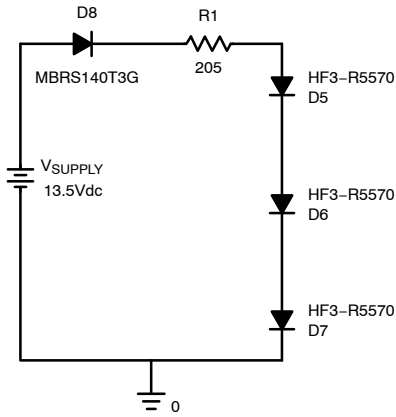


Figure 5.

Figure 5 shows a typical resistive bias for a single CHMSL LED string. The resistor value is calculated to take into account the V_{fwd} across the series connected LED string. If a specific supply voltage, such as 13.5 V, is used, a specific resistor can be chosen to supply a 30 mA drive current.

Example for a 3 Red LED String:

$$V_{supply} - V_{sw_bat} - V_{rpd} - (I_{led} \times R_1) - (3 \times V_{fwd}) = 0 \text{ V}$$

$$V_{sw_bat} = 0 \text{ V}$$

$$V_{supply} = 13.5 \text{ V Typical}$$

$$V_{rpd} = 0.8 \text{ V}$$

$$V_{fwd} = 2.20 \text{ V}$$

$$I_{led} = 30 \text{ mA}$$

$$R_1 = \frac{13.5 \text{ V} - 0.8 \text{ V} - 3(2.20 \text{ V})}{30 \text{ mA}}$$

$$= 203 \Omega \text{ or } 205 \Omega \text{ (Standard 1\% Value).} \quad (\text{eq. 1})$$

This method for setting the current with a specific resistor is well known. By knowing the LEDs worst case V_{fwd} , and the light intensity required, a specific range of resistor values can be chosen. However, as the supply voltage varies from 9 V to 16 V, the current changes in the LED which affects the intensity. With the same 205 Ω resistor and 9 V supply, rearranging the equation and solving for I_{led} yields 7.8 mA. Assuming all of the parameters remain constant and the supply voltage is elevated to 16 V, an I_{led} value of 42 mA is calculated. Again, the intensity of the LED is affected.

A CCR from ON Semiconductor would keep the current and intensity constant over this supply voltage range (Figure 2).

Here is how you can use ON Semiconductor's CCR to determine how many series LEDs it can drive.

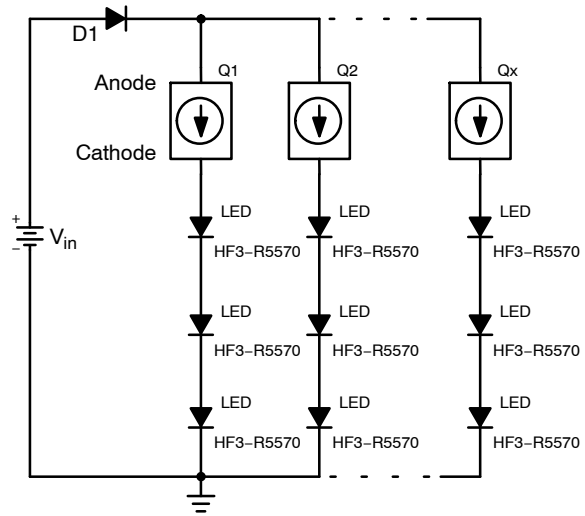


Figure 6. Typical Application Circuit (30 mA each LED String)

Number of LED's that can be connected is determined by:

D1 is a reverse battery protection diode

$$\text{LED's} = (V_{in} - (Q_x V_F + D1 V_F)) / \text{LED } V_F$$

Example: $V_{in} = 12 \text{ Vdc}$, $Q_x V_F = 3.5 \text{ Vdc}$, $D1 V_F = 0.7 \text{ V}$

LED $V_F = 2.2 \text{ Vdc}$ @ 30 mA

$(12 \text{ Vdc} - 4.2 \text{ Vdc}) / 2.2 \text{ Vdc} = 3 \text{ LEDs in series.}$

For application versatility, if more Current drive is required, the CCRs can be connected in parallel to boost the regulated current.

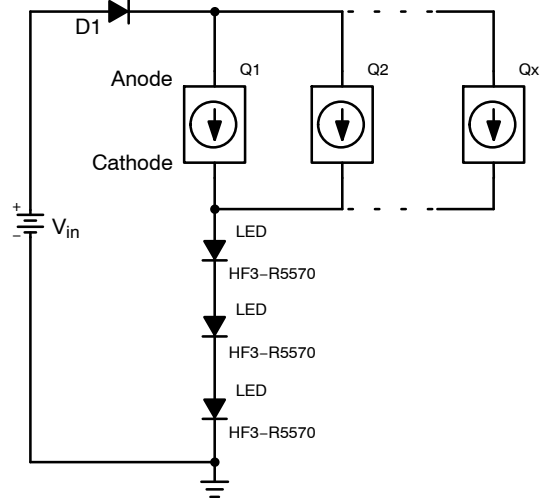


Figure 7. Typical Application Circuit (90 mA each LED String)

Number of LED's that can be connected is determined by:

D1 is a reverse battery protection diode

$$\text{LED's} = (V_{in} - (Q_x V_F + D1 V_F)) / \text{LED } V_F$$

Example: $V_{in} = 12 \text{ Vdc}$, $Q_x V_F = 3.5 \text{ Vdc}$, $D1 V_F = 0.7 \text{ V}$

LED $V_F = 2.6 \text{ Vdc}$ @ 90 mA

$(12 \text{ Vdc} - (3.5 + 0.7 \text{ Vdc})) / 2.6 \text{ Vdc} = 3 \text{ LEDs in series.}$

Number of Drivers = LED current/30 mA

$90 \text{ mA} / 30 \text{ mA} = 3 \text{ Drivers (Q1, Q2, Q3)}$

AND8349/D

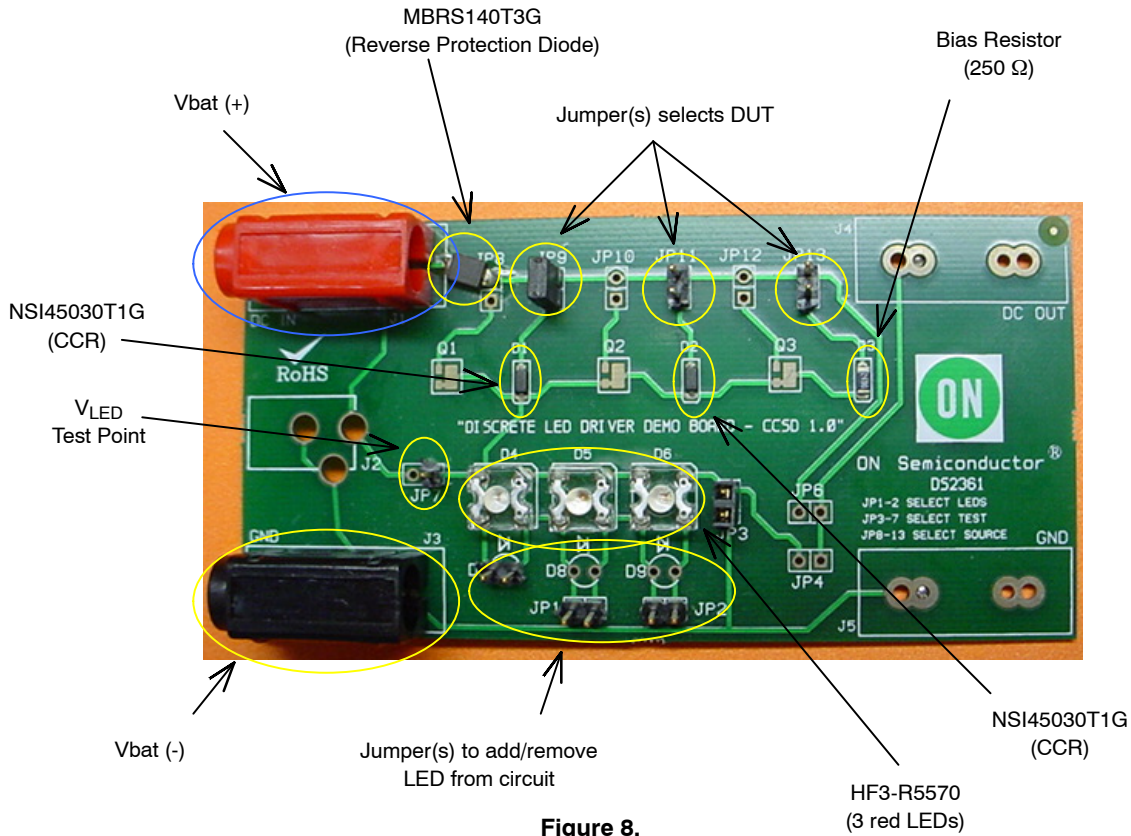


Figure 8.

CCR Demo Board

This demo board (Figure 8) is the circuit shown in Figure 6. It is used to generate several curves and can be used to validate the CCR operation.

Figure 9 shows a comparison of power dissipation in a CCR vs. Power dissipation in a Bias Resistor over battery voltage variation from 9 V to 16 V. The CCR Power is less than a Bias Resistor at higher operating voltages. At higher Battery voltage, a higher wattage Power resistor would be required increasing the circuit cost.

Figure 10 shows a typical Current / Voltage curve for a CCR device. ON Semiconductor's CCR is designed to have

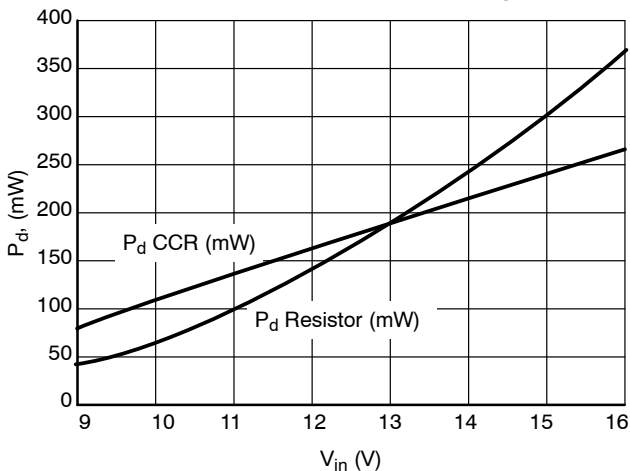


Figure 9. CCR P_d vs. Resistor P_d

a slight negative trend as the power dissipation increases. This negative trend reduces the power dissipation in the CCR compared to the increasing power dissipation for a bias resistor (Figure 9) and helps to prevent thermal runaway. Since reduction in current is small, the change in LED intensity is minimal.

Figure 11 shows thermal estimates for the NSI45030T1G device with various heatsink footprints. If the heatsink area is increased, the ambient operating temperature may be increased. It is up to the circuit designer to understand the thermal environment of the application and allow for device thermals as specified in the device data sheet.

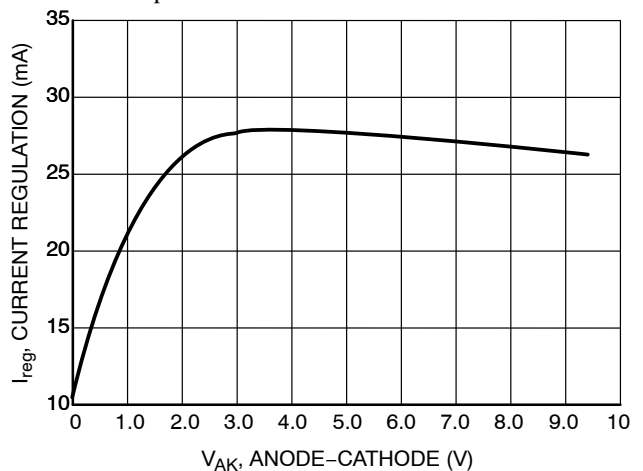
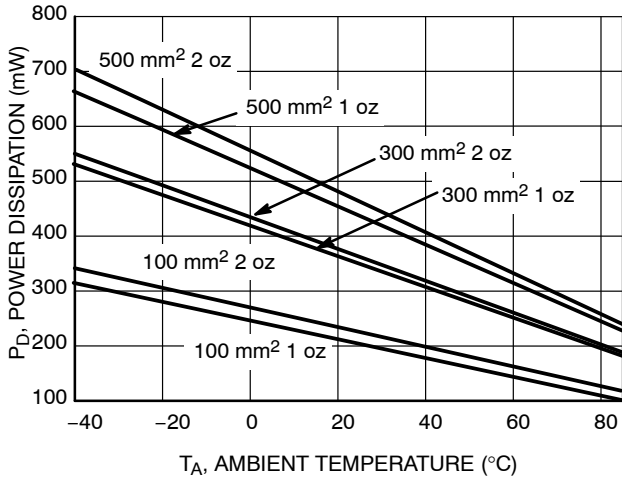


Figure 10. CCR-IV Characteristics @ 25°C

THERMAL ESTIMATES FOR THE SOD-123 CCR DEVICE



P_D max @ 85°C

500 mm ² 2 oz Cu	241 mW
500 mm ² 1 oz Cu	228 mW
300 mm ² 2 oz Cu	189 mW
300 mm ² 1 oz Cu	182 mW
100 mm ² 2 oz Cu	117 mW
100 mm ² 1 oz Cu	108 mW

Figure 11. Power Dissipation vs. Ambient Temperature @ T_J = 150°C for Variable Copper Heat Spreader

Summary:

Simple, Economical and Robust (SER), the solid state CCR will allow the user to achieve the expected long life of their LED array.

CCRs will improve the efficiency and extend the life of CHMSL LEDs. They will minimize design time and speed up time to market.

Eliminating the large range of resistor values that must be uniquely chosen to compensate for the LED's variation in its V _{fwd} is the best benefit to CCR LED biasing.

Since LED brightness is determined by operating current, optimum intensity will be attained by using a CCR approach to maintain consistent luminosity over the wide variation of battery voltage in automotive electrical systems.

SOT-223 package devices are also available which improve power dissipation. See application note AND8391/D for a thorough thermal discussion for both the SOD-123 and SOT-223 packages.

AND8349/D

APPENDIX A

SOD-123 devices are:

NSI45020T1G, Steady State $I_{reg(SS)} = 20 \text{ mA} \pm 15\%$
NSI45025T1G, Steady State $I_{reg(SS)} = 25 \text{ mA} \pm 15\%$
NSI45030T1G, Steady State $I_{reg(SS)} = 30 \text{ mA} \pm 15\%$
NSI45020AT1G, Steady State $I_{reg(SS)} = 20 \text{ mA} \pm 10\%$
NSI45025AT1G, Steady State $I_{reg(SS)} = 25 \text{ mA} \pm 10\%$
NSI45030AT1G, Steady State $I_{reg(SS)} = 30 \text{ mA} \pm 10\%$

SOT-223 devices are:

NSI45025ZT1G, Steady State $I_{reg(SS)} = 25 \text{ mA} \pm 15\%$
NSI45030ZT1G, Steady State $I_{reg(SS)} = 30 \text{ mA} \pm 15\%$
NSI45025AZT1G, Steady State $I_{reg(SS)} = 25 \text{ mA} \pm 10\%$
NSI45030AZT1G, Steady State $I_{reg(SS)} = 30 \text{ mA} \pm 10\%$

APPENDIX B

Application Note	Title
AND8391/D	Thermal Considerations for the ON Semiconductor Family of Discrete Constant Current Regulators (CCR) for Drivings LEDs in Automotive Applications
AND8220/D	How To Use Thermal Data Found in Data Sheets
AND8222/D	Predicting the Effect of Circuit Boards on Semiconductor Package Thermal Performance
AND8223/D	Predicting Thermal Runaway

The products described herein (NSI45030T1G) has patents pending.

ON Semiconductor and **ON** are registered trademarks of Semiconductor Components Industries, LLC (SCILLC). SCILLC reserves the right to make changes without further notice to any products herein. SCILLC makes no warranty, representation or guarantee regarding the suitability of its products for any particular purpose, nor does SCILLC assume any liability arising out of the application or use of any product or circuit, and specifically disclaims any and all liability, including without limitation special, consequential or incidental damages. "Typical" parameters which may be provided in SCILLC data sheets and/or specifications can and do vary in different applications and actual performance may vary over time. All operating parameters, including "Typicals" must be validated for each customer application by customer's technical experts. SCILLC does not convey any license under its patent rights nor the rights of others. SCILLC products are not designed, intended, or authorized for use as components in systems intended for surgical implant into the body, or other applications intended to support or sustain life, or for any other application in which the failure of the SCILLC product could create a situation where personal injury or death may occur. Should Buyer purchase or use SCILLC products for any such unintended or unauthorized application, Buyer shall indemnify and hold SCILLC and its officers, employees, subsidiaries, affiliates, and distributors harmless against all claims, costs, damages, and expenses, and reasonable attorney fees arising out of, directly or indirectly, any claim of personal injury or death associated with such unintended or unauthorized use, even if such claim alleges that SCILLC was negligent regarding the design or manufacture of the part. SCILLC is an Equal Opportunity/Affirmative Action Employer. This literature is subject to all applicable copyright laws and is not for resale in any manner.

PUBLICATION ORDERING INFORMATION

LITERATURE FULFILLMENT:
Literature Distribution Center for ON Semiconductor
P.O. Box 5163, Denver, Colorado 80217 USA
Phone: 303-675-2175 or 800-344-3860 Toll Free USA/Canada
Fax: 303-675-2176 or 800-344-3867 Toll Free USA/Canada
Email: orderlit@onsemi.com

N. American Technical Support: 800-282-9855 Toll Free
USA/Canada
Europe, Middle East and Africa Technical Support:
Phone: 421 33 790 2910
Japan Customer Focus Center
Phone: 81-3-5773-3850

ON Semiconductor Website: www.onsemi.com
Order Literature: <http://www.onsemi.com/orderlit>
For additional information, please contact your local Sales Representative