



7/16 DIN Female Low PIM Connector Clamp/Non-Solder Contact Attachment For 1/2" Flexible, PE-1/2FAC

TECHNICAL DATA SHEET

PE44740

7/16 DIN Female Connectors

These Pasternack Enterprises' high performance connectors are designed to fit on most commercially available 1/2" flexible, annular corrugated copper cables and aluminum cables. These connectors are perfect for applications requiring low PIM levels, with outstanding RF performance and are easy to install in the field.

Features of the new connectors include:

- Tri-metal coating resulting in a very durable surface with good corrosion protection while providing superior electrical conductivity and exceptional PIM performance
- PIM performance of ≤ -160 dBc. VSWR levels of ≤ 1.10 up to 3GHz
- Available in 7/16 DIN and Type N series with both male and female interfaces
- O Rings gaskets provide a reliable long term weather seal
- Designed to fit on most commercially available 1/2" corrugated copper and aluminum cables

Configuration

Connector	7/16 DIN Female
Connector Interface Type	1/2" Flexible, PE-1/2FAC
Cable Attachment Method (Shield/Contact)	Clamp/Non-Solder Contact
Connector Design	Low PIM
Body Style	Straight

Electrical Specifications

Frequency Range, GHz	DC to 3
Impedance, Ohms	50
Maximum VSWR	1.1:1
Maximum Insertion Loss, dB	0.1
Dielectric Withstanding Voltage, Vrms	4,000
Maximum Passive Intermodulation (2 x 20 Watts), dBc	-160

Mechanical Specifications

Temperature

Operating Range, deg C	-40 to +85
------------------------	------------

Size

Length, in [mm]	2.12 [53.85]
Width/Dia., in [mm]	1.14 [28.96]
Weight, lbs [g]	0.28 [127.01]

Click the following link (or enter part number in "SEARCH" on website) to obtain additional part information including price, inventory and certifications: [7/16 DIN Female Low PIM Connector Clamp/Non-Solder Contact Attachment For 1/2" Flexible, PE-1/2FAC PE44740](#)

The information contained in this document is accurate to the best of our knowledge and representative of the part described herein. It may be necessary to make modifications to the part and/or the documentation of the part, in order to implement improvements. Pasternack reserves the right to make such changes as required. Unless otherwise stated, all specifications are nominal.



7/16 DIN Female Low PIM Connector Clamp/Non-Solder
Contact Attachment For 1/2" Flexible, PE-1/2FAC

TECHNICAL DATA SHEET

PE44740

Connector

Type	7/16 DIN Female
Mating Cycles	500
Contact Material and Plating	Spring Copper, Silver
Contact Plating Specification	200 [5] μ in. [μ m] minimum
Outer Conductor Material and Plating	Brass, Tri-Metal
Outer Conductor Plating Specification	78 [2] μ in. [μ m] minimum
Body Material and Plating	Brass, Tri-Metal
Body Plating Specification	78 [2] μ in. [μ m] minimum
Dielectric Type	TPX

Compliance Certifications (visit www.Pasternack.com for current document)

RoHS Compliant	Yes
----------------	-----

Plotted and Other Data

Notes:	Values at 25 °C, sea level
--------	----------------------------

7/16 DIN Female Low PIM Connector Clamp/Non-Solder Contact Attachment For 1/2" Flexible, PE-1/2FAC from Pasternack Enterprises has same day shipment for domestic and International orders. Our RF, microwave and fiber optic products maintain a 99% availability and are part of the broadest selection in the industry.

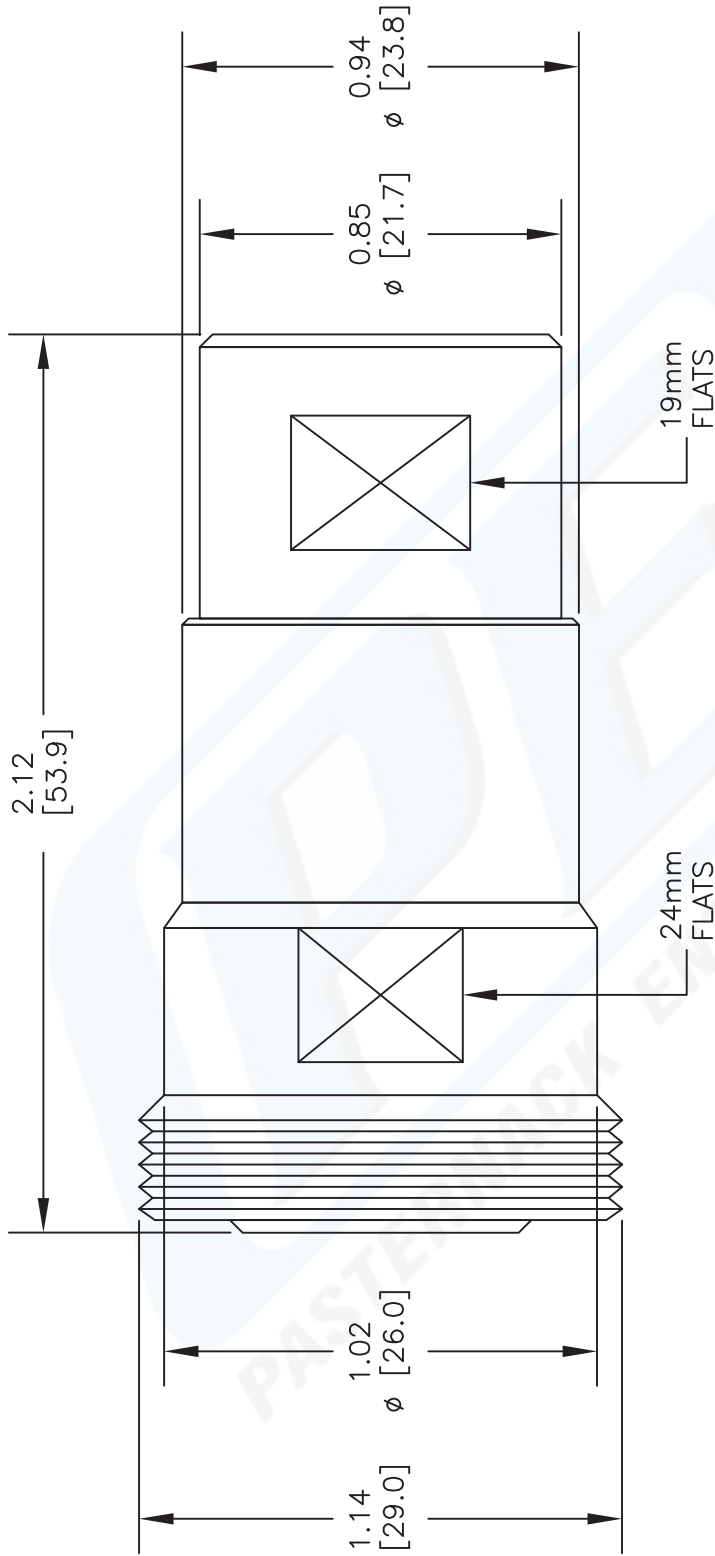
Click the following link (or enter part number in "SEARCH" on website) to obtain additional part information including price, inventory and certifications: [7/16 DIN Female Low PIM Connector Clamp/Non-Solder Contact Attachment For 1/2" Flexible, PE-1/2FAC PE44740](http://www.pasternack.com/7-16-female-standard-1-2-inch-flexible-pe-1-2sfhc-connector-pe44740-p.aspx)

URL: <http://www.pasternack.com/7-16-female-standard-1-2-inch-flexible-pe-1-2sfhc-connector-pe44740-p.aspx>

The information contained in this document is accurate to the best of our knowledge and representative of the part described herein. It may be necessary to make modifications to the part and/or the documentation of the part, in order to implement improvements. Pasternack reserves the right to make such changes as required. Unless otherwise stated, all specifications are nominal.

PE44740 CAD Drawing

7/16 DIN Female Low PIM Connector Clamp/Non-Solder
Contact Attachment For 1/2" Flexible, PE-1/2FAC



7/16
FEMALE

NOTES:
1. UNLESS OTHERWISE SPECIFIED ALL DIMENSIONS ARE NOMINAL.
2. ALL SPECIFICATIONS ARE SUBJECT TO CHANGE WITHOUT NOTICE AT ANY TIME.
3. DIMENSIONS ARE IN INCHES [mm].

DWG TITLE
PE44740

PASTERNAK ENTERPRISES, INC.
P.O. BOX 16759, IRVINE, CA 92623
PHONE (949) 261-1920 FAX (949) 261-7451
WEB ADDRESS: www.pasternack.com
E-MAIL ADDRESS: sales@pasternack.com
COAXIAL & FIBER OPTICS



2233

SIZE A

SCALE N/A

DATE 081612

FSCM NO. 53919

REV. -