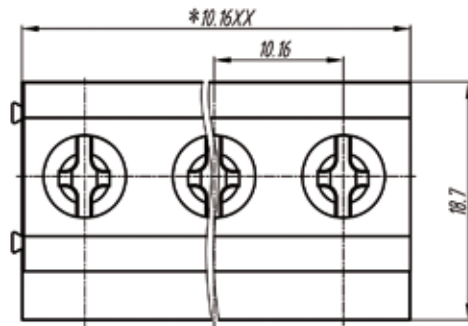
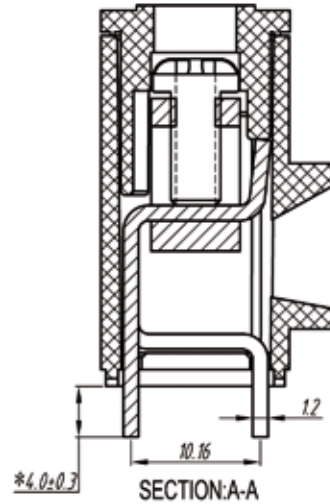
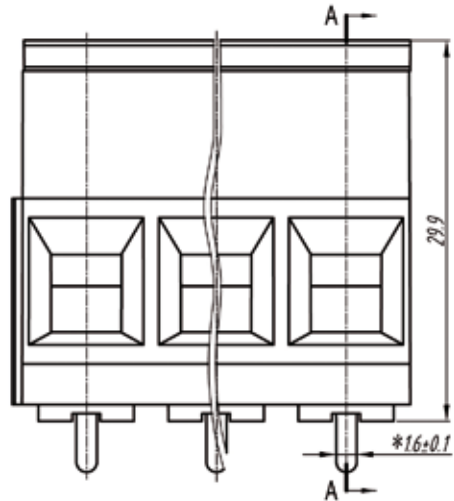
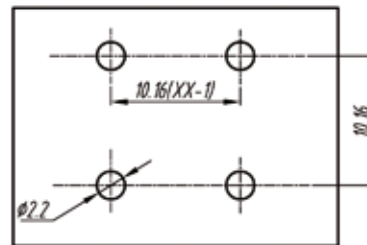


euro-block

product specification



P.C.B.LAYOUT



Electrical

Standard: UL-IEC
 Rated voltage: 300V-750V
 Rated current: 52A-57A
 Wire range: 20-6AWG-10.0mm²
 Withstanding voltage: AC2000V/1Min

Mechanical

Torque: 1.2Nm (10.5Lb'in)
 Temp.Range: -30°C~+120°C
 Strip length: 10mm

Dimensions

Pitch: 10.16mm (0.400")
 Poles: 1p-xxp

Material

Housing: PTB, UL94V-0
 Screws: M4, steel, Zinc plated
 Pin header: Brass, Tin plated
 Wire guard: Brass, Ni plated

TOLERANCES EXCEPT AS NOTED

variable range	linear dimension				fillet	chamfer	short angle sid				≡	-	□	//	⊥	
	to 6	over 6 to 30	over 30 to 120	over 120 to 480	all	over 6 to 6	over 10 to 10	over 50 to 50	over 120 to 120	all	to 5	over 5 to 30	over 30 to 120	over 120 to 120		
tolerance	±0.1	±0.2	±0.3	±0.5	±0.2	±0.5	±1	1'	30'	20'	10'	0.5	0.025	0.06	0.12	0.4

UNITS	mm	SIZE	A4	SCALE	FIRST ANGLE PROJECTION	
euro-block						
					NAME	MRP10-V