

HDMI Connector

SPECIFICATIONS

Mechanical

Mating Force: initial 3Kgf max.
Unmating Force: initial 0.3~3Kgf max.
Durability: 150 cycles.

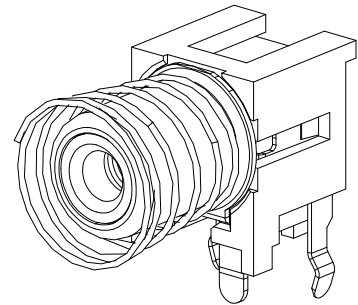
Electrical

Current Rating: 0.3A
Contact Resistance: Initial 30mΩ max.
Dielectric Withstanding Voltage: 500V AC (Rms.)
Insulation Resistance: 100MΩ min.

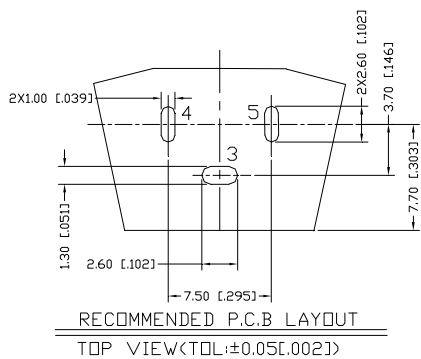
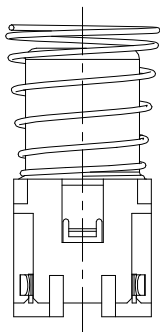
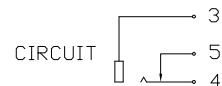
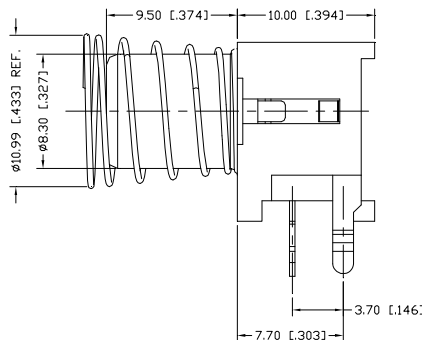
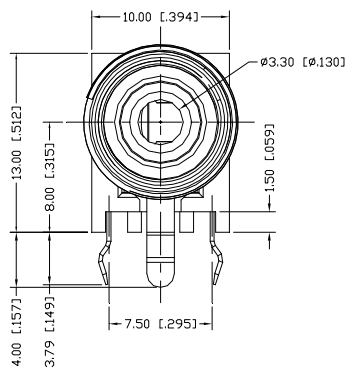
Physical

Housing: Thermoplastic, UL 94V-0
Contact and Shell: Copper alloy & Iron alloy
Plating: See "ORDERING INFORMATION"
Operating Temperature: -40°C to +85°C

RCA JACK Series
Right Angle, T/H Type
1X1 Structure



DRAWING



ORDERING INFORMATION

