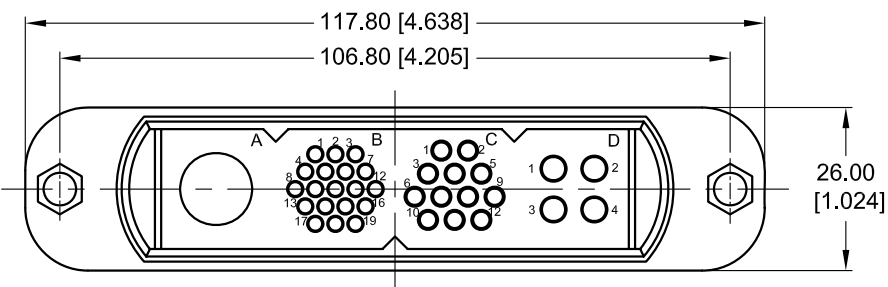
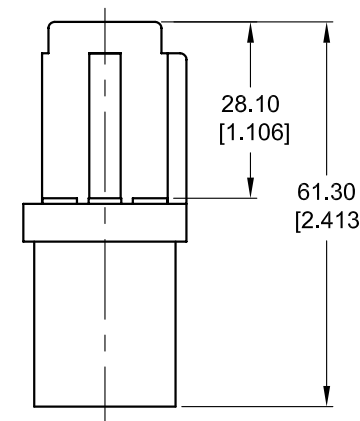
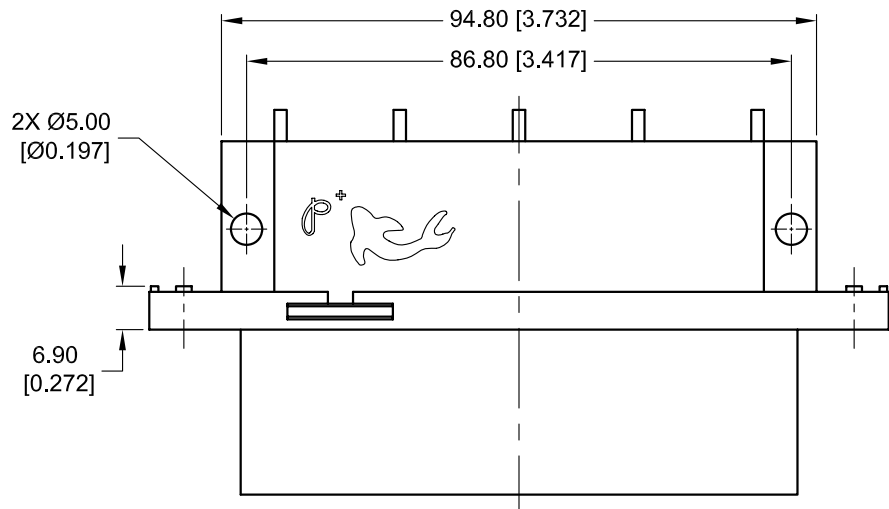


POSITRONIC ASIA PTE. LTD. BELIEVES THE DATA ON THE DRAWING TO BE RELIABLE. SINCE THE TECHNICAL INFORMATION IS GIVEN FREE OF CHARGE, THE USER EMPLOYS SUCH INFORMATION AT HIS OWN DISCRETION AND RISK. POSITRONIC ASIA PTE. LTD. ASSUMES NO RESPONSIBILITY FOR RESULTS OBTAINED OR DAMAGES INCURRED FROM USE OF SUCH INFORMATION IN WHOLE OR IN PART.

DATE	REV	REVISION RECORD	DRN	CKD	APP
12 FEB 07	NC	PA ECO 07035	KM	NK	KS
05 APR 07	A	PA ECO 07074	NK	KM	KS
16 JAN 08	B	PA ECO 08012	MB	HM	KS
18 JUL 08	C	PA ECO 08144	KA	EH	NK



DRAWING NO.	PART NUMBER	REMARKS
ASK21049-1	GG8567M10	-
ASK21049-2	GG8567M10/AA	RoHS COMPLIANT PER RoHS DIRECTIVE 2002/95/EC OF 27 JAN 2003.

POSITRONIC ASIA PTE. LTD.
 3014A UBI ROAD 1, #07-01. SINGAPORE 408703.
 Tel: (65) 6842-1419 / Fax: (65) 6842-1421 / Email: singapore@connectpositronic.com

NOTES:

- MATERIALS AND FINISHES:
INSULATOR: GLASS FILLED NYLON 6-6, UL 94V-0. COLOR: ORANGE.
- CONTACTS ORDERED SEPARATELY.
- DIMENSIONS ARE IN MILLIMETERS [INCHES]

 GENERAL TOL. LINEAR : ±0.38 [0.015] ANGULAR : ± 5°	SERIES GG	SCALE NTS	DRAWN KM	CHECKED NK	APPROVED KS
	TITLE GG8567M10 GG8567M10/AA				
UNLESS OTHERWISE SPECIFIED, ALL DIMENSIONS ARE IN MILLIMETERS [INCHES]	DATE 12 FEB 07	DRAWING NUMBER ASK21049-*	SHEET 1 OF 1		REV. C

Unless otherwise stated, Positronic code and part number are marked on each connector. The contents of the code are subjected to the discretion of Positronic Asja Pte Ltd and it is for internal use only. Marking may be done on either side or both sides of the connector.