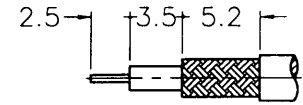
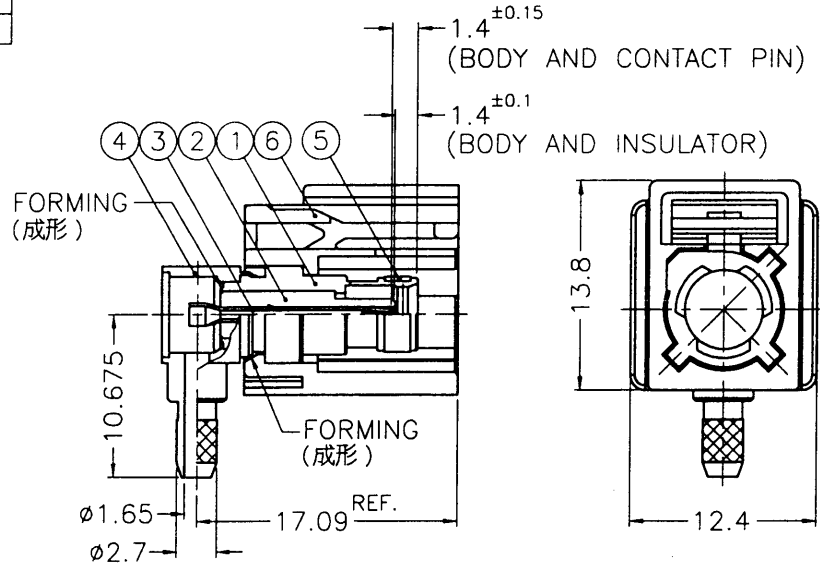
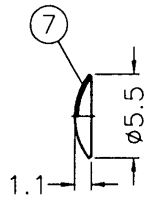


REVISIONS		
ISS	ZONE	DESCRIPTION\PER REQUEST\DATE
A1	B-6	CANCELLED L AND M KEY CODING\N/A\02-13-03'
A2	B-1	NOTES 7 WAS CHANGED\N/A\05-13-03'



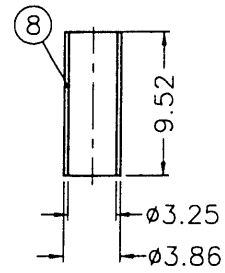
RECOMMENDED
CABLE STRIPPING DIM'S
(建議剝線尺寸)

1. CRIMPED FERRULE
HEX CRIMP SIZE .128"
2. CONTACT PIN TO SOLDER

SALES

ISSUED
2003. 5. 13
R & D

- NOTES: FINISH (PLATING THICKNESS IN MICRO-INCHES)
1. BRASS PER QQ-B-626, ALLOY 360, 1/2 H ; JIS H3250 C 3604BD OR EQUIVALENT
 2. BERYLLIUM COPPER JIS C1720R-1/4H ; ASTM B-194 OR EQUIVALENT
 3. NICKEL PL. 60 MIN. THICK OVER COPPER STRIKE
 4. GOLD PL. 30 MIN. THICK OVER NICKEL PL. 100 MIN. THICK OVER COPPER STRIKE
 5. TEFLON MIL-P-19468 ; ASTM D-1710 OR EQUIVALENT
 6. COPPER PER ASTM B-75 ALLOY C12200 OR EQUIVALENT
 7. NYLOY66(WITH 33% GLASS FIBER) PER NYTEX COMPOSITES CO., LTD. GRADE MG-0033N-V0 OR EQUIVALENT
 8. BRASS PER QQ-B-613, ALLOY 260, H ; JIS H3100 C 2680R-H OR EQUIVALENT
 9. ZINC DIECAST PER JIS H5301 ZDC2 OR EQUIVALENT
 10. NICKEL PL. 100 MIN. THICK OVER COPPER PL. 300 MIN. THICK



TABLE

KEY CODING	PART NO.	DRAWING NO.	ITEM NO.	LOCK COVER
A	FA1-NARJ-C01-3	FK6112AW-037-NT30G-50	FK6112ADA36NC5F	FKLC30601A
B	FA1-NBRJ-C01-3	FK6112BW-037-NT30G-50	FK6112ADB36NC5F	FKLC30602A
C	FA1-NCRJ-C01-3	FK6112CW-037-NT30G-50	FK6112ADC36NC5F	FKLC30603A
D	FA1-NDRJ-C01-3	FK6112DW-037-NT30G-50	FK6112ADD36NC5F	FKLC30604A
E	FA1-NERJ-C01-3	FK6112EW-037-NT30G-50	FK6112ADE36NC5F	FKLC30605A
F	FA1-NFRJ-C01-3	FK6112FW-037-NT30G-50	FK6112ADF36NC5F	FKLC30606A
G	FA1-NGRJ-C01-3	FK6112GW-037-NT30G-50	FK6112ADG36NC5F	FKLC30607A
H	FA1-NHRJ-C01-3	FK6112HW-037-NT30G-50	FK6112ADH36NC5F	FKLC30608A
I	FA1-NIRJ-C01-3	FK6112IW-037-NT30G-50	FK6112ADI36NC5F	FKLC30609A
K	FA1-NKRJ-C01-3	FK6112KW-037-NT30G-50	FK6112ADK36NC5F	FKLC30610A
Z	FA1-NZRJ-C01-3	FK6112ZW-037-NT30G-50	FK6112ADZ36NC5F	FKLC30611A

8	FERRULE	NOTE 6	NOTE 3	1	FKFRO0101A
7	PLATE	NOTE 8	NOTE 3	1	FKPA00102A
6	LOCK COVER	NOTE 7		1	SEE TABLE
5	RETAINER RING	NOTE 2	NATURAL	1	FKRR00101A
4	HOUSING	NOTE 9	NOTE 10	1	FKHS00801A
3	CONTACT PIN	NOTE 2	NOTE 4	1	FKCP01502A
2	INSULATOR	NOTE 5	NATURAL	1	FKNS01203A
1	BODY	NOTE 1	NOTE 3	1	FKBD02301A
NO.	DESCRIPTION	MATERIAL	FINISH	Q'TY	DRAWING NO.

DIMENSIONS ARE IN MILLIMETERS			
UNLESS OTHERWISE SPECIFIED TOLERANCES			
0.5-6	= ±0.2		
6-30	= ±0.4		
30-120	= ±0.6		
120-315	= ±1		
315-1000	= ±1.6		
1000-2000	= ±2.4		
SCALE	2/1	ISSUE	A2

PART NO.	FA1-NXRJ-C01-3
APPROVED	<i>Coast, 2/5</i> DATE 05-13-03'
CHECKED	<i>Coast, 2/5</i> DATE 05-13-03'
DRAWN	<i>Coast, 2/5</i> DATE 05-13-03'
FILE NO.	F:\DWG\FK\6112XX\037\50\NT30G-A1

Amphenol	
Danbury, CT, USA - Tainan, Taiwan - Shenzhen, China	
TITLE	FAKRA R/A JACK (FOR RG-174/U, 188A/U, 316/U CABLE)
DRAWING NO.	FK6112XX-037-NT30G-50
ITEM NO.	FK6112ADX36NC5F

F
E
D
C
B
A