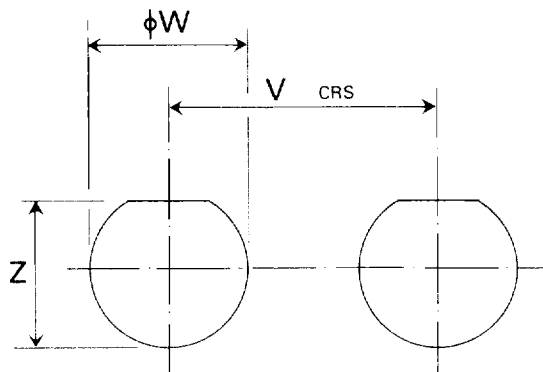
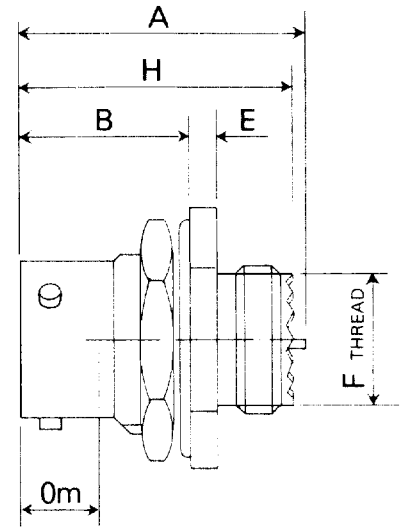
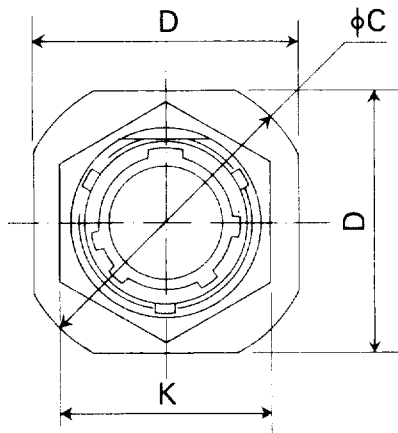
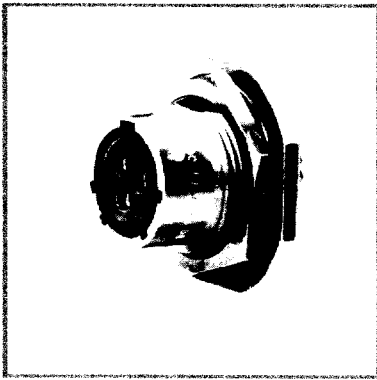


AB Style:- AB05-3200 Receptacle, Jam Nut with External Accessory Thread BS Style:- C2100

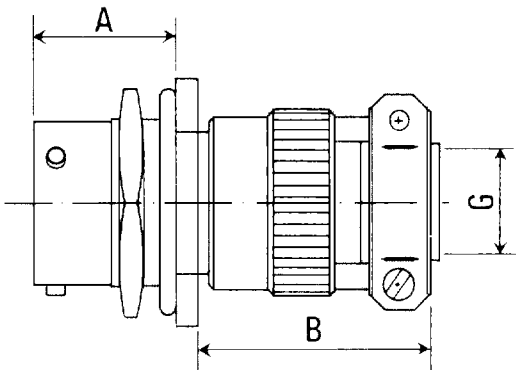


PANEL CUT-OUT DETAILS

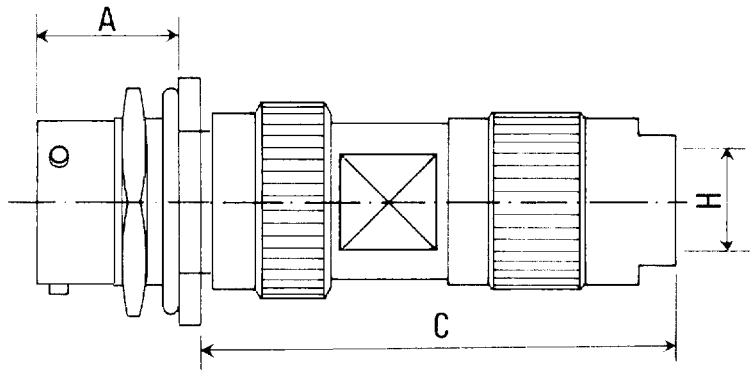
— Metric — Imperial

HOUSING (SHELL) SIZE	A max.	B max.	phi C max.	D max.	E max.	F THREAD	H max.	K max.	Om min.	PANEL THICKNESS		V	phi W	Z	MASS MAX. G
						UNEF-2A			OVERLAP	max.	min.		±0.13(-005)	±0.13(-005)	
08	26.4	15.8	27.5	24.4	3.6	7/16 -28	26.0	19.6	7.3	3.3	1.50	24.7	14.53	13.72	21
	1.04	0.62	1.08	0.96	0.14		1.02	0.77	0.29	0.13	0.06	0.97	0.572	0.540	
10	26.4	15.8	30.8	27.5	3.6	9/16 -24	26.0	22.9	7.3	3.3	1.50	28.0	17.70	16.89	27
	1.04	0.62	1.21	1.08	0.14		1.02	0.90	0.29	0.13	0.06	1.10	0.697	0.666	
12	26.4	15.8	35.6	32.3	3.6	1 1/16 -24	26.0	27.5	7.3	3.3	1.50	32.8	22.48	21.03	32
	1.04	0.62	1.40	1.27	0.14		1.02	1.08	0.29	0.13	0.06	1.29	0.885	0.628	
14	26.4	15.8	38.7	35.6	3.6	1 3/16 -20	26.0	30.8	7.3	3.3	1.50	35.9	25.65	24.18	47
	1.04	0.62	1.82	1.40	0.14		1.02	1.21	0.29	0.13	0.06	1.41	1.010	0.952	
16	26.4	15.8	42.0	38.7	3.6	1 5/16 -20	26.0	33.8	7.3	3.3	1.50	39.2	28.03	27.33	58
	1.04	0.62	1.65	1.52	0.14		1.02	1.33	0.29	0.13	0.06	1.54	1.135	1.076	
18	26.4	15.8	45.0	42.0	3.6	1 1/2 -18	26.0	37.1	7.3	3.3	1.50	43.0	32.00	30.61	62
	1.04	0.62	1.77	1.65	0.14		1.02	1.46	0.29	0.13	0.06	1.69	1.260	1.205	
20	30.4	19.6	49.6	46.5	3.6	1 3/4 -18	28.5	40.2	8.9	6.4	1.50	47.8	35.18	33.73	84
	1.30	0.77	1.95	1.83	0.14		1.12	1.58	0.35	0.25	0.06	1.88	1.385	1.328	
22	30.4	19.6	52.9	49.8	4.4	1 5/8 -18	28.5	43.5	8.9	6.4	1.50	50.8	38.35	36.81	98
	1.30	0.77	2.08	1.96	0.17		1.12	1.71	0.35	0.25	0.06	2.00	1.510	1.449	
24	30.4	20.9	56.7	52.9	4.4	1 7/8 -18	30.0	46.5	8.9	6.4	1.50	54.2	41.53	40.03	116
	1.30	0.82	2.21	2.08	0.17		1.18	1.63	0.35	0.25	0.06	2.13	1.635	1.576	

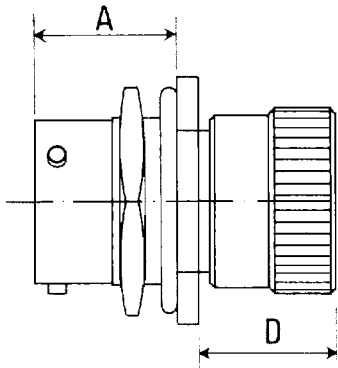
AB05-3227



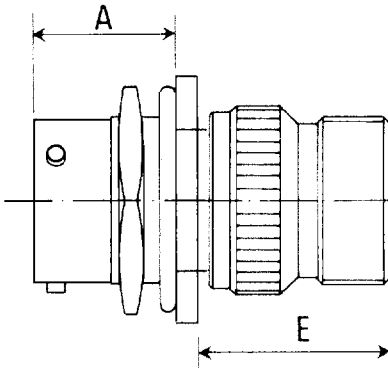
AB05-3229 (Type A & C Cables)
AB05-3230 (Type B & Q Cables)



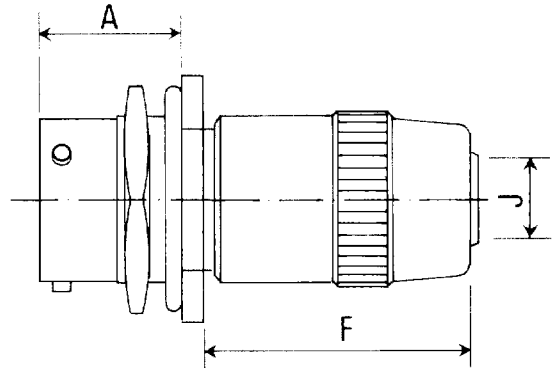
AB05-3240



AB05-3250



AB05-3255



-Metric
 -Imperial

SHELL SIZE	A max.	B	C for AB05 0029	C for AB05 0030	D	E	F	CABLE ϕ G MAX.	CABLE ϕ H MAX.	CABLE ϕ J MAX.
08	15-80	33-68	56-23	55-98	18-56	23-69	28-39	4-06	9-09	5-84
	0-622	1-326	2-214	2-204	0-731	0-933	1-118	0-160	0-358	0-230
10	15-80	33-68	56-48	56-05	18-56	23-69	28-39	5-02	9-09	7-92
	0-622	1-326	2-224	2-207	0-731	0-933	1-118	0-192	0-358	0-321
12	15-80	33-68	67-28	66-95	18-56	23-69	30-68	8-30	12-09	11-22
	0-622	1-326	2-649	2-636	0-731	0-933	1-208	0-327	0-476	0-442
14	15-80	33-68	66-77	66-82	18-56	23-69	33-98	9-77	13-20	13-69
	0-622	1-326	2-629	2-631	0-731	0-933	1-338	0-385	0-520	0-539
16	15-80	35-71	70-20	57-07	18-56	23-69	39-95	12-95	14-73	15-59
	0-622	1-406	2-764	2-727	0-731	0-933	1-573	0-510	0-580	0-614
18*										
20	19-60	38-10	69-29	*	17-02	24-58	48-18	16-12	17-17	17-06
	0-771	1-500	2-728		0-670	0-968	1-897	0-635	0-676	0-672
22*										
24	20-90	37-97	77-82	*	15-31	23-69	53-64	20-57	21-10	22-70
	0-822	1-495	3-064		0-603	0-933	2-112	0-810	0-831	0-894

* Please consult factory