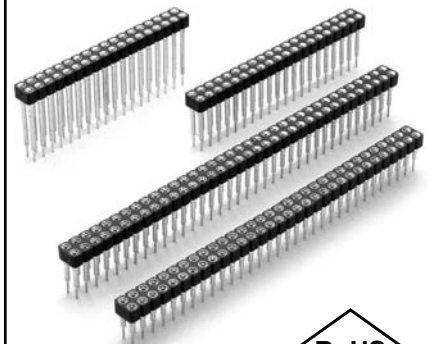


Fig. 1

- Elevated socket strips are available in 5 different standoff heights:
 416...006 uses pin # 0153-1
 416...003 uses pin # 0153-2
 416...007 uses pin # 0153-3
 416...008 uses pin # 0153-4
 416...001 uses pin # 0153-5
 See page 138 for details.
- Hi-Rel, 4-finger BeCu #30 contact is rated at 3 amps. See page 218 for details.
- Insulators are high temp. thermoplastic.



Ordering Information

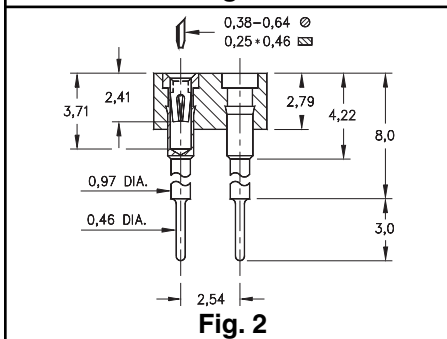


Fig. 2

Fig. 1	Series 416...006 Standoff Height = 5,99
	416-XX-2__-41-006000 Specify # of pins → 02-64

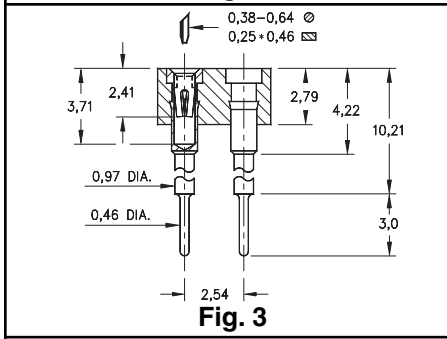


Fig. 3

Fig. 2	Series 416...003 Standoff Height = 8,0
	416-XX-2__-41-003000 Specify # of pins → 02-64

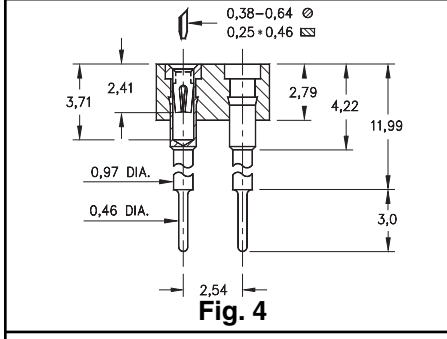


Fig. 4

Fig. 3	Series 416...007 Standoff Height = 10,21
	416-XX-2__-41-007000 Specify # of pins → 02-64

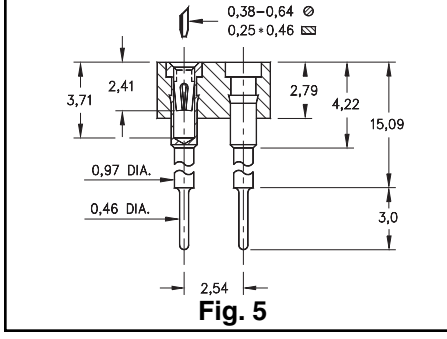


Fig. 5

Fig. 4	Series 416...008 Standoff Height = 11,99
	416-XX-2__-41-008000 Specify # of pins → 02-64

Fig. 5	Series 416...001 Standoff Height = 15,09
	416-XX-2__-41-001000 Specify # of pins → 02-64

For Electrical, Mechanical & Environmental Data, See pg. 4

XX=Plating Code See Below

For RoHS compliance select \diamond plating code.

SPECIFY PLATING CODE XX=		93		43 \diamond
Sleeve (Pin)		5,08µm Sn/Pb		5,08µm Sn
Contact (Clip)		0,76µm Au		0,76µm Au