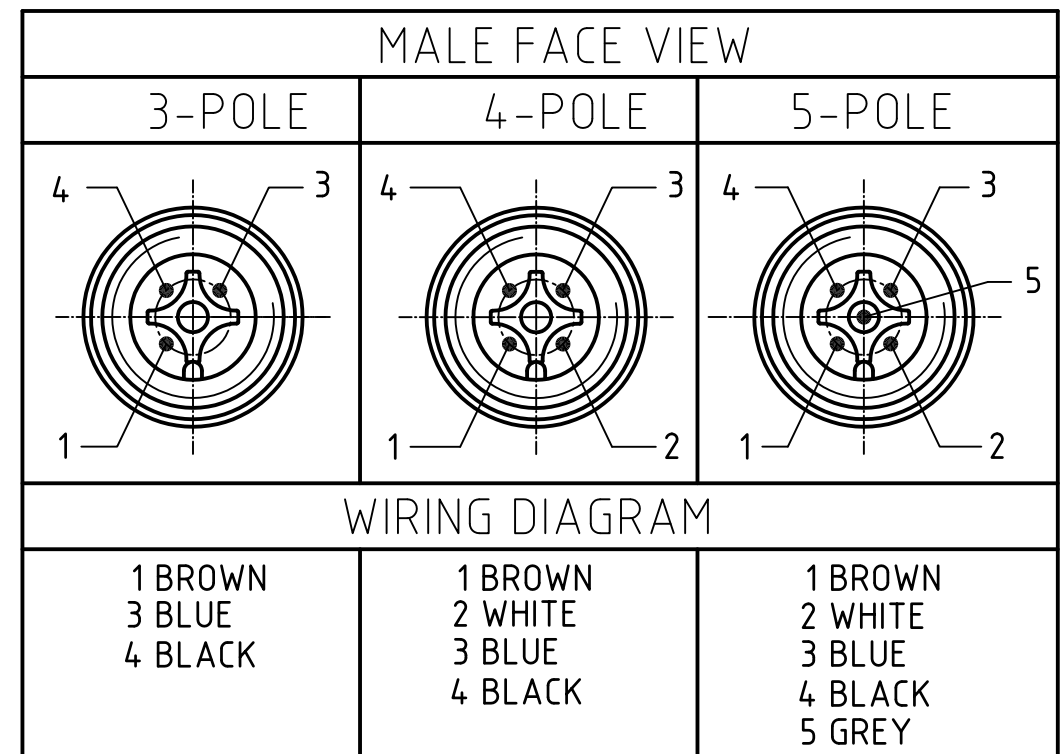


CONNECTOR SPECIFICATION:

VOLTAGE RATING	250 VAC/VDC
AMPERAGE RATING	max. 4 AMPS
PROTECTION	IP67
OPERATING TEMPERATURE	-20°C TO 105°C
UL CERTIFICATIONS	UL RECOGNIZED, FILE NO. E152210
ASSEMBLY IS	RoHS COMPLIANT



ITEM	COMPONENT	MATERIAL	FINISH
6	LABLE	MYLAR	BLACK/YELLOW
5	COUPLER	BRASS	NICKEL PLATED
4	PIN CONTACT	COPPER ALLOY	GOLD OVER NICKEL
3	INSERT	NYLON	BLACK
2	OVERMOLD	POLYURETHANE (PUR)	YELLOW
1	CABLE- 22/3-5 (COPPER STRANDING) 3/4/5 CONDUCT. 300V	JACKET: PVC	JACKET: YELLOW

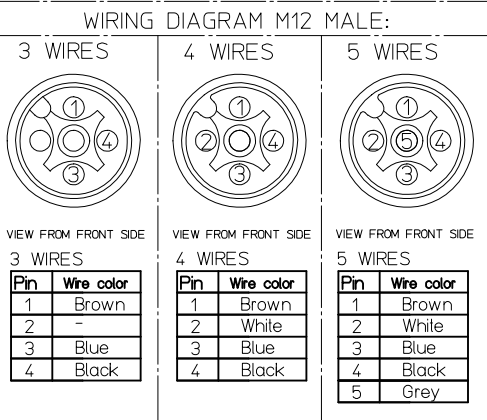
DESCRIPTION EC NO: WEU2010-0261 DRWN: LSTEMMLE 2010/01/13 CHKD: NS APPR: NSTAUDIG 2010/01/25	QUALITY SYMBOLS ▽ = 0 ▽ = 0	GENERAL TOLERANCES (UNLESS SPECIFIED) <table border="1"> <tr> <th></th> <th>mm</th> <th>INCH</th> </tr> <tr> <td>4 PLACES</td> <td>±---</td> <td>±---</td> </tr> <tr> <td>3 PLACES</td> <td>±---</td> <td>±---</td> </tr> <tr> <td>2 PLACES</td> <td>±---</td> <td>±.01</td> </tr> <tr> <td>1 PLACE</td> <td>±0.3</td> <td>±---</td> </tr> <tr> <td colspan="3">ANGULAR ± --- °</td> </tr> </table>		mm	INCH	4 PLACES	±---	±---	3 PLACES	±---	±---	2 PLACES	±---	±.01	1 PLACE	±0.3	±---	ANGULAR ± --- °			DIMENSION STYLE MM DRAWN BY: _____ DATE: _____ CHECKED BY: _____ DATE: _____ RE: 2010/01/21 APPROVED BY: _____ DATE: _____ NSTAUDIG 2010/01/25	SCALE 2:1 DESIGN UNITS METRIC 	MICRO-CHANGE CORDSET 3/4/5-POL MA STR SE 22/3-5 YELLOW PVC CABLE MOLEX INCORPORATED DOCUMENT NO. SD-120065-028 SHEET NO. 1 OF 1
		mm	INCH																				
	4 PLACES	±---	±---																				
	3 PLACES	±---	±---																				
2 PLACES	±---	±.01																					
1 PLACE	±0.3	±---																					
ANGULAR ± --- °																							
DRAFT WHERE APPLICABLE MUST REMAIN WITHIN DIMENSIONS		SEE TABLE SHEET 2 SIZE A3	THIS DRAWING CONTAINS INFORMATION THAT IS PROPRIETARY TO MOLEX INCORPORATED AND SHOULD NOT BE USED WITHOUT WRITTEN PERMISSION																				

POL	MATERIAL NUMBER	ENGINEERING NUMBER	FINISHED LENGTH
3	1200650200	803006A09M020	6.56' +3.5" -0 [2.0M +89 -0]

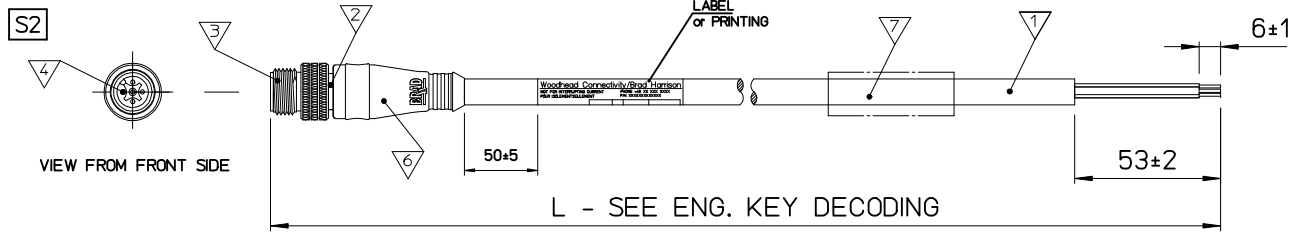
POL	MATERIAL NUMBER	ENGINEERING NUMBER	FINISHED LENGTH
4	1200650414	804006A09M020	6.56' +3.5" -0 [2.0M +89 -0]
4	1200650418	804006A09M040	13.12' +6.5" -0 [4.0M +165 -0]
4	1200650419	804006A09M050	16.40' +6.5" -0 [5.0M +165 -0]
4	1200650421	804006A09M060	19.69' +6.5" -0 [6.0M +165 -0]
4	1200650425	804006A09M100	32.81' +12.5" -0 [10.0M +318 -0]

POL	MATERIAL NUMBER	ENGINEERING NUMBER	FINISHED LENGTH
5	1200650523	805006A09M020	6.56' +3.5" -0 [2.0M +89 -0]
5	1200650526	805006A09M040	13.12' +6.5" -0 [4.0M +165 -0]
5	1200650528	805006A09M050	16.40' +6.5" -0 [5.0M +165 -0]
5	1200650531	805006A09M060	19.69' +6.5" -0 [6.0M +165 -0]
5	1200650533	805006A09M100	32.81' +12.5" -0 [10.0M +318 -0]

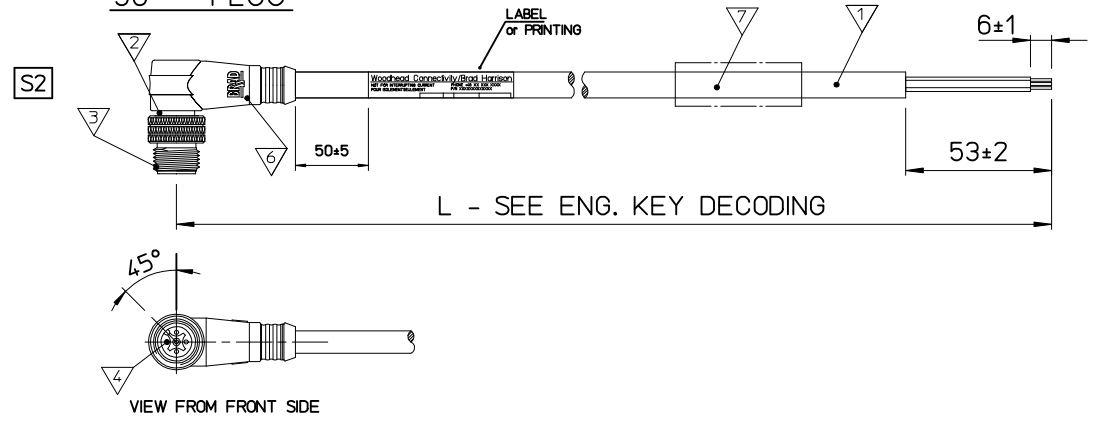
DESCRIPTION EC NO: WEU2010-0261 DRWN: LSTEMMLE 2010/01/13 CH'KD: NS APPR: NSTAUDIG 2010/01/25	QUALITY SYMBOLS	GENERAL TOLERANCES (UNLESS SPECIFIED)	DIMENSION STYLE	SCALE	DESIGN UNITS	THIRD ANGLE PROJECTION
	▼ = 0 ▽ = 0	mm INCH 4 PLACES ±--- ±--- 3 PLACES ±--- ±--- 2 PLACES ±--- ±.01 1 PLACE ±0.3 ±--- ANGULAR ± --- °	MM	2:1	METRIC	
	DRAFT WHERE APPLICABLE MUST REMAIN WITHIN DIMENSIONS	SEE TABLE	DRAWN BY: _____ DATE: _____ CHECKED BY: RE DATE: 2010/01/21 APPROVED BY: NSTAUDIG DATE: 2010/01/25	MICRO-CHANGE CORDSET 3/4/5-POL MA STR SE 22/3-5 YELLOW PVC CABLE		
	1 REV	SIZE A3	THIS DRAWING CONTAINS INFORMATION THAT IS PROPRIETARY TO MOLEX INCORPORATED AND SHOULD NOT BE USED WITHOUT WRITTEN PERMISSION		MOLEX MOLEX INCORPORATED DOCUMENT NO. SD-120065-028	SHEET NO. 1 OF 1



STRAIGHT PLUG



90° - PLUG



NOTES:

TEMPERATURE RANGE: -25°C / +80°C

CONTACT CURRENT RATING: 3-5 POLES 4A, 8 POLES 2A

VOLTAGE RATING: 3-4 POLES 250V, 5 POLES 60V, 8 POLES 30V

PROTECTION CLASS: IP 67

ENGINEERING P/N KEY DECODING:

8 0 X X X X 0 0 X X X X

Thread M12x1 single ended	3 Insert 3 ways PIN 1202080907	008 Plug male straight 007 Plug male 90° angle	Cable types	Length unit	Length	Coupling	Plug material
	4 Insert 4 ways PIN 1202080008 Flaredd PIN 1202090001		S20-SJT0 Cable (3&4 wire) Yellow 0.34mm² E02-PVC - Black 0.25mm² E03-PVC - Black 0.34mm² E52-PVC - Grey 0.34mm² P02-PUR - Black 0.25mm² P03-PUR - Black 0.34mm² I02-CEI PVC - Light Grey 0.25mm² I03-CEI PVC - Light Grey 0.34mm² I20-CEI Screened PVC - Light Grey 0.34mm² H08-PUR Black 0.25mm² LSZH UL H09-PUR Black 0.34mm² LSZH UL	C-m M-m K-km F-feet	Value divided by 10 250 → 25	blank and 3 standard PIN 1202070008 1 stainless steel PIN 1202070025 5-steel PIN 1203290004 7-steel coat PIN 1202070023	blank-standard (black) PIN 0899921504 • PIN 0967550216 A-grey PIN 0899921504 • PIN 0967550211 Y-yellow PIN 0899921504 • PIN 0967550209 H-standard with ID carrier PIN 1203100011

Tablica tolerancji dlugosci
Table of length tolerances

Powyzej Over	Do-wlacznice Up to and including	Tolerancja (+) Tolerance
0	305	+19
305	915	+45
915	1830	+56
1830	3660	+89
3660	7320	+165
7320	14640	+317
14640	30500	+610
30500	>	+2% dlugosci of length

ORIGINAL RELEASE
EC NO: IPG2014-0448
DRWN:HWALCZAK 2012/10/23
CHKD:JMARSZALEK 2013/09/05
APPR:MIWASIECZKO 2013/09/05

QUALITY SYMBOLS
▽=0
◻=0

GENERAL TOLERANCES (UNLESS SPECIFIED)

	mm	INCH
4 PLACES	± ---	± ---
3 PLACES	± ---	± ---
2 PLACES	± ---	± ---
1 PLACE	± ---	± ---
0 PLACE	± ---	± ---

ANGULAR ±---°

DRAFT WHERE APPLICABLE
MUST REMAIN
WITHIN DIMENSIONS

DIMENSION STYLE
MM ONLY

DRAWN BY: HWALCZAK
DATE: 2012/10/23

CHECKED BY: JMARSZALEK
DATE: 2013/09/05

APPROVED BY: MIWASIECZKO
DATE: 2013/09/05

MATERIAL NO.: **MATRIX DRAWING**

SCALE: ---

DESIGN UNITS: METRIC

FIRST ANGLE PROJECTION

TITLE: **CSE M12 XP AC MA XM SE**

molex

DOCUMENT NO.: **SD-120065-054**

SHEET NO.: **1 OF 1**

THIS DRAWING CONTAINS INFORMATION THAT IS PROPRIETARY TO MOLEX INCORPORATED AND SHOULD NOT BE USED WITHOUT WRITTEN PERMISSION