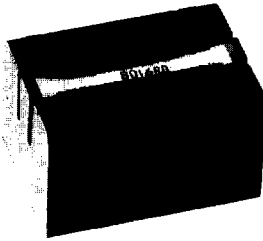


NOISE FILTERS AC COMMON MODE CHOKE COIL BROAD BAND

PLH Series



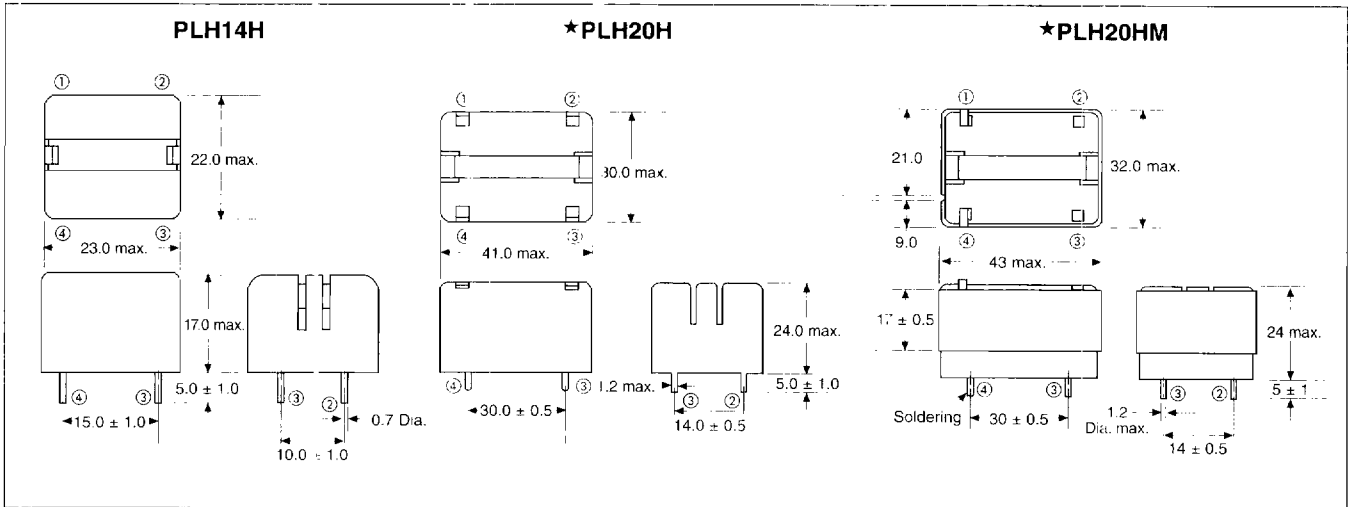
FEATURES

- Excellent noise suppression achieved by combining the best characteristics of conventional bobbin and toroidal types.
- Assembled with three-terminal (AC line) capacitor DSR Series, highly reliable filter circuits can be designed for effective suppression of noise ranging from several hundred KHz to several hundred MHz.
- Meets VCCI, FCC and CISPR noise regulations.
- Available in various rated currents to as high as 6A.
- Case structure allows sufficient insulation distance between other components, thus enabling high-density mounting. (PLH20H Series)
- PLH20HM Series are magnetically shielded low leakage flux types.

APPLICATIONS

Switching power supplies, equipment incorporating microcomputers (digital equipment), and other electronic equipment and appliances.

DIMENSIONS: mm

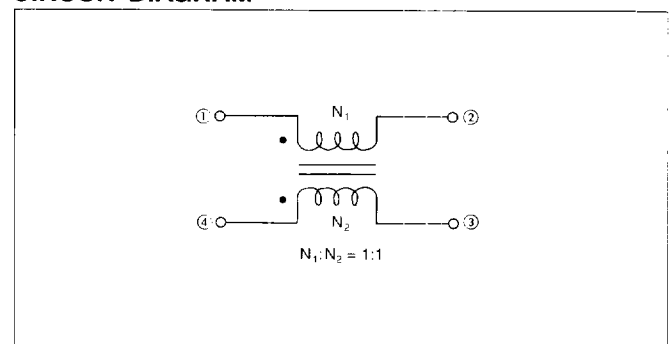


RATINGS

Item	Specifications
Rated Voltage	250 VAC
Withstand Voltage (between coils)	2000 VAC, one minute
Operating Temperature Range	-25°C to +60°C
Insulation Resistance (between coils : 500VDC)	100 MΩ min.
Temperature Characteristics (Inductance)	+80% (-25°C to +60°C, 20°C base) -50%

*Available as standard through authorized Murata Electronics Distributors.

CIRCUIT DIAGRAM



NOISE FILTERS
AC COMMON MODE CHOKE COIL
BROAD BAND (continued)



PLH Series

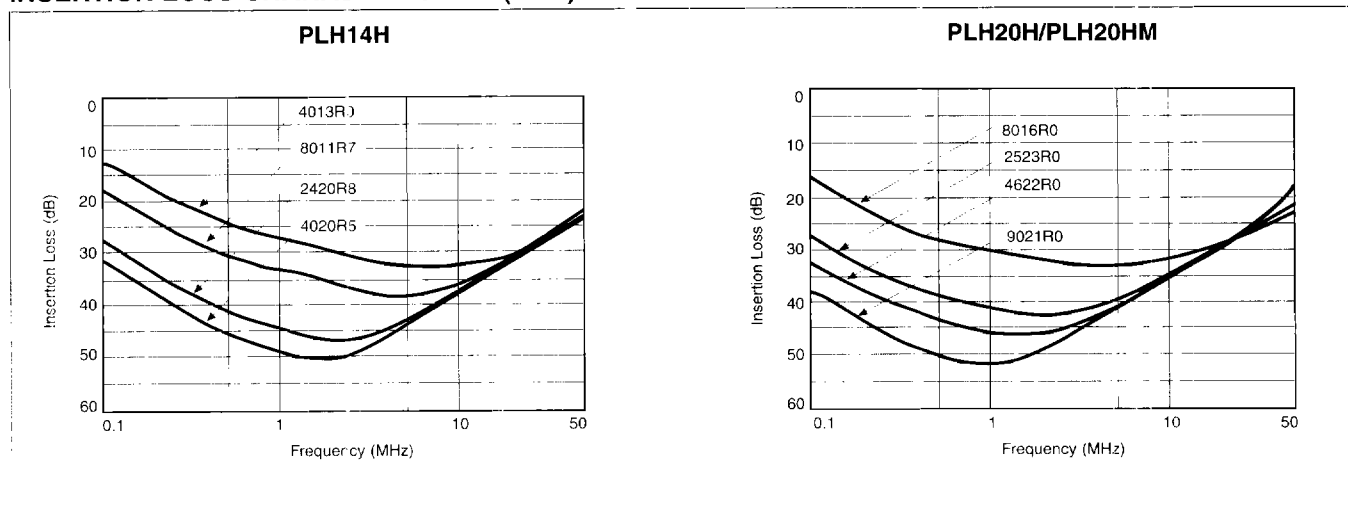
SPECIFICATIONS

Part Number	Inductance (mH) min.	Rated Current (Arms)	DC Resistance (Ω) max.
PLH14H-4020R5	4.0	0.5	3.0
PLH14H-2420R8	2.4	0.8	1.0
PLH14H-8011R7	0.8	1.7	0.5
PLH14H-4013R0	0.4	3.0	0.1
*PLH20H-9021R0 *PLH20HM-9021R0	9.0	1.0	1.0
*PLH20H-4622R0 *PLH20HM-4622R0	4.6	2.0	0.3
*PLH20H-2523R0 *PLH20HM-2523R0	2.5	3.0	0.1
*PLH20H-8016R0 *PLH20HM-8016R0	0.8	6.0	0.1

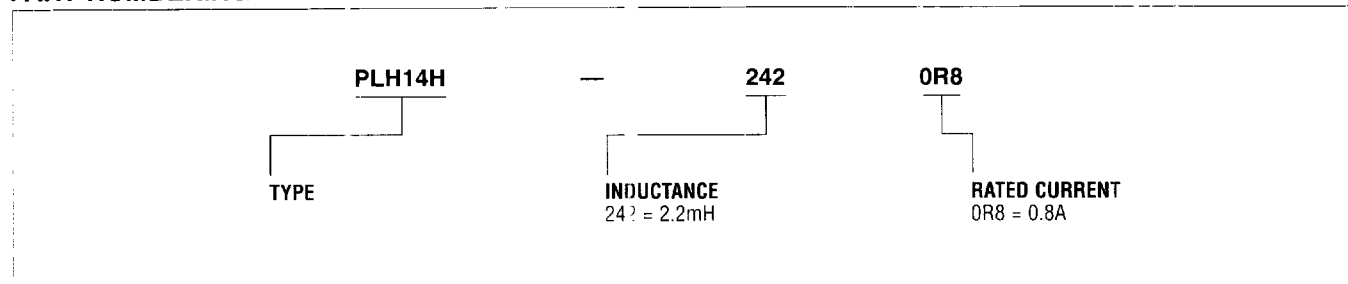
(PLH20HM Series are low leakage flux type).

*Available as standard through authorized Murata Electronics Distributors.

INSERTION LOSS CHARACTERISTICS (TYP.)



PART NUMBERING



AC COMPONENTS