

## ENVIRONMENTALLY SEALED POSITIVE ACTION SWITCHES

### Series—8836-8838 MIL-S-8834 Environmentally Sealed Positive Action Switches & 8843-8845

FEATURES	SPECIFICATIONS	CURRENT RATINGS											
		No. of Poles	Catalog Number	Type of Operation	28VDC (Amperes per pole)			115VAC 400Hz			115VAC 60Hz		
					Lamp Load	Resistive Load	Inductive Load	Lamp Load	Resistive Load	Inductive Load	Lamp Load	Resistive Load	Inductive Load
<ul style="list-style-type: none"> <li>Environmentally sealed</li> <li>High electrical/mechanical reliability</li> <li>Non-teasible mechanism</li> <li>Wiping action contacts</li> <li>Positive make and break action</li> <li>Molded-in terminal numbers</li> <li>One hole mounting for easy installation</li> <li>Terminal variations</li> <li>Toggle and lever lock actuators</li> <li>Dry circuit (logic level loads) to power switching levels</li> <li>1, 2, and 4 pole circuitry</li> <li>Solderable screw terminals</li> </ul>	<ul style="list-style-type: none"> <li>Environmentally sealed per MIL-S-8834</li> <li>MS approved and OPL'd per MIL-S-8834</li> <li>Two terminal variations                             <ul style="list-style-type: none"> <li>Screw 6-32 UNC-2B threads</li> <li>Solder Lug .125 [3,17] dia. hole</li> </ul> </li> <li>Temperature range: -67°F to +160°F (-55°C to +71°C)</li> <li>Life: 20,000 cycles at rated load 40,000 cycles mechanical life</li> <li>Positive action mechanism for high reliability and low contact bounce</li> </ul>	1	8836 and 8843	Maintained and Momentary	7	25	15	7	25	15	7	20	15
		2	8837 and 8844	Maintained and Momentary	7	25	15	7	25	15	7	20	15
		4	8838 and 8845	Maintained and Momentary	7	25	15	7	25	15	7	20	15

Minimum Rating: 25 μA at 5 millivolts.

TOGGLE SWITCHES

### SELECTION TABLE

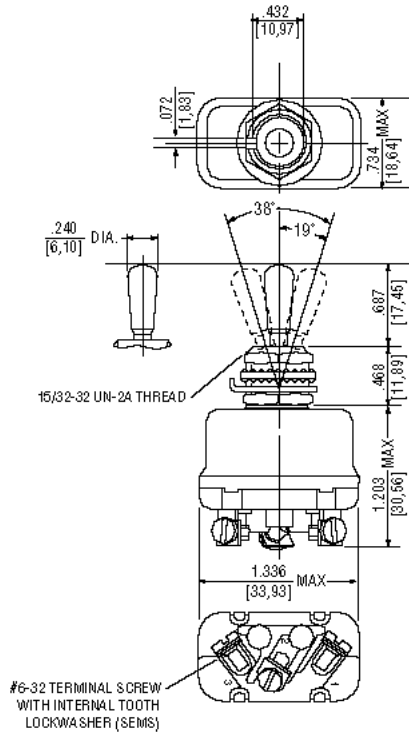
CIRCUIT WITH LEVER IN...							
	Up Position	Center Position	Down Position (Keyway)	Screw Terminal	Solder Lug		
				MS Part Number	Catalog Number	MS Part Number	Catalog Number
<b>ONE POLE</b>							
8836	ON	OFF	ON	MS25306-212	8836K1	MS14001-212	8836K91
	ON	NONE	OFF	-222	K9	-222	K99
	ON	NONE	ON	-232	K4	-232	K94
	ON	OFF	NONE	-242	K6	-242	K96
	ON	NONE	ON *	MS25306-262	8836K5	MS14001-262	8836K95
	* ON	OFF	ON *	-272	K2	-272	K92
	NONE	OFF	ON *	-282	K7	-282	K97
	ON	NONE	OFF *	-292	K10	-292	K910
	OFF	NONE	ON *	MS25306-302	8836K11	MS14001-302	8836K911
	ON	OFF	ON *	-312	K3	-312	K93
<b>TWO POLE</b>							
8837	ON	OFF	ON	MS25307-212	8837K1	MS14002-212	8837K91
	ON	NONE	OFF	-222	K9	-222	K99
	ON	NONE	ON	-232	K4	-232	K94
	ON	OFF	NONE	-242	K6	-242	K96
	ON	NONE	ON *	MS25307-262	8837K5	MS14002-262	8837K95
	* ON	OFF	ON *	-272	K2	-272	K92
	NONE	OFF	ON *	-282	K7	-282	K97
	ON	NONE	OFF *	-292	K10	-292	K910
	OFF	NONE	ON *	MS25307-302	8837K11	MS14002-302	8837K911
	ON	OFF	ON *	-312	K3	-312	K93
<b>FOUR POLE</b>							
8838	ON	OFF	ON	MS25308-212	8838K1	MS14003-212	8838K91
	ON	NONE	OFF	-222	K9	-222	K99
	ON	NONE	ON	-232	K4	-232	K94
	ON	OFF	NONE	-242	K6	-242	K96
	ON	NONE	ON *	MS25308-262	8838K5	MS14003-262	8838K95
	* ON	OFF	ON *	-272	K2	-272	K92
	NONE	OFF	ON *	-282	K7	-282	K97
	ON	NONE	OFF *	-292	K10	-292	K910
	OFF	NONE	ON *	MS25308-302	8838K11	MS14003-302	8838K911
	ON	OFF	ON *	-312	K3	-312	K93

\* Momentary contact.  
See page 77 for special circuit diagrams.

## ENVIRONMENTALLY SEALED POSITIVE ACTION SWITCHES

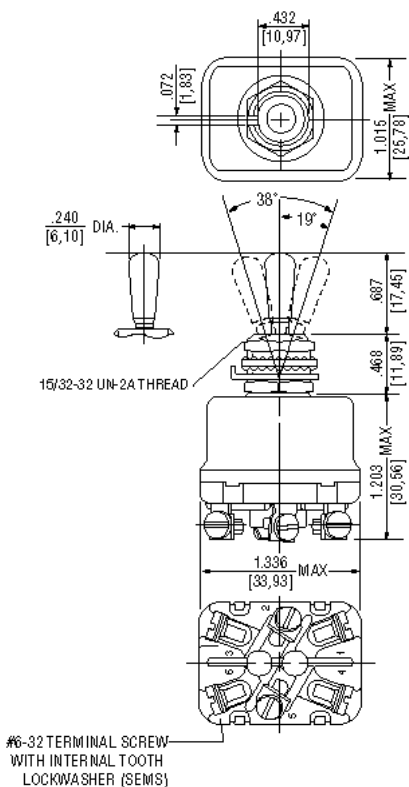
Series—8836-8838 MIL-S-8834 Environmentally Sealed Positive Action Switches & 8843-8845

### MOUNTING DIMENSIONS—ONE POLE / 8836 SCREW TERMINALS



Terminal Identification

### MOUNTING DIMENSIONS—TWO POLE / 8837 SCREW TERMINALS



Terminal Identification

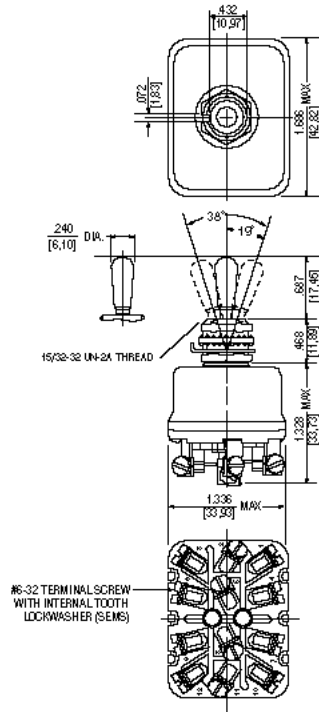
**STANDARD**  
0.00 = inches  
[0,0] = mm

Mounting dimensions for reference only.  
Non-functional terminals not supplied.

## ENVIRONMENTALLY SEALED POSITIVE ACTION SWITCHES

Series—8836-8838 MIL-S-8834 Environmentally Sealed Positive Action Switches & 8843-8845

### MOUNTING DIMENSIONS—FOUR POLE / 8838 SCREW TERMINALS

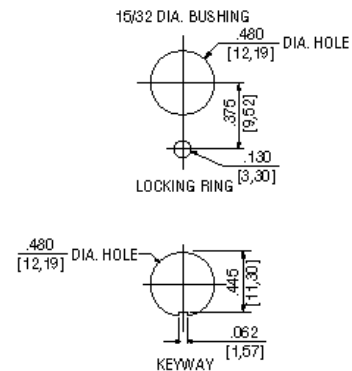


Terminal Identification  
Non-functional terminals not supplied.

### OPTIONS/ACCESSORIES

- Special mounting hardware
- Mounting hardware furnished assembled
- Panel seal, Part Number 32-341
- Terminal screws furnished assembled
- Terminal screws omitted
- Solder lug termination
- Substitute sems screws
- Special marking
- Special "3 Cateye" luminous lever attachment - 8836-8838 only
- Lever extensions and attachable tips (See Accessories and Custom components section)

### PANEL CUTOUT DIMENSIONS



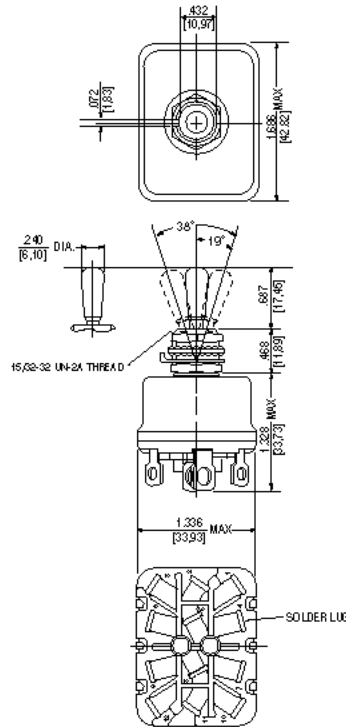
**STANDARD**  
0.00 = inches  
[0.0] = mm



## ENVIRONMENTALLY SEALED POSITIVE ACTION SWITCHES

Series—8836-8838 MIL-S-8834 Environmentally Sealed Positive Action Switches & 8843-8845

### MOUNTING DIMENSIONS—FOUR POLE / 8838 SOLDER LUG TERMINALS



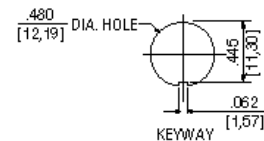
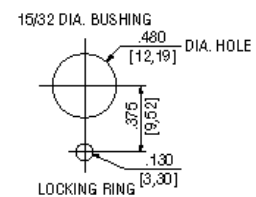
#### Terminal Identification

Non-functional terminals not supplied.

### OPTIONS/ACCESSORIES

- Special mounting hardware
- Mounting hardware furnished assembled
- Panel seal, Part Number 32-341
- Terminal screws furnished assembled
- Terminal screws omitted
- Solder lug termination
- Substitute sems screws
- Special marking
- Special "3 Cateye" luminous lever attachment - 8836-8838 only
- Lever extensions and attachable tips (See Accessories and Custom components section)
- Custom wiring harnesses

### PANEL CUTOUT DIMENSIONS



**STANDARD**  
0.00 = inches  
[0.0] = mm




Mounting dimensions for reference only.

## ENVIRONMENTALLY SEALED POSITIVE ACTION SWITCHES

Series—8836-8838  
& 8843-8845

MIL-S-8834 Environmentally Sealed Positive Action Switches  
Lever Lock

### SELECTION TABLE

		CIRCUIT WITH LEVER IN...			Lever Lock ① Bushing Style	MS Part Number	Catalog Number
		Up Position	Center Position	Down Position (Keyway)			
		<b>ONE POLE</b>					
	ON →	← OFF →	← ON	A	MS24612-A212	8843K1	
	ON	← OFF →	ON	B	-B212	K2	
	ON	← OFF →	NONE	B	-B242	K16	
	ON	OFF	← ON	C	-C212	K3	
	ON	NONE	← OFF	C	-C222	K9	
	ON	NONE	← ON	C	MS24612-C232	8843K7	
	ON	← OFF →	ON	D	-D212	K4	
	ON →	OFF	← ON	E	-E212	K5	
	ON →	NONE	← OFF	E	-E222	K10	
	ON →	NONE	← ON	E	-E232	K6	
	* ON	← OFF →	ON *	F	MS24612-F272	8843K12	
	ON	OFF →	ON *	G	-G312	K13	
	* ON	← OFF →	ON *	H	-H272	K14	
	ON →	← OFF →	NONE	J	-J242	K11	
	NONE	OFF →	ON *	K	-K282	K15	
ON	← OFF →	ON *	K	MS24612-K312	8843K18		
ON →	NONE	ON *	L	-L262	K20		
ON →	NONE	OFF *	L	-L292	K21		
OFF →	NONE	ON *	L	-L302	K19		
ON	← OFF →	ON *	M	-M312	K8		
ON →	← OFF →	ON *	N	-N312	K17		
		<b>TWO POLE</b>					
	ON →	← OFF →	← ON	A	MS24613-A212	8844K1	
	ON	← OFF →	ON	B	-B212	K2	
	ON	← OFF →	NONE	B	-B242	K16	
	ON	OFF	← ON	C	-C212	K3	
	ON	NONE	← OFF	C	-C222	K9	
	ON	NONE	← ON	C	MS24613-C232	8844K7	
	ON	← OFF →	ON	D	-D212	K4	
	ON →	OFF	← ON	E	-E212	K5	
	ON →	NONE	← OFF	E	-E222	K10	
	ON →	NONE	← ON	E	-E232	K6	
	* ON	← OFF →	ON *	F	MS24613-F272	8844K12	
	ON	OFF →	ON *	G	-G312	K13	
	* ON	← OFF →	ON *	H	-H272	K14	
	ON →	← OFF →	NONE	J	-J242	K11	
	NONE	OFF →	ON *	K	-K282	K15	
ON	← OFF →	ON *	K	MS24613-K312	8844K18		
ON →	NONE	ON *	L	-L262	K20		
ON →	NONE	OFF *	L	-L292	K21		
OFF →	NONE	ON *	L	-L302	K19		
ON	← OFF →	ON *	M	-M312	K8		
ON →	← OFF →	ON *	N	-N312	K17		
		<b>FOUR POLE</b>					
	ON →	← OFF →	← ON	A	MS24614-A212	8845K1	
	ON	← OFF →	ON	B	-B212	K2	
	ON	← OFF →	NONE	B	-B242	K16	
	ON	OFF	← ON	C	-C212	K3	
	ON	NONE	← OFF	C	-C222	K9	
	ON	NONE	← ON	C	MS24614-C232	8845K7	
	ON	← OFF →	ON	D	-D212	K4	
	ON →	OFF	← ON	E	-E212	K5	
	ON →	NONE	← OFF	E	-E222	K10	
	ON →	NONE	← ON	E	-E232	K6	
	* ON	← OFF →	ON *	F	MS24614-F272	8845K12	
	ON	OFF →	ON *	G	-G312	K13	
	* ON	← OFF →	ON *	H	-H272	K14	
	ON →	← OFF →	NONE	J	-J242	K11	
	NONE	OFF →	ON *	K	-K282	K15	
ON	← OFF →	ON *	K	MS24614-K312	8845K18		
ON →	NONE	ON *	L	-L262	K20		
ON →	NONE	OFF *	L	-L292	K21		
OFF →	NONE	ON *	L	-L302	K19		
ON	← OFF →	ON *	M	-M312	K8		
ON →	← OFF →	ON *	N	-N312	K17		

\* Momentary contact.

→ Indicates direction of movement against which lever is locked.

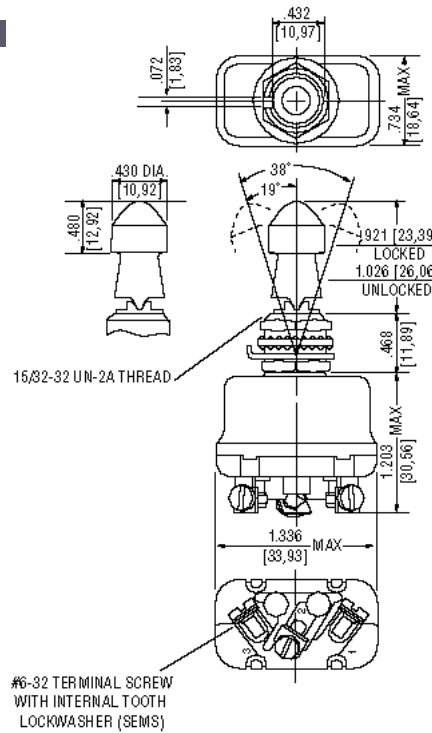
See page 77 for circuit diagrams.

① Reference bushing styles on Page 53.

## ENVIRONMENTALLY SEALED POSITIVE ACTION SWITCHES

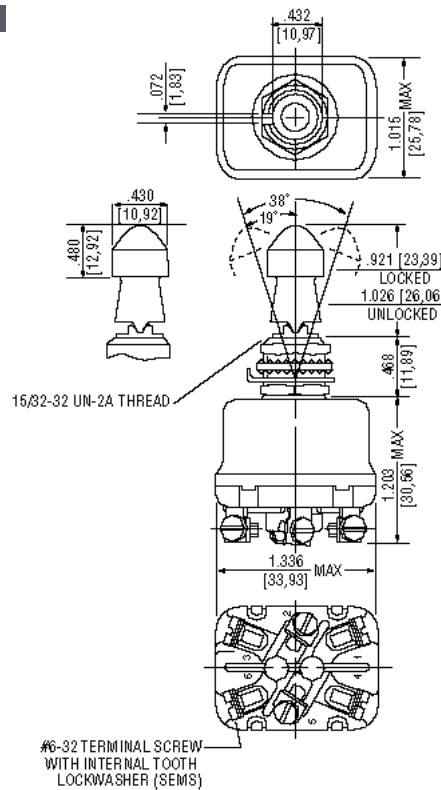
Series—8836-8838 MIL-S-8834 Environmentally Sealed Positive Action Switches  
& 8843-8845 Lever Lock

### MOUNTING DIMENSIONS—ONE POLE / 8843



Terminal Identification

### MOUNTING DIMENSIONS—TWO POLE / 8844



Terminal Identification

**STANDARD**

0.00 = inches

[0.0] = mm

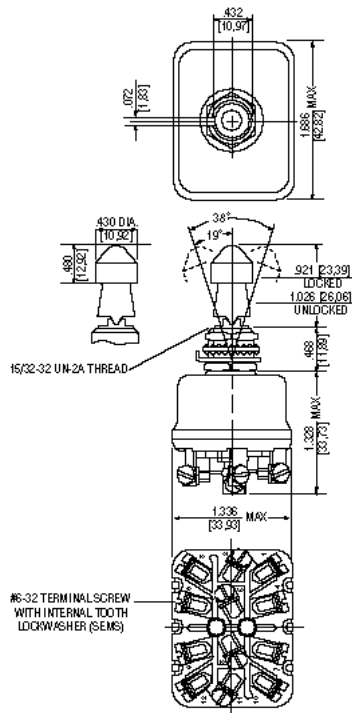
Mounting dimensions for reference only.  
Non-functional terminals not supplied.

## ENVIRONMENTALLY SEALED POSITIVE ACTION SWITCHES

Series—8836-8838  
& 8843-8845

MIL-S-8834 Environmentally Sealed Positive Action Switches  
Lever Lock

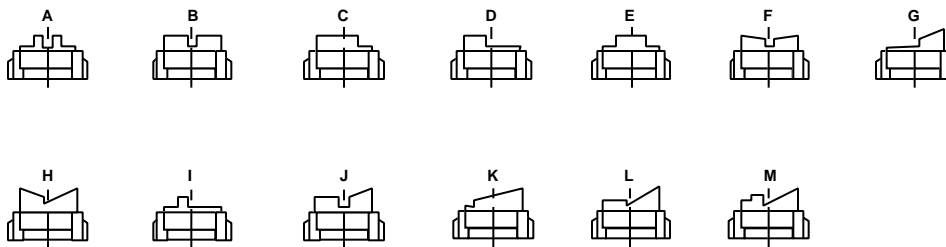
### MOUNTING DIMENSIONS—FOUR POLE / 8845



Terminal Identification  
Non-functional terminals not supplied.

### LEVER LOCK – BUSHING STYLES

KEYWAY SIDE →

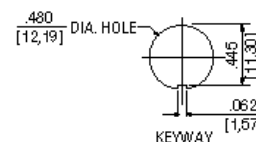
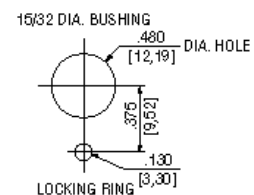


### OPTIONS/ACCESSORIES

- Special mounting hardware
- Mounting hardware furnished assembled
- Panel seal, Part Number 32-341
- Terminal screws furnished assembled
- Terminal screws omitted
- Solder lug termination
- Substitute sems screws

- Special marking
- Special "3 Cateye" luminous lever attachment - 8836-8838 only
- Lever extensions and attachable tips (See Accessories and Custom components section)

### PANEL CUTOUT DIMENSIONS



**STANDARD**  
0.00 = inches  
[0,0] = mm

Mounting dimensions for reference only.