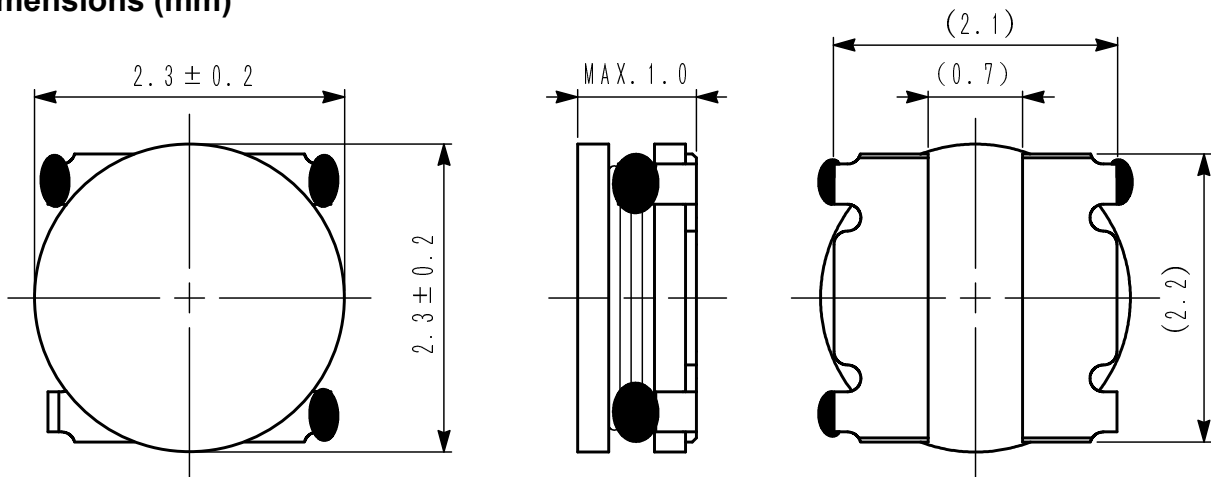
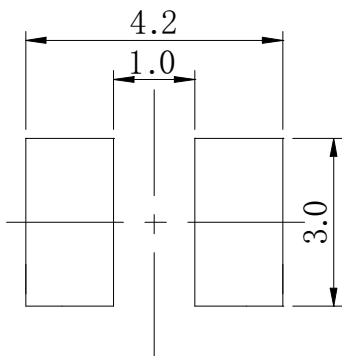
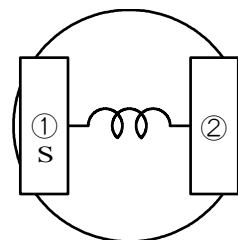


Type: CDH23D09/SHP
◆ Product Description

- 2.5×2.5mm Max.(L×W), 1.0mm Max. Height.
- Inductance range: 1.0~6.8 μH.
- Rated current range: 0.57~1.38A.
- Custom design is available.


◆ Feature

- Magnetically shielded construction.
- Storage temperature range: -40°C~+105°C.
- Operating temperature range: -40°C~+105°C (Including coil's self temperature rise).
- Ideally used in Mobilephone, PDA, MP3, DSC/DVC, etc as DC-DC converter inductors.
- Strong resistance against drop shock.
- RoHS compliance and Halogen Free.

◆ Dimensions (mm)

◆ Land Pattern (mm)

◆ Schematics (Bottom)


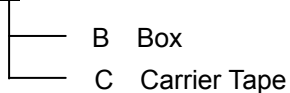
“S” is winding start.

Type: CDH23D09/SHP
◆ Specification

Part Name ※	Stamp	Inductance (μ H) 100kHz	D.C.R.(m Ω) Max.(Typ.) (at 20°C)	Saturation Current (A) ※1		Temperature Rise Current (A) ※2
				at 20°C	at 100°C	
CDH23D09SHPHF-1R0M□	A	1.0 \pm 20%	112.5(90.0)	1.55	1.25	1.38
CDH23D09SHPHF-1R5M□	B	1.5 \pm 20%	158.0(126.4)	1.25	1.05	1.15
CDH23D09SHPHF-2R2M□	C	2.2 \pm 20%	241.5(193.1)	1.05	0.85	0.89
CDH23D09SHPHF-3R3M□	D	3.3 \pm 20%	350.5(280.5)	0.85	0.68	0.78
CDH23D09SHPHF-4R7M□	E	4.7 \pm 20%	537.0(429.5)	0.70	0.57	0.61
CDH23D09SHPHF-5R6M□	G	5.6 \pm 20%	594.5(475.5)	0.65	0.53	0.59
CDH23D09SHPHF-6R8M□	F	6.8 \pm 20%	660.5(528.5)	0.60	0.50	0.57

※ Description of Part Name

CDH23D09SHPHF -1R0M□



※1. Saturation current: The DC current at which the inductance decreases to 70% of its nominal value.

 ※2. Temperature rise current: The DC current at which the temperature rise is $\Delta t=40^{\circ}\text{C}$ ($T_a=20^{\circ}\text{C}$).