

Bt451

Bt457

Bt458

Distinguishing Features

- 165, 135, 125, 110, 80 MHz Operation
- 4:1 or 5:1 Input MUX
- 256-Word Dual-Port Color Palette
- 4 Dual-Port Overlay Registers
- RS-343A-Compatible Outputs
- Bit Plane Read and Blink Masks
- Standard MPU Interface
- 84-pin PLCC or PGA Package
- +5 V CMOS Monolithic Construction

Applications

- High-Resolution Color Graphics
- CAE/CAD/CAM
- Image Processing
- Video Reconstruction

Related Products

- Bt431, Bt438, Bt439
- Bt459, Bt460, Bt462, Bt468

125 MHz/135 MHz/
165 MHz
Monolithic CMOS
256 Color Palette
RAMDAC™

Product Description

The Bt451, Bt457, and Bt458 are pin-compatible and software-compatible RAM-DACs designed specifically for high-performance, high-resolution color graphics. The architecture enables the display of 1280 x 1024 bit-mapped color graphics (up to 8 bits per pixel plus up to 2 bits of overlay information), minimizing the use of costly ECL interfacing, as most of the high-speed (pixel clock) logic is contained on chip. The multiple pixel ports and internal multiplexing enable TTL-compatible interface (up to 32 MHz) to the frame buffer, while maintaining the 165 MHz video data rates required for sophisticated color graphics.

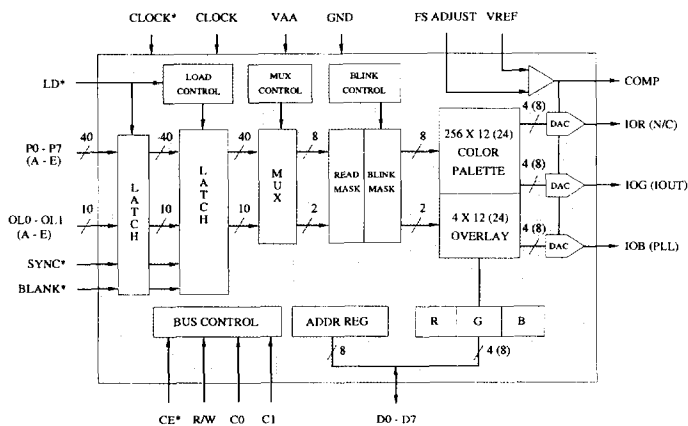
The Bt451 has a 256 x 12 color lookup table with triple 4-bit video D/A converters.

The Bt458 contains a 256 x 24 color lookup table with triple 8-bit video D/A converters.

The Bt457 is a single-channel version of the Bt458 and has a 256 x 8 color lookup table with a single 8-bit video D/A converter. It includes a PLL output to enable subsixel synchronization of multiple Bt457s.

On-chip features include programmable blink rates, bit plane masking and blinking, color overlay capability, and a dual-port color palette RAM.

Functional Block Diagram



Circuit Description

MPU Interface

As illustrated in the functional block diagram, the Bt451/457/458 supports a standard MPU bus interface, allowing the MPU direct access to the internal control registers and color/overlay palettes. The dual-port color palette RAM and dual-port overlay registers allow color updating without contention with the display refresh process.

As presented in Table 1, the C0 and C1 control inputs, in conjunction with the internal address register, specify which control register, color palette RAM entry, or overlay register will be accessed by the MPU.

The 8-bit address register (ADDR0–7) is used to address the internal RAM and registers, eliminating the requirement for external address multiplexers. ADDR0 corresponds to D0 and is the least significant bit.

Bt451/458 Reading/Writing Color Data

To write color data, the MPU loads the address register with the address of the color palette RAM location or overlay register to be modified. The MPU performs three successive write cycles (red, green, and blue), using C0 and C1 to select either the color palette RAM or overlay registers. During the blue write cycle, the 3 bytes of color information are concatenated into a 24-bit word (12-bit word for the

Bt451) and written to the location specified by the address register. The address register then increments to the next location, which the MPU may modify by writing another sequence of red, green, and blue data. The Bt451 uses only the 4 most significant bits of color data (D4–D7) and ignores D0–D3.

To read color data, the MPU loads the address register with the address of the color palette RAM location or overlay register to be read. The MPU performs three successive read cycles (red, green, and blue), using C0 and C1 to select either the color palette RAM or overlay registers. Following the blue read cycle, the address register increments to the next location, which the MPU may read by reading another sequence of red, green, and blue data. The Bt451 outputs only 4 bits of color data onto D4–D7 and forces D0–D3 to logical zeros.

When accessing the color palette RAM, the address register resets to \$00 after a blue read or write cycle to location \$FF. When accessing the overlay registers, the address register increments to \$04 following a blue read or write cycle to overlay register 3. To keep track of the red, green, and blue read/write cycles, the address register has 2 additional bits that count modulo three. They are reset to zero when the MPU reads or writes to the address register. The MPU does not have access to these bits. The other 8 bits of the address register (ADDR0–7) are accessible to the MPU.

ADDR0–7	C1	C0	Addressed by MPU
\$xx	0	0	address register
\$00–,\$FF	0	1	color palette RAM
\$00	1	1	overlay color 0
\$01	1	1	overlay color 1
\$02	1	1	overlay color 2
\$03	1	1	overlay color 3
\$04	1	0	read mask register
\$05	1	0	blink mask register
\$06	1	0	command register
\$07	1	0	control/test register

Table 1. Address Register (ADDR) Operation.

Circuit Description *(continued)****Bt457 Reading/Writing Color Data
(Normal Mode)***

To write color data, the MPU loads the address register with the address of the color palette RAM location or overlay register to be modified. The MPU performs a color write cycle, using C0 and C1 to select either the color palette RAM or the overlay registers. The address register then increments to the next location, which the MPU may modify by writing another color.

Reading color data is similar to writing it, except the MPU executes read cycles.

This mode is useful if a 24-bit data bus is available, as 24 bits of color information (8 bits each of red, green, and blue) may be read or written to three Bt457s in a single MPU cycle. In this application, the CE* inputs of all three Bt457s are connected together. If only an 8-bit data bus is available, the CE* inputs must be individually selected during the appropriate color write cycle (red CE* during red write cycle, blue CE* during blue write cycle, and green CE* during green write cycle).

When accessing the color palette RAM, the address register resets to \$00 after a read or write cycle to location \$FF. When accessing the overlay registers, the address register increments to \$04 following a read or write cycle to overlay register 3.

***Bt457 Reading/Writing Color Data
(RGB Mode)***

To write color data, the MPU loads the address register with the address of the color palette RAM location or overlay register to be modified. The MPU performs three successive write cycles (8 bits each of red, green, and blue), using C0 and C1 to select either the color palette RAM or the overlay registers. After the blue write cycle, the address register then increments to the next location, which the MPU may modify by writing another sequence of red, green, and blue data. Reading color data is similar to writing it, except the MPU executes read cycles.

This mode is useful if only an 8-bit data bus is available. Each Bt457 is programmed to be a red, green, or blue RAMDAC and will respond only to the assigned color read or write cycle. In this application, the Bt457s share a common 8-bit data bus. The CE* inputs of all three Bt457s must be asserted simultaneously only during color read/write cycles and address register write cycles.

When accessing the color palette RAM, the address register resets to \$00 after a blue read or write cycle to location \$FF. When accessing the overlay registers, the address register increments to \$04 following a blue read or write cycle to overlay register 3. To keep track of the red, green, and blue read/write cycles, the address register has 2 additional bits that count modulo three. They are reset to zero when the MPU reads or writes to the address register. The MPU does not have access to these bits. The other 8 bits of the address register (ADDR0-7) are accessible to the MPU.

Additional Information

Although the color palette RAM and overlay registers are dual ported, if the pixel and overlay data are addressing the same palette entry being written to by the MPU during the write cycle, 1 or more of the pixels on the display screen can be disturbed. A maximum of 1 pixel is disturbed if the write data from the MPU is valid during the entire chip enable time.

The control registers are also accessed through the address register in conjunction with the C0 and C1 inputs, as specified in Table 1. All control registers may be written to or read by the MPU at any time. The address register does not increment following read or write cycles to the control registers, facilitating read-modify-write operations.

If an invalid address is loaded into the address register, data written to the device will be ignored and invalid data will be read by the MPU.

Circuit Description (continued)

Frame Buffer Interface

To enable pixel data to be transferred from the frame buffer at TTL data rates, the Bt451/457/458 incorporates internal latches and multiplexers. As illustrated in Figure 1, on the rising edge of LD*, sync and blank information, color (up to 8 bits per pixel), and overlay (up to 2 bits per pixel) information, for either 4 or 5 consecutive pixels, are latched into the device. With this configuration, the sync and blank timing will be recognized only with 4- or 5-pixel resolution. Typically, the LD* signal is used to clock external circuitry to generate the basic video timing.

Each clock cycle, the Bt451/457/458 outputs color information based on the {A} inputs, followed by the {B} inputs, then the {C} inputs, etc., until all 4 or 5 pixels have been output, at which point the cycle repeats.

The overlay inputs may have pixel timing, facilitating the use of additional bit planes in the frame buffer to control overlay selection on a pixel basis. Or they may be controlled by external character or cursor generation logic.

To simplify the frame buffer interface timing, LD* may be phase shifted in any amount relative to CLOCK. This enables the LD* signal to be derived by externally dividing CLOCK by 4 or 5 independent of the propagation delays of the LD* generation logic. As a result, the pixel and overlay data are latched on the rising edge of LD*, independent of the clock phase.

Internal logic maintains an internal LOAD signal synchronous to CLOCK and is guaranteed to follow the LD* signal by at least one, but not more than four, clock cycles. This LOAD signal transfers the latched pixel and overlay data into a second set of latches, which are then internally multiplexed at the pixel clock rate.

If 4:1 multiplexing is specified, only one rising edge of LD* should occur every four clock cycles. If 5:1 multiplexing is specified, only one rising edge of LD* should occur every five clock cycles. Otherwise, the internal LOAD generation circuitry assumes it is not locked onto the LD* signal and will continuously attempt to resynchronize itself to LD*.

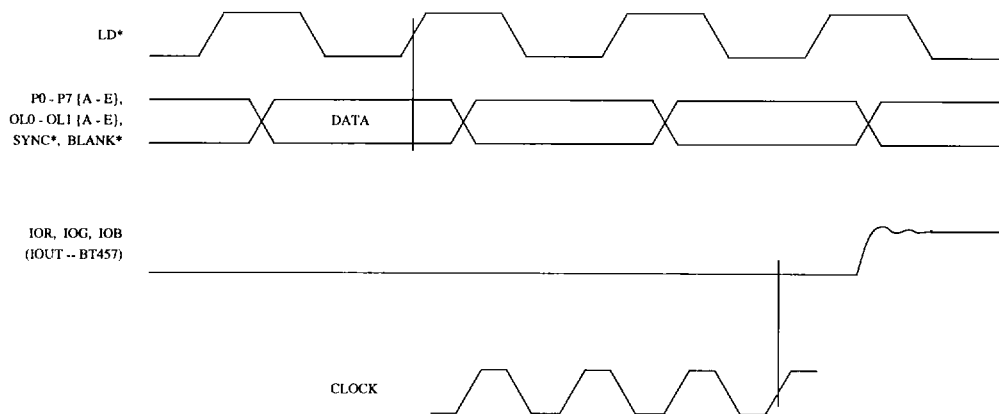


Figure 1. Video Input/Output Timing.

Circuit Description (continued)

Color Selection

Each clock cycle, 8 bits of color information (P0–P7) and 2 bits of overlay information (OL0, OL1) for each pixel are processed by the read mask, blink mask, and command registers. Through the control registers, individual bit planes may be enabled or disabled for display, and/or blinked at one of four blink rates and duty cycles.

To ensure blinking does not cause a color change to occur during the active display time (i.e., in the middle of the screen), the Bt451/457/458 monitors the BLANK* input to determine vertical retrace intervals. A vertical retrace interval is recognized by determining that BLANK* has been a logical zero for at least 256 LD* cycles.

The processed pixel data is then used to select which color palette entry or overlay register is to provide color information. P0 is the LSB when addressing the color palette RAM. Table 2 is the truth table used for color selection.

Video Generation

Every clock cycle, the selected color information from the color palette RAMs or overlay registers is presented to the D/A converters.

The SYNC* and BLANK* inputs are pipelined to maintain synchronization with the pixel data. They add appropriately weighted currents to the analog outputs, producing the specific output levels required for video applications, as illustrated in Figure 2.

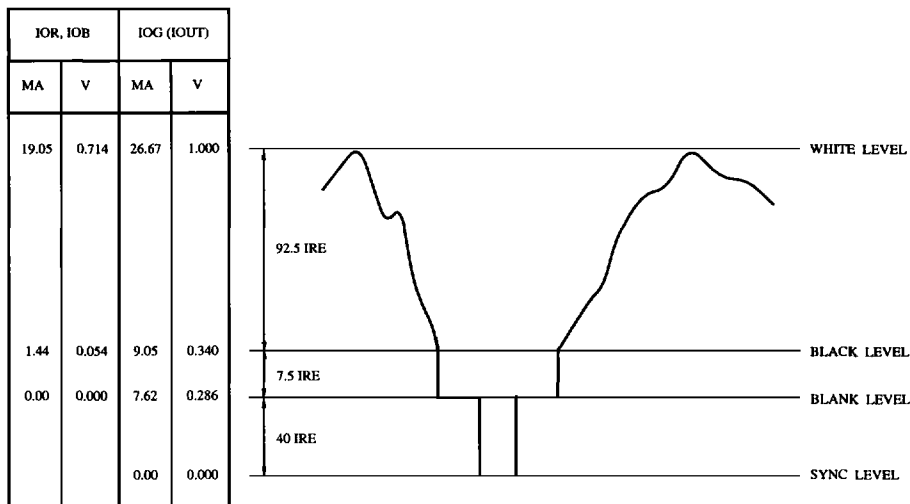
The varying output current from each of the D/A converters produces a corresponding voltage level, which is used to drive the color CRT monitor. Only the green output (IOG) on the Bt451 and Bt458 contains sync information. Table 3 details how the SYNC* and BLANK* inputs modify the output levels.

The D/A converters on the Bt451, Bt457, and Bt458 use a segmented architecture in which bit currents are routed to either the current output or GND by a sophisticated decoding scheme. This architecture eliminates the need for precision component ratios and greatly reduces the switching transients associated with turning current sources on or off. Monotonicity and low glitch are guaranteed by using identical current sources and current steering their outputs. An on-chip operational amplifier stabilizes the D/A converter's full-scale output current against temperature and power supply variations.

CR6	OL1	OL0	P0–P7	Addressed by Frame
1	0	0	\$00	color palette entry \$00
1	0	0	\$01	color palette entry \$01
⋮	⋮	⋮	⋮	⋮
1	0	0	\$FF	color palette entry \$FF
0	0	0	\$xx	overlay color 0
x	0	1	\$xx	overlay color 1
x	1	0	\$xx	overlay color 2
x	1	1	\$xx	overlay color 3

Table 2. Palette and Overlay Select Truth Table.

Circuit Description (continued)



Note: 75 Ω doubly-terminated load, RSET = 523 Ω, and VREF = 1.235 V. RS-343A levels and tolerances are assumed on all levels.

Figure 2. Composite Video Output Waveforms.

Description	IOG (IOUT) (mA)	IOR, IOB (mA)	SYNC*	BLANK*	DAC Input Data
WHITE	26.67	19.05	1	1	\$FF
DATA	data + 9.05	data + 1.44	1	1	data
DATA - SYNC	data + 1.44	data + 1.44	0	1	data
BLACK	9.05	1.44	1	1	\$00
BLACK - SYNC	1.44	1.44	0	1	\$00
BLANK	7.62	0	1	0	\$xx
SYNC	0	0	0	0	\$xx

Note: Typical with full-scale IOG = 26.67 mA. RSET = 523 Ω and VREF = 1.235 V. The Bt451 uses only the upper 4 DAC input data bits.

Table 3. Video Output Truth Table.

Internal Registers

Command Register

The command register may be written to or read by the MPU at any time and is not initialized. For proper operation, it must be initialized by the user after power-up. CR0 corresponds to data bus bit D0.

CR7	<p>Multiplex select</p> <p>(0) 4:1 multiplexing (1) 5:1 multiplexing</p>	<p>This bit specifies whether 4:1 or 5:1 multiplexing is to be used for the pixel and overlay inputs. If 4:1 is specified, the {E} pixel and {E} overlay inputs are ignored and should be connected to GND, and the LD* input should be one fourth the CLOCK rate. If 5:1 is specified, all of the pixel and overlay inputs are used, and the LD* input should be one fifth the CLOCK rate.</p> <p>The pipeline delay of the Bt457/458 can be reset to a fixed eight clock cycles. In this instance, each time the input multiplexing is changed, the Bt457/458 must again be reset to a fixed pipeline delay.</p>
CR6	<p>RAM enable</p> <p>(0) use overlay color 0 (1) use color palette RAM</p>	<p>When the overlay select bits are 00, this bit specifies whether to use the color palette RAM or overlay color 0 to provide color information.</p>
CR5, CR4	<p>Blink rate selection</p> <p>(00) 16 on, 48 off (25/75) (01) 16 on, 16 off (50/50) (10) 32 on, 32 off (50/50) (11) 64 on, 64 off (50/50)</p>	<p>These 2 bits control the blink rate cycle time and duty cycle, and are specified as the number of vertical retrace intervals. The numbers in parentheses specify the duty cycle (percent on/off).</p>
CR3	<p>OL1 blink enable</p> <p>(0) disable blinking (1) enable blinking</p>	<p>If a logical one, this bit forces the OL1 {A-E} inputs to toggle between a logical zero and the input value at the selected blink rate prior to pallett selection. A value of logical zero does not affect the value of the OL1 {A-E} inputs. In order for overlay 1 bit plane to blink, bit CR1 must be set to a logical one.</p>
CR2	<p>OL0 blink enable</p> <p>(0) disable blinking (1) enable blinking</p>	<p>If a logical one, this bit forces the OL0 {A-E} inputs to toggle between a logical zero and the input value at the selected blink rate prior to pallett selection. A value of logical zero does not affect the value of the OL0 {A-E} inputs. In order for overlay 0 bit plane to blink, bit CR0 must be set to a logical one.</p>

Internal Registers *(continued)***Command Register** *(continued)*

CR1	OL1 display enable (0) disable (1) enable	If a logical zero, this bit forces the OL1 {A–E} inputs to a logical zero prior to selecting the palettes. A value of a logical one does not affect the value of the OL1 {A–E} inputs.
CR0	OL0 display enable (0) disable (1) enable	If a logical zero, this bit forces the OL0 {A–E} inputs to a logical zero prior to selecting the palettes. A value of a logical one does not affect the value of the OL0 {A–E} inputs.

Read Mask Register

The read mask register is used to enable (logical one) or disable (logical zero) a bit plane from addressing the color palette RAM. D0 corresponds to bit plane 0 (P0 {A–E}), and D7 corresponds to bit plane 7 (P7 {A–E}). Each register bit is logically ANDed with the corresponding bit plane input. This register may be written to or read by the MPU at any time and is not initialized. For proper operation, it must be initialized by the user after power-up.

Blink Mask Register

The blink mask register is used to enable (logical one) or disable (logical zero) a bit plane from blinking at the blink rate and duty cycle specified by the command register. D0 corresponds to bit plane 0 (P0 {A–E}), and D7 corresponds to bit plane 7 (P7 {A–E}). In order for a bit plane to blink, the corresponding bit in the read mask register must be a logical one. This register may be written to or read by the MPU at any time and is not initialized. For proper operation, it must be initialized by the user after power-up.

Internal Registers *(continued)***Bt451/458 Test Register**

The test register provides diagnostic capability by enabling the MPU to read the inputs to the D/A converters. It may be written to or read by the MPU at any time and is not initialized. For proper operation, it must be initialized by the user after power-up. When writing to the register, the upper 4 bits (D4–D7) are ignored.

The contents of the test register are defined as follows:

D7–D4	color information (4 bits of red, green, or blue)
D3	low (logical one) or high (logical zero) nibble
D2	blue enable
D1	green enable
D0	red enable

To use the test register, the host MPU writes to it, setting only one of the (red, green, or blue) enable bits. These bits specify which 4 bits of color information the MPU wishes to read (R0–R3, G0–G3, B0–B3, R4–R7, G4–G7, or B4–B7). When the MPU reads the test register, the 4 bits of color information from the DAC inputs are contained in the upper 4 bits, and the lower 4 bits contain the (red, green, blue, and low or high nibble) enable information previously written. Either the CLOCK must be slowed down to the MPU cycle time, or the same pixel and overlay data must be presented to the device during the entire MPU read cycle.

For example, to read the upper 4 bits of red color information being presented to the D/A converters, the MPU writes to the test register, setting only the red enable bit. The MPU then reads the test register, keeping the pixel data stable, which results in D4–D7 containing R4–R7 color bits and D0–D3 containing (red, green, blue, and low or high nibble) enable information, as illustrated below:

D7	R7
D6	R6
D5	R5
D4	R4
D3	0
D2	0
D1	0
D0	1

Since the Bt451 has 4-bit D/A converters, bit D3 of the test register will always be a logical zero.

Internal Registers (continued)

Bt457 Control/Test Register

The control/test register provides diagnostic capability by enabling the MPU to read the inputs to the D/A converter. It may be written to or read by the MPU at any time and is not initialized. For proper operation, it must be initialized by the user after power-up. When writing to the register, the upper 4 bits (D4–D7) are ignored.

The contents of the test register are defined as follows:

D7–D4	color information
D3	low (logical one) or high (logical zero) nibble
D2	blue channel enable
D1	green channel enable
D0	red channel enable

To use the control/test register, the MPU writes to it, specifying the low or high nibble of color information. When the MPU reads the register, the 4 bits of color information from the DAC inputs are contained in the upper 4 bits, and the lower 4 bits contain whatever was previously written to the register. Either the CLOCK must be slowed down to the MPU cycle time, or the same pixel and overlay data must be presented to the device during the entire MPU read cycle.

The red, green, and blue enable bits are used to specify the mode in which color data is written to and read from, the Bt457. If all three enable bits are logical zeros, each write cycle to the color palette RAM or overlay registers loads 8 bits of color data. During each read cycle of the color palette RAM or overlay registers, 8 bits of color data are output onto the data bus. If a 24-bit data bus is available, three Bt457s can be accessed simultaneously.

If any of the red, green, or blue enable bits is a logical one, the Bt457 assumes the MPU is reading and writing color information using red-green-blue cycles, such as are used on the Bt451 and Bt458. Setting the appropriate enable bit configures the Bt457 to output or input color data only for the color read/write cycle corresponding to the enabled color. Thus, if the green enable bit is a logical one, and a red-green-blue write cycle occurred, the Bt457 would input data only during the green write cycle. If a red-green-blue read cycle occurred, the Bt457 would output data only during the green read cycle. CE* must be a logical zero during each of the red-green-blue cycles. Only 1 of the enable bits must be a logical one. This mode of operation is useful when only an 8-bit data bus is available and the software drivers are written for RGB operation.

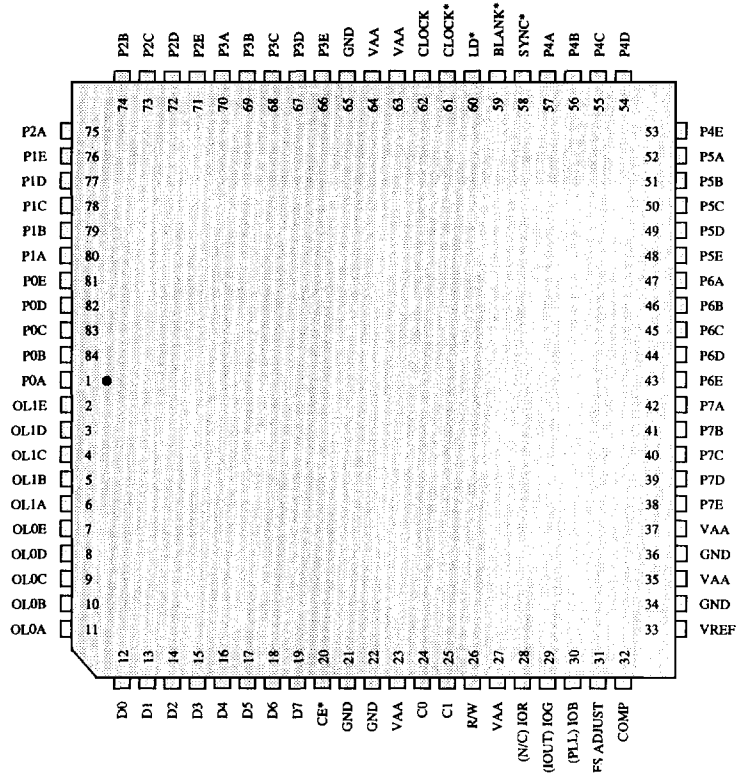
Pin Descriptions

Pin Name	Description																				
BLANK*	Composite blank control input (TTL compatible). A logical zero drives the analog outputs to the blanking level, as specified in Table 3. BLANK* is latched on the rising edge of LD*. When BLANK* is a logical zero, the pixel and overlay inputs are ignored.																				
SYNC*	Composite sync control input (TTL compatible). A logical zero on this input switches off a 40 IRE current source on the IOG output (see Figure 2). SYNC* does not override any other control or data input, as shown in Table 3; therefore, it should be asserted only during the blanking interval. It is latched on the rising edge of LD*. If sync information is not to be generated on the IOG output, this pin should be connected to GND.																				
LD*	Load control input (TTL compatible). The P0-P7 {A-E}, OL0-OL1 {A-E}, BLANK*, and SYNC* inputs are latched on the rising edge of LD*. While LD* is either one fourth or one fifth the CLOCK rate, it may be phase independent of the CLOCK and CLOCK* inputs. LD* may have any duty cycle within the limits specified in the AC Characteristics section.																				
P0-P7 {A-E}	Pixel select inputs (TTL compatible). These inputs are used to specify, on a pixel basis, which 1 of the 256 entries in the color palette RAM is to be used to provide color information. Either 4 or 5 consecutive pixels (up to 8 bits per pixel) are input through this port. They are latched on the rising edge of LD*. Unused inputs should be connected to GND. The {A} pixel is output first, followed by the {B} pixel, then the {C} pixel, etc., until all 4 or 5 pixels have been output, at which point the cycle repeats.																				
OL0-OL1 {A-E}	Overlay select inputs (TTL compatible). These control inputs are latched on the rising edge of LD*. In conjunction with bit 6 of the command register, they specify which palette is to be used for color information, as follows: <table border="1" style="margin: 10px auto;"> <thead> <tr> <th>OL1</th> <th>OL0</th> <th>CR6 = 1</th> <th>CR6 = 0</th> </tr> </thead> <tbody> <tr> <td>0</td> <td>0</td> <td>color palette RAM</td> <td>overlay color 0</td> </tr> <tr> <td>0</td> <td>1</td> <td>overlay color 1</td> <td>overlay color 1</td> </tr> <tr> <td>1</td> <td>0</td> <td>overlay color 2</td> <td>overlay color 2</td> </tr> <tr> <td>1</td> <td>1</td> <td>overlay color 3</td> <td>overlay color 3</td> </tr> </tbody> </table> <p>When accessing the overlay palette, the P0-P7 {A-E} inputs are ignored. Overlay information bits (up to 2 bits per pixel) for either 4 or 5 consecutive pixels are input through this port. Unused inputs should be connected to GND.</p>	OL1	OL0	CR6 = 1	CR6 = 0	0	0	color palette RAM	overlay color 0	0	1	overlay color 1	overlay color 1	1	0	overlay color 2	overlay color 2	1	1	overlay color 3	overlay color 3
OL1	OL0	CR6 = 1	CR6 = 0																		
0	0	color palette RAM	overlay color 0																		
0	1	overlay color 1	overlay color 1																		
1	0	overlay color 2	overlay color 2																		
1	1	overlay color 3	overlay color 3																		
IOR, IOG, IOB, IOUT	Red, green, and blue video current outputs. These high-impedance current sources can directly drive a doubly-terminated 75 Ω coaxial cable (see Figure 4 in the PC Board Layout Considerations section). The Bt457 outputs IOUT rather than IOR, IOG, and IOB.																				
PLL	Phase lock loop current output—Bt457 only. This high-impedance current source is used to enable multiple Bt457s to be synchronized with subpixel resolution when used with an external PLL. A logical one on the BLANK* input results in no current being output onto this pin, while a logical zero results in the following current being output: $PLL \text{ (mA)} = 3,227 * VREF \text{ (V)} / RSET \text{ (}\Omega\text{)}$ <p>If subpixel synchronization of multiple devices is not required, this output should be connected to GND (either directly or through a resistor up to 150 Ω).</p>																				

Pin Descriptions (continued)

Pin Name	Description
COMP	<p>Compensation pin. This pin provides compensation for the internal reference amplifier. A 0.1 μF ceramic capacitor must be connected between this pin and VAA (Figure 4). Connecting the capacitor to VAA rather than to GND provides the highest possible power supply noise rejection. The COMP capacitor must be as close to the device as possible to keep lead lengths to an absolute minimum and to maximize the capacitor's self-resonant frequency to be greater than the LD* frequency. <i>The PC Board Layout Considerations section contains critical layout criteria.</i></p>
FS ADJUST	<p>Full-scale adjust control. A resistor (RSET) connected between this pin and GND controls the magnitude of the full-scale video signal (Figure 3). The IRE relationships in Figure 2 are maintained, regardless of the full-scale output current.</p> <p>The relationship between RSET and the full-scale output current on IOG (or IOU for the Bt457) is:</p> $\text{RSET } (\Omega) = 11,294 * \text{VREF (V)} / \text{IOG (mA)}$ <p>The full-scale output current on IOR and IOB (for the Bt451 and Bt458) for a given RSET is:</p> $\text{IOR, IOB (mA)} = 8,067 * \text{VREF (V)} / \text{RSET } (\Omega)$
VREF	<p>Voltage reference input. An external voltage reference circuit, such as that shown in Figure 4, must supply this input with a 1.235 V (typical) reference. The use of a resistor network to generate the reference is not recommended, as any low-frequency power supply noise on VREF will be directly coupled onto the analog outputs. A 0.1 μF ceramic capacitor is used to decouple this input to VAA, as shown in Figure 4. If VAA is excessively noisy, better performance may be obtained by decoupling VREF to GND. The decoupling capacitor must be as close to the device as possible to keep lead lengths to an absolute minimum. Refer to the PC Board Layout Considerations section for critical layout criteria.</p>
CLOCK, CLOCK*	<p>Clock inputs. These differential clock inputs are designed to be driven by ECL logic configured for single-supply (+5 V) operation. The clock rate is typically the pixel clock rate of the system. Refer to the PC Board Layout Considerations section for critical layout criteria.</p>
CE*	<p>Chip enable control input (TTL compatible). This input must be a logical zero to enable data to be written to or read from the device. During write operations, data is internally latched on the rising edge of CE*. Glitches should be avoided on this edge-triggered input.</p>
R/W	<p>Read/write control input (TTL compatible). To write data to the device, both CE* and R/W must be a logical zero. To read data from the device, CE* must be a logical zero and R/W must be a logical one. R/W is latched on the falling edge of CE*.</p>
C0, C1	<p>Command control inputs (TTL compatible). C0 and C1 specify the type of read or write operation being performed, as presented in Table 1. They are latched on the falling edge of CE*.</p>
D0–D7	<p>Data bus (TTL compatible). Data is transferred into and out of the device over this 8-bit bidirectional data bus. D0 is the least significant bit.</p>
VAA	<p>Analog power. All VAA pins must be connected together on the same PCB plane to prevent latchup. Refer to the PC Board Layout Considerations section for critical layout criteria.</p>
GND	<p>Analog ground. All GND pins must be connected together on the same PCB plane to prevent latchup. Refer to the PC Board Layout Considerations section for critical layout criteria.</p>

Pin Descriptions (continued)—84-Pin J-Lead Package



5

Note: Bt457 pin names are in parentheses.

Pin Descriptions (continued)—84-pin PGA Package

Signal	Pin Number	Signal	Pin Number	Signal	Pin Number
BLANK*	L9	P5A	K11	VAA	C12
SYNC*	M10	P5B	L12	VAA	C11
LD*	M9	P5C	K12	VAA	A9
CLOCK*	L8	P5D	J11	VAA	L7
CLOCK	M8	P5E	J12	VAA	M7
				VAA	A7
P0A	G1	P6A	H11		
P0B	G2	P6B	H12	GND	B12
P0C	H1	P6C	G12	GND	B11
P0D	H2	P6D	G11	GND	M6
P0E	J1	P6E	F12	GND	B6
				GND	A6
P1A	J2	P7A	F11		
P1B	K1	P7B	E12	COMP	A12
P1C	L1	P7C	E11	FS ADJUST	B10
P1D	K2	P7D	D12	VREF	C10
P1E	L2	P7E	D11		
				CE*	A5
P2A	K3	OL0A	A1	R/W	B8
P2B	M1	OL0B	C2	C1	A8
P2C	L3	OL0C	B1	C0	B7
P2D	M2	OL0D	C1		
P2E	M3	OL0E	D2	D0	C3
				D1	B2
P3A	L4	OL1A	D1	D2	B3
P3B	M4	OL1B	E2	D3	A2
P3C	L5	OL1C	E1	D4	A3
P3D	M5	OL1D	F1	D5	B4
P3E	L6	OL1E	F2	D6	A4
				D7	B5
P4A	M11	IOG (IOUT)	A10		
P4B	L10	IOB (PLL)	A11		
P4C	L11	IOR (N/C)	B9		
P4D	K10				
P4E	M12				

Note: Bt457 pin names are in parentheses.

Pin Descriptions (continued)—84-pin PGA Package

12	COMP	GND	VAA	P7D	P7B	P6E	P6C	P6B	P5E	P5C	P5B	P4E	
11	IOB	GND	VAA	P7E	P7C	P7A	P6D	P6A	P5D	P5A	P4C	P4A	
10	IOG	FS ADJ	VREF							P4D	P4B	SYNC*	
9	VAA	IOR									BLK*	LD*	
8	C1	R/W									CLK*	CLK	
7	VAA	C0									VAA	VAA	
6	GND	GND									P3E	GND	
5	CE*	D7									P3C	P3D	
4	D6	D5									P3A	P3B	
3	D4	D2	D0								P2A	P2C	P2E
2	D3	D1	OL0B	OL0E	OL1B	OL1E	P0B	P0D	P1A	P1D	P1E	P2D	
1	OL0A	OL0C	OL0D	OL1A	OL1C	OL1D	P0A	POC	P0E	P1B	P1C	P2B	
	A	B	C	D	E	F	G	H	J	K	L	M	

Bt451/457/458

(TOP VIEW)

alignment marker (on top)

12	P4E	P5B	P5C	P5E	P6B	P6C	P6E	P7B	P7D	VAA	GND	COMP
11	P4A	P4C	P5A	P5D	P6A	P6D	P7A	P7C	P7E	VAA	GND	IOB
10	SYNC*	P4B	P4D							VREF	FS ADJ	IOG
9	LD*	BLK*									IOR	VAA
8	CLK	CLK*									R/W	C1
7	VAA	VAA									C0	VAA
6	GND	P3E									GND	GND
5	P3D	P3C									D7	CE*
4	P3B	P3A									D5	D6
3	P2E	P2C	P2A							D0	D2	D4
2	P2D	P1E	P1D	P1A	P0D	P0B	OL1E	OL1B	OL0E	OL0B	D1	D3
1	P2B	P1C	P1B	P0E	P0C	P0A	OL1D	OL1C	OL1A	OL0D	OL0C	OL0A
	M	L	K	J	H	G	F	E	D	C	B	A

(BOTTOM VIEW)

Pin	Bt451/458	Bt457
A10	IOG	IOUT
A11	IOB	PLL
B9	IOR	N/C

PC Board Layout Considerations

PC Board Considerations

The Bt451, Bt457, and Bt458 layouts should be optimized for lowest noise on their power and ground lines by shielding the digital inputs and providing good decoupling. The trace length between groups of VAA and GND pins should be as short as possible to minimize inductive ringing.

A well-designed power distribution network is critical to eliminating digital switching noise. The ground plane must provide a low-impedance return path for the digital circuits. A PC board with a minimum of six layers is recommended. The ground layer should be used as a shield to isolate noise from the analog traces with layer 1 (top) the analog traces, layer 2 the ground plane, layer 3 the analog power plane, and the remaining layers used for digital traces and digital power supplies.

The optimum layout enables the Bt451, Bt457, and Bt458 to be located as close as possible to the power supply connector and the video output connector.

Power and Ground Planes

The power and ground planes need isolation gaps to minimize digital switching noise effects on the analog signals and components. These gaps need to be at least 1/8-inch wide. They are placed so that digital currents cannot flow through a peninsula that contains the analog components, signals, and video connector. A sample layout is shown in Figure 3.

Device Decoupling

For optimum performance, all capacitors should be located as close as possible to the device, using the shortest possible leads (consistent with reliable operation) to reduce the lead inductance. Chip capacitors are recommended for minimum lead inductance. Radial lead ceramic capacitors may be substituted for chip capacitors and are better than axial lead capacitors for self-resonance. Values are chosen to have self-resonance above the pixel clock.

Power Supply Decoupling

The best power supply decoupling performance is obtained by providing a 0.1 μF ceramic capacitor in parallel with a 0.01 μF chip capacitor to decouple each group of VAA pins to GND. The capacitors should be placed as close as possible to the device VAA and GND pins.

The 10 μF capacitor shown in Figure 4 is for low-frequency power supply ripple; the 0.1 μF and 0.01 μF capacitors are for high-frequency power supply noise rejection. The decoupling capacitors should be connected at the VAA and GND pins, using short, wide traces.

When using a linear regulator, the power-up sequence must be verified to prevent latchup. A linear regulator is recommended to filter the analog power supply if the power supply noise is greater than 200 mV. This is especially important when a switching power supply is used and the switching frequency is close to the raster scan frequency. Note that about 10 percent of power supply hum and ripple noise less than 1 MHz will couple onto the analog outputs.

COMP Decoupling

The COMP pin must be decoupled to VAA, typically with a 0.1 μF ceramic capacitor. Low-frequency supply noise will require a larger value. The COMP capacitor must be as close as physically possible to the COMP and VAA pins. A surface-mount ceramic chip capacitor is preferred for minimal lead inductance, which degrades the noise rejection of the circuit. Short, wide traces will also reduce lead inductance.

If the display has a ghosting problem, additional capacitance in parallel with the COMP capacitor may help.

Digital Signal Interconnect

The digital inputs to the Bt451, Bt457, and Bt458 should be isolated as much as possible from the analog outputs and other analog circuitry. Also, these input signals should not overlay the analog power and output signals.

Most noise on the analog outputs will be caused by excessive edge rates (less than 3 ns), overshoot, undershoot, and ringing on the digital inputs.

The digital edge rates should be no faster than necessary, as feedthrough noise is proportional to the digital edge rates. Lower speed applications will benefit from using lower speed logic (3–5 ns edge rates) to reduce data-related noise on the analog outputs.

Transmission lines will mismatch if the lines do not match the source and destination impedance. This will degrade signal fidelity if the line length reflection time is greater than one fourth the signal edge time. Line termination or line length reduction is the solution. For

PC Board Layout Considerations *(continued)*

example, logic edge rates of 2 ns require line lengths of less than 4 inches without using termination. Ringing may be reduced by damping the line with a series resistor (30–300 Ω).

Radiation of digital signals can also be picked up by the analog circuitry. This is prevented by reducing the digital edge rates (rise/fall time), minimizing ringing with damping resistors, and minimizing coupling through PC board capacitance by routing 90 degrees to any analog signals.

The clock driver and all other digital devices on the circuit board must be adequately decoupled to prevent the noise generated by the digital devices from coupling into the analog circuitry.

Analog Signal Interconnect

The Bt451, Bt457, and Bt458 should be located as close as possible to the output connectors to minimize noise pickup and reflections caused by impedance mismatch.

The analog outputs are susceptible to crosstalk from digital lines; digital traces must not be routed under or adjacent to the analog output traces.

The video output signals should not overlay the analog power plane, to maximize the high-frequency power supply rejection.

For maximum performance, the analog video output impedance, cable impedance, and load impedance should be the same.

Analog output video edges exceeding the CRT monitor bandwidth can be reflected, producing cable-length dependent ghosts. Simple pulse filters can reduce high-frequency energy, reducing EMI and noise. The filter impedance must match the line impedance.

Analog Output Protection

The Bt451, Bt457, and Bt458 analog outputs should be protected against high-energy discharges, such as those from monitor arc-over or from "hot-switching" AC-coupled monitors.

The diode protection circuit shown in Figure 4 can prevent latchup under severe discharge conditions without adversely degrading analog transition times. The 1N4148/9 are low-capacitance, fast-switching diodes, which are also available in multiple-device packages (FSA250X or FSA270X) or surface-mountable pairs (BAV99 or MMBD7001).

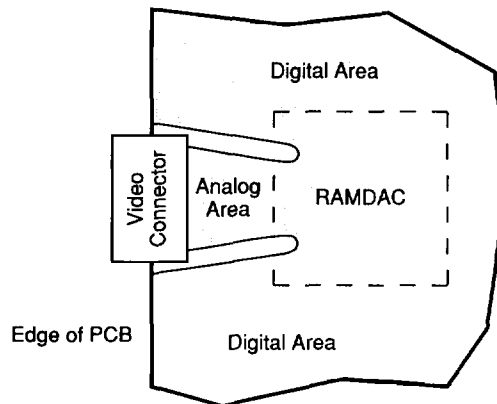
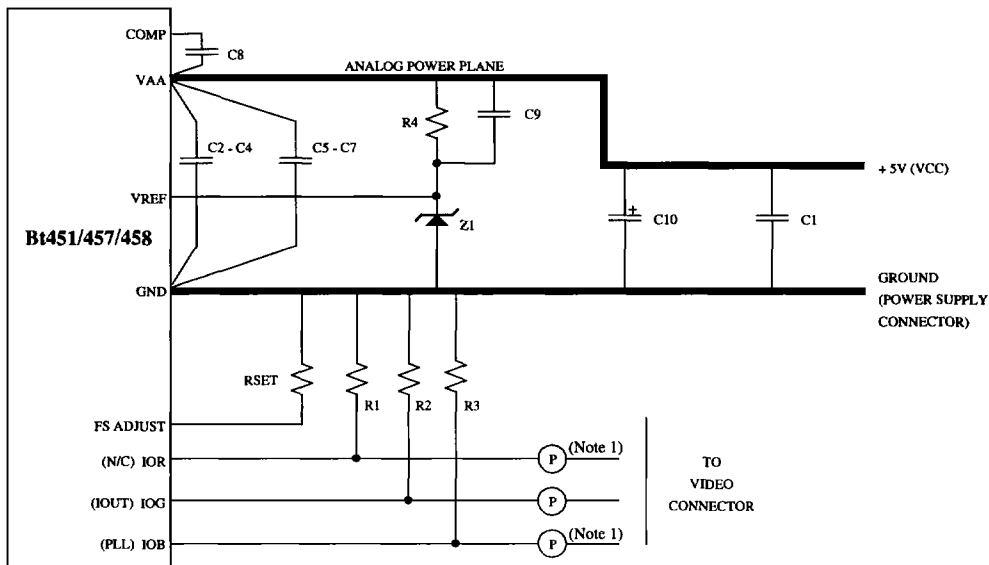


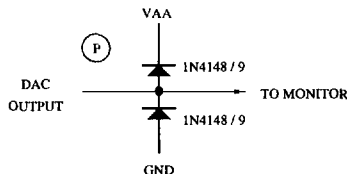
Figure 3. Sample Layout Showing Power and Ground Plane Isolation Gaps.

PC Board Layout Considerations (continued)



Note: Bt457 pin names are in parenthesis. Each pair of device VAA and GND pins must be separately decoupled with 0.1 μ F and 0.01 μ F capacitors.

Note 1: Not used with Bt457.



Location	Description	Vendor Part Number
C1-C4, C8, C9	0.1 μ F ceramic capacitor	Erie RPE112Z5U104M50V
C5-C7	0.01 μ F ceramic chip capacitor	AVX 12102T103QA1018
C10	10 μ F tantalum capacitor	Mallory CSR13G106KM
L1	ferrite bead	Fair-Rite 2743001111
R1, R2, R3	75 Ω 1% metal film resistor	Dale CMF-55C
R4	1000 Ω 1% metal film resistor	Dale CMF-55C
RSET	523 Ω 1% metal film resistor	Dale CMF-55C
Z1	1.2 V voltage reference	National Semiconductor LM385Z-1.2

Note: The vendor numbers above are listed only as a guide. Substitution of devices with similar characteristics will not affect the performance of the Bt451/457/458. R3 is not used with Bt457 (see the Application Information section).

Figure 4. Typical Connection Diagram and Parts List.

Application Information

Clock Interfacing

Because of the high clock rates at which the Bt451, Bt457, and Bt458 may operate, they are designed to accept differential clock signals (CLOCK and CLOCK*). These clock inputs are generated by ECL logic operating at +5 V. The CLOCK and CLOCK* inputs require termination resistors ($220\ \Omega$ to GND) that should be located as close as possible to the clock driver. A $150\ \Omega$ chip resistor connected between the RAMDAC's CLOCK and CLOCK* pins is also required to ensure proper termination. It should be located as close as possible to the RAMDAC. (See Figure 5.)

Applications of 165 MHz require robust ECL clock signals with strong pulldown (~ 20 mA at VOH) and double termination for clock trace lengths greater than 2 inches.

The CLOCK and CLOCK* inputs must be differential signals and greater than 0.6 V peak to peak because of the noise margins of the CMOS process. The Bt451/457/458 will not function if it uses a single-ended clock with CLOCK* connected to ground.

Typically, LD* is generated by dividing CLOCK by 4 or 5 (depending on whether 4:1 or 5:1 multiplexing was specified) and translating the result to TTL levels. As LD* may be phase shifted relative to CLOCK, propagation delays need not be considered when the LD* signal is derived. LD* may be used as the shift clock for the video DRAMs and to generate the fundamental video timing of the system (e.g., SYNC* and BLANK*).

It is recommended that the Bt438 or Bt439 Clock Generator Chips be used to generate the clock and load signals. Both support the 4:1 and 5:1 input multiplexing of the Bt451/457/458, and set the pipeline delay of the Bt457 and Bt458 to eight clock cycles. Figures 5 and 6 illustrate use of the Bt438 with the Bt451/457/458.

When a single Bt457 is used, the PLL output is ignored and should be connected to GND (either directly or through a resistor up to $150\ \Omega$).

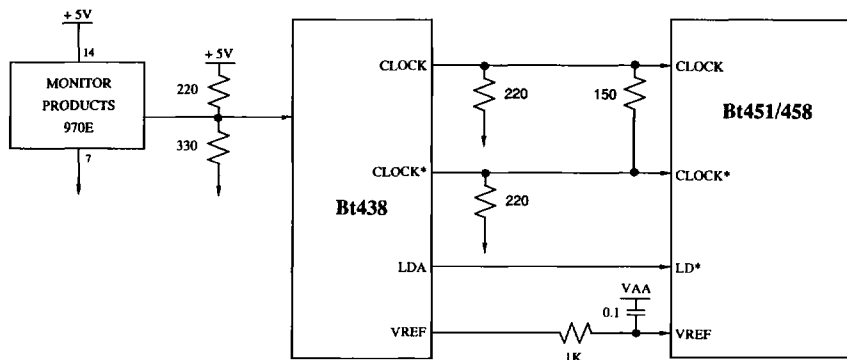


Figure 5. Generating the Bt451/458 Clock Signals.

Application Information (continued)

**Setting the Pipeline Delay
(Bt457 and Bt458)**

The pipeline delay of the Bt457/458, although fixed after a power-up condition, may be anywhere from six to ten clock cycles. The Bt457/458 contains additional circuitry enabling the pipeline delay to be fixed at eight clock cycles. The Bt438 and Bt439 Clock Generator Chips support this mode of operation when they are used with the Bt457/458.

To reset the Bt457/458, it should be powered up with LD*, CLOCK, and CLOCK* running. The CLOCK and CLOCK* signals should be stopped with CLOCK high and CLOCK* low for at least three rising edges of LD*. The device can be held with CLOCK and CLOCK* stopped for an unlimited time.

CLOCK and CLOCK* should be restarted so that the first edge of the signals is as close as possible to the rising edge of LD*. (The falling edge of CLOCK leads the rising edge of LD* by no more than 1 clock cycle or follows the rising edge of LD* by no more than 1.5 clock cycles). When the clocks are restarted, the minimum clock pulse width must not be violated.

When the Bt457/458 is reset to an eight-clock-cycle pipeline delay, the blink counter circuitry is not reset. Therefore, if the multiple Bt457/458s are used in parallel, the on-chip blink counters may not be synchronized. In this instance, the blink mask register should be \$00, and the overlay blink enable bits should be logical zeros. Software may control blinking through the read mask register and overlay display enable bits.

In standard operation, the Bt457/458 must be reset only following a power-up or reset condition. Under these circumstances the on-chip blink circuitry may be used.

Bt457 Color Display Applications

For color display applications in which up to four Bt457s are being used, it is recommended that the Bt439 Clock Generator Chip be used to generate the clock and load signals. It supports the 4:1 and 5:1 input multiplexing of the Bt457, synchronizes the clock and load signals to subpixel resolution, and sets the pipeline delay of the Bt457 to eight clock cycles. The Bt439 may also be used to interface the Bt457 to a TTL clock. Figure 7 illustrates use of the Bt439 with the Bt457.

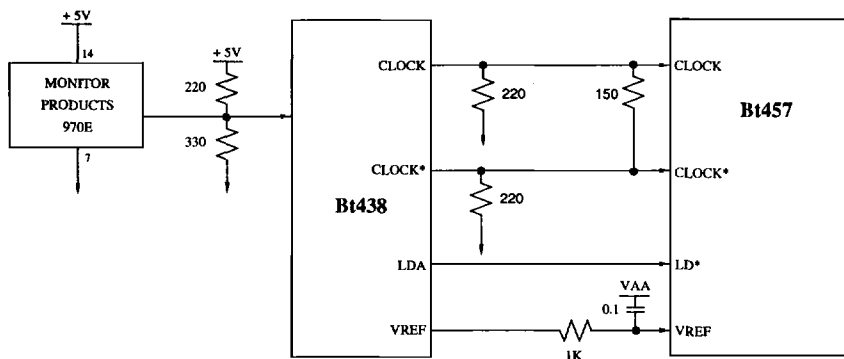


Figure 6. Generating the Bt457 Clock Signals (Monochrome Application).

Application Information (continued)

Subpixel synchronization is supported by the PLL output. Essentially, PLL provides a signal to indicate the amount of analog output delay of the Bt457 relative to CLOCK. The Bt439 compares the phase of the PLL signals generated by up to four Bt457s, and adjusts the phase of each of the CLOCK and CLOCK* signals to the Bt457s to minimize the PLL phase difference. There should be minimal layout skew in the CLOCK and PLL trace paths to ensure proper clock alignment.

If subpixel synchronization of multiple Bt457s is not necessary, the Bt438 Clock Generator Chip may be used rather than the Bt439. In this instance, the CLOCK, CLOCK*, and LD* inputs of up to four Bt457s are connected together and driven by a single Bt438 (daisy chain with single balanced termination for <100 MHz or through a 10H116 buffer for >100 MHz). The VREF inputs of the Bt457s must still have a 0.1 μF bypass capacitor to VAA. The PLL outputs would not be used and should be connected to GND (either directly or through a resistor up to 150 Ω).

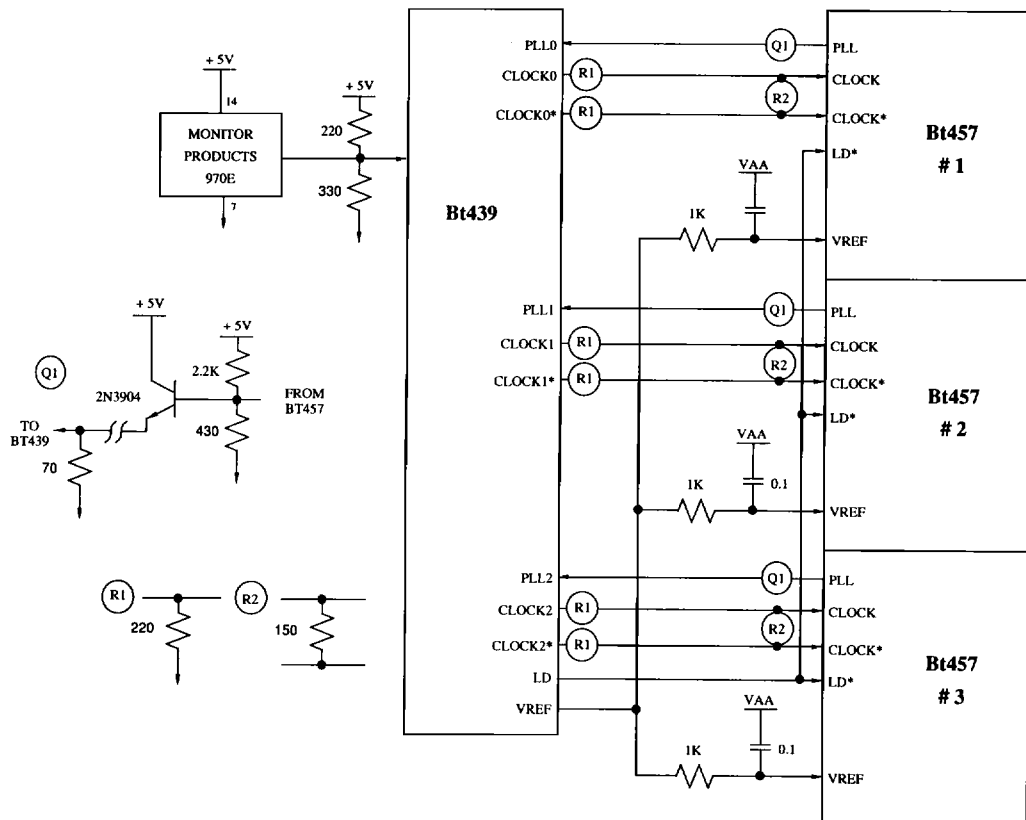


Figure 7. Generating the Bt457 Clock Signals (Color Application).

Application Information *(continued)*

Using Multiple Devices

When multiple RAMDACs are used, each RAM-DAC should have its own power plane ferrite bead. In addition, a single voltage reference may drive multiple devices; however, isolation resistors are recommended to reduce color channel crosstalk.

Higher performance may be obtained if each RAMDAC has its own voltage reference. This may further reduce the amount of color channel crosstalk and color palette interaction.

Each RAMDAC must still have its own RSET resistor, analog output termination resistors, power supply bypass capacitors, COMP capacitor, and VREF capacitor.

Bt457 Nonvideo Applications

The Bt457 may be used in nonvideo applications by disabling the video-specific control signals. SYNC* should be a logical zero, and BLANK* should be a logical one.

The relationship between RSET and the full-scale output current (Iout) in this configuration is as follows:

$$RSET (\Omega) = 7,457 * VREF (V) / Iout (mA)$$

With the DAC data inputs at \$00, there is a DC offset current (Imin) defined as follows:

$$Imin (mA) = 610 * VREF (V) / RSET (\Omega)$$

Therefore, the total full-scale output current will be Iout + Imin.

Initializing the Bt451/458

Following a power-on sequence, the Bt451/458 must be initialized. If the clock/LD* sequence is controlled to reset the pipeline delay of the Bt458 to a fixed pipeline delay of eight clock cycles, this initialization sequence must be performed after the reset sequence. The command register must also be reinitialized when the multiplex selection is changed (e.g., from 4:1 to 5:1 input multiplexing).

This sequence will configure the Bt451/458 as follows:

- 4:1 multiplexed operation
- no overlays
- no blinking

Control Register Initialization C1, C0

Write \$04 to address register	00
Write \$FF to read mask register	10
Write \$05 to address register	00
Write \$00 to blink mask register	10
Write \$06 to address register	00
Write \$40 to command register	10
Write \$07 to address register	00
Write \$00 to test register	10

Color Palette RAM Initialization

Write \$00 to address register	00
Write red data to RAM (location \$00)	01
Write green data to RAM (location \$00)	01
Write blue data to RAM (location \$00)	01
Write red data to RAM (location \$01)	01
Write green data to RAM (location \$01)	01
Write blue data to RAM (location \$01)	01
:	:
Write red data to RAM (location \$FF)	01
Write green data to RAM (location \$FF)	01
Write blue data to RAM (location \$FF)	01

Overlay Color Palette Initialization

Write \$00 to address register	00
Write red data to overlay (location \$00)	11
Write green data to overlay (location \$00)	11
Write blue data to overlay (location \$00)	11
Write red data to overlay (location \$01)	11
Write green data to overlay (location \$01)	11
Write blue data to overlay (location \$01)	11
:	:
Write red data to overlay (location \$03)	11
Write green data to overlay (location \$03)	11
Write blue data to overlay (location \$03)	11

Application Information (continued)

Initializing the Bt457 (Monochrome)

Following a power-on sequence, the Bt457 must be initialized. If the clock/LD* sequence is controlled to reset the pipeline delay of the Bt457 to a fixed pipeline delay of eight clock cycles, this initialization sequence must be performed after the reset sequence. The command register must also be reinitialized when the multiplex selection is changed (e.g., from 4:1 to 5:1 input multiplexing).

This sequence will configure the Bt457 as follows:

- 4:1 multiplexed operation
- no overlays
- no blinking
- color data written/read every cycle

Control Register Initialization C1, C0

Write \$04 to address register	00
Write \$FF to read mask register	10
Write \$05 to address register	00
Write \$00 to blink mask register	10
Write \$06 to address register	00
Write \$40 to command register	10
Write \$07 to address register	00
Write \$00 to test register	10

Color Palette RAM Initialization

Write \$00 to address register	00
Write data to RAM (location \$00)	01
Write data to RAM (location \$01)	01
:	:
Write data to RAM (location \$FF)	01

Overlay Color Palette Initialization

Write \$00 to address register	00
Write data to overlay (location \$00)	11
Write data to overlay (location \$01)	11
:	:
Write data to overlay (location \$03)	11

**Initializing the Bt457 (Color)
24-bit MPU Data Bus**

In this example, three Bt457s are being used in parallel to generate true color. A 24-bit MPU data bus is available to access all three Bt457s in parallel.

The operation and initialization are the same as the monochrome application of the Bt457.

**Initializing the Bt457 (Color)
8-bit MPU Data Bus**

In this example, three Bt457s are being used in parallel to generate true color. An 8-bit MPU data bus is available to access the Bt457s.

While accessing the command, read mask, blink mask, and control/test and address registers, each Bt457 must be accessed individually. While accessing the color palette RAM or overlay registers, all three Bt457s are accessed simultaneously.

Following a power-on sequence, the Bt457s must be initialized. If the clock/LD* sequence is controlled to reset the pipeline delay of the Bt457s to a fixed pipeline delay of eight clock cycles, this initialization sequence must be performed after the reset sequence. The command register must also be reinitialized when the multiplex selection is changed (e.g., from 4:1 to 5:1 input multiplexing).

This sequence will configure the Bt457s as follows:

- 4:1 multiplexed operation
- no overlays
- no blinking
- each Bt457 initialized as a red, green, or blue device

Control Register Initialization C1, C0

Red Bt457

Write \$04 to address register	00
Write \$FF to read mask register	10
Write \$05 to address register	00
Write \$00 to blink mask register	10
Write \$06 to address register	00
Write \$40 to command register	10
Write \$07 to address register	00
Write \$01 to test register	10

Green Bt457

Write \$04 to address register	00
Write \$FF to read mask register	10
Write \$05 to address register	00
Write \$00 to blink mask register	10
Write \$06 to address register	00
Write \$40 to command register	10
Write \$07 to address register	00
Write \$02 to test register	10

Application Information *(continued)*

Blue Bt457

Write \$04 to address register	00
Write \$FF to read mask register	10
Write \$05 to address register	00
Write \$00 to blink mask register	10
Write \$06 to address register	00
Write \$40 to command register	10
Write \$07 to address register	00
Write \$04 to test register	10

Color Palette RAM Initialization

Write \$00 to all three address registers	00
Write red data to RAM (location \$00)	01
Write green data to RAM (location \$00)	01
Write blue data to RAM (location \$00)	01
Write red data to RAM (location \$01)	01
Write green data to RAM (location \$01)	01
Write blue data to RAM (location \$01)	01
:	:
Write red data to RAM (location \$FF)	01
Write green data to RAM (location \$FF)	01
Write blue data to RAM (location \$FF)	01

Overlay Color Palette Initialization

Write \$00 to all three address registers	00
Write red data to overlay (location \$00)	11
Write green data to overlay (location \$00)	11
Write blue data to overlay (location \$00)	11
Write red data to overlay (location \$01)	11
Write green data to overlay (location \$01)	11
Write blue data to overlay (location \$01)	11
:	:
Write red data to overlay (location \$03)	11
Write green data to overlay (location \$03)	11
Write blue data to overlay (location \$03)	11

ESD and Latchup Considerations

Correct ESD-sensitive handling procedures are required to prevent device damage, which can produce symptoms of catastrophic failure or erratic device behavior with somewhat leaky inputs.

All logic inputs should be held low until power to the device has settled to the specified tolerance. DAC power decoupling networks with large time constants should be avoided. They could delay VAA power to the device. Ferrite beads must be used only for analog power VAA decoupling. Inductors cause a time constant delay that induces latchup.

Latchup can be prevented by ensuring that all VAA pins are at the same potential and that the VAA supply voltage is applied before the signal pin voltages. The correct power-up sequence ensures that any signal pin voltage will never exceed the power supply voltage by more than +0.5 V.

Recommended Operating Conditions

Parameter	Symbol	Min	Typ	Max	Units
Power Supply	VAA	4.75	5.00	5.25	V
Ambient Operating Temperature	TA	0		+70	°C
Output Load	RL		37.5		Ω
Reference Voltage	VREF	1.20	1.235	1.26	V
FS ADJUST Resistor	RSET		523		Ω

Absolute Maximum Ratings

Parameter	Symbol	Min	Typ	Max	Units
VAA (measured to GND)				7.0	V
Voltage on Any Signal Pin (Note 1) Analog Output Short-Circuit Duration to Any Power Supply or Common	ISC	GND-0.5	indefinite	VAA + 0.5	V
Ambient Operating Temperature	TA			+125	°C
Storage Temperature	TS	-55		+150	°C
Junction Temperature	TJ	-65		+175	°C
Ceramic Package				+150	°C
Plastic Package					°C
Soldering Temperature (5 seconds, 1/4" from pin)	TSOL			260	°C
Vapor Phase Soldering (1 minute)	TVSOL			220	°C

5

Stresses above those listed under "Absolute Maximum Ratings" may cause permanent damage to the device. This is a stress rating only, and functional operation of the device at these or any other conditions above those listed in the operational sections of this specification is not implied. Exposure to absolute maximum rating conditions for extended periods may affect device reliability.

Note 1: This device employs high-impedance CMOS devices on all signal pins. It should be handled as an ESD-sensitive device. Voltage on any signal pin that exceeds the power supply voltage by more than +0.5 V can induce destructive latchup.

DC Characteristics

Parameter	Symbol	Min	Typ	Max	Units
Analog Outputs Resolution (each DAC) Accuracy (each DAC) Integral Linearity Error Differential Linearity Error Gray-Scale Error Monotonicity Coding	IL DL	8 (4)	8 (4) guaranteed	8 (4) ±1 (1/8) ±1 (1/16) ±5	Bits LSB LSB % Gray Scale Binary
Digital Inputs (except CLOCK, CLOCK*) Input High Voltage Input Low Voltage Input High Current (Vin = 2.4 V) Input Low Current (Vin = 0.4 V) Input Capacitance (f = 1 MHz, Vin = 2.4 V)	VIH VIL IIH IIL CIN	2.0 GND-0.5	4	VAA + 0.5 0.8 1 -1 10	V V μA μA pF
Clock Inputs (CLOCK, CLOCK*) Differential Input Voltage Input High Current (Vin = 4.0 V) Input Low Current (Vin = 0.4 V) Input Capacitance (f = 1 MHz, Vin = 4.0 V)	ΔVIN IKIH IKIL CKIN	.6	4	6 1 -1 10	V μA μA pF
Digital Outputs (D0-D7) Output High Voltage (IOH = -800 μA) Output Low Voltage (IOL = 6.4 mA) 3-state Current Output Capacitance	VOH VOL IOZ CDOUT	2.4	10	0.4 10	V V μA pF

See test conditions on next page.

DC Characteristics (continued)

Parameter	Symbol	Min	Typ	Max	Units
Analog Outputs					
Output Current					
White Level Relative to Blank		17.69	19.05	20.40	mA
White Level Relative to Black		16.74	17.62	18.50	mA
Black Level Relative to Blank		0.95	1.44	1.90	mA
Blank Level on IOR, IOB		0	5	50	μ A
Blank Level on IOG or IOUT		6.29	7.62	8.96	mA
Sync Level on IOG or IOUT		0	5	50	μ A
LSB Size					
Bt451			1.175		mA
Bt457, Bt458			69.1		μ A
DA0-to-DAC Matching (Note 1)			2	5	%
Output Compliance	VOC	-0.5		+1.2	V
Output Impedance	RAOUT		50		k Ω
Output Capacitance (f = 1 MHz, IOUT = 0 mA)	CAOUT		13	20	pF
Voltage Reference Input Current	IREF		10		μ A
Power Supply Rejection Ratio (COMP = 0.1 μ F, f = 1 kHz)	PSRR		0.5		% / % Δ VAA

Test conditions (unless otherwise specified): "Recommended Operating Conditions" with RSET = 523 Ω and VREF = 1.235 V. As the above parameters are guaranteed over the full temperature range, temperature coefficients are not specified or required. Typical values are based on nominal temperature, i.e., room temperature, and nominal voltage, i.e., 5 V.

Note 1: Does not apply to the Bt457.

AC Characteristics

Parameter	Symbol	165 MHz Devices			135 MHz Devices			Units
		Min	Typ	Max	Min	Typ	Max	
Clock Rate LD* Rate	Fmax LDmax			165 41.25			135 33.75	MHz MHz
R/W, C0, C1 Setup Time	1	0			0			ns
R/W, C0, C1 Hold Time	2	15			15			ns
CE* Low Time	3	50			50			ns
CE* High Time	4	25			25			ns
CE* Asserted to Data Bus Driven	5	7			7			ns
CE* Asserted to Data Valid	6			75			75	ns
CE* Negated to Data Bus 3-Stated	7			15			15	ns
Write Data Setup Time	8	35			35			ns
Write Data Hold Time	9	3			3			ns
Pixel and Control Setup Time	10	3			3			ns
Pixel and Control Hold Time	11	2			2			ns
Clock Cycle Time	12	6.06			7.4			ns
Clock Pulse Width High Time	13	2.6			3			ns
Clock Pulse Width Low Time	14	2.6			3			ns
LD* Cycle Time	15	24.24			29.63			ns
LD* Pulse Width High Time	16	10			12			ns
LD* Pulse Width Low Time	17	10			12			ns
Analog Output Delay	18		12			12		ns
Analog Output Rise/Fall Time	19		2			2		ns
Analog Output Settling Time	20			8			8	ns
Clock and Data Feedthrough (Note 1)			35		35			pV-sec
Glitch Impulse (Note 1)			50		50			pV-sec
Analog Output Skew (Note 2)			0	2		0	2	ns
Pipeline Delay		6		10				Clocks
VAA Supply Current (Note 3)	IAA							
Bt451			n/a	n/a		320	410	mA
Bt458			310	370		235	340	mA
Bt457			n/a	n/a		207	257	mA

See test conditions and notes at the end of this section.

AC Characteristics (continued)

Parameter	Symbol	125 MHz Devices			110 MHz Devices			Units
		Min	Typ	Max	Min	Typ	Max	
Clock Rate	Fmax			125			110	MHz
LD* Rate	LDmax			31.25			27.5	MHz
R/W, C0, C1 Setup Time	1	0			0			ns
R/W, C0, C1 Hold Time	2	15			15			ns
CE* Low Time	3	50			50			ns
CE* High Time	4	25			25			ns
CE* Asserted to Data Bus Driven	5	7			7			ns
CE* Asserted to Data Valid	6			75			75	ns
CE* Negated to Data Bus 3-Stated	7			15			15	ns
Write Data Setup Time	8	35			35			ns
Write Data Hold Time	9	3			3			ns
Pixel and Control Setup Time	10	3			3			ns
Pixel and Control Hold Time	11	2			2			ns
Clock Cycle Time	12	8			9.09			ns
Clock Pulse Width High Time	13	3.2			4			ns
Clock Pulse Width Low Time	14	3.2			4			ns
LD* Cycle Time	15	32			36.36			ns
LD* Pulse Width High Time	16	13			15			ns
LD* Pulse Width Low Time	17	13			15			ns
Analog Output Delay	18		12			12		ns
Analog Output Rise/Fall Time	19		2			2		ns
Analog Output Settling Time	20			8			8	ns
Clock and Data Feedthrough (Note 1)			35			35		pV-sec
Glitch Impulse (Note 1)			50			50		pV-sec
Analog Output Skew (Note 2)			0	2		0	2	ns
Pipeline Delay		6		10	6		10	Clocks
VAA Supply Current (Note 3)	IAA							
Bt451			310	400		295	385	mA
Bt458			225	330		210	315	mA
Bt457			200	250		190	240	mA

See test conditions and notes at the end of this section.

5

AC Characteristics (continued)

		80 MHz Devices			
Parameter	Symbol	Min	Typ	Max	Units
Clock Rate	Fmax			80	MHz
LD* Rate	LDmax			20	MHz
R/W, C0, C1 Setup Time	1	0			ns
R/W, C0, C1 Hold Time	2	15			ns
CE* Low Time	3	50			ns
CE* High Time	4	25			ns
CE* Asserted to Data Bus Driven	5	7			ns
CE* Asserted to Data Valid	6			75	ns
CE* Negated to Data Bus 3-Stated	7			15	ns
Write Data Setup Time	8	35			ns
Write Data Hold Time	9	3			ns
Pixel and Control Setup Time	10	4			ns
Pixel and Control Hold Time	11	2			ns
Clock Cycle Time	12	12.5			ns
Clock Pulse Width High Time	13	5			ns
Clock Pulse Width Low Time	14	5			ns
LD* Cycle Time	15	50			ns
LD* Pulse Width High Time	16	20			ns
LD* Pulse Width Low Time	17	20			ns
Analog Output Delay	18		12		ns
Analog Output Rise/Fall Time	19		2		ns
Analog Output Settling Time	20			8	ns
Clock and Data Feedthrough (Note 1)			35		pV-sec
Glitch Impulse (Note 1)			50		pV-sec
Analog Output Skew (Note 2)			0	2	ns
Pipeline Delay		6		10	Clocks
VAA Supply Current (Note 3)	IAA				
Bt451			265	355	mA
Bt458			200	285	mA
Bt457			170	220	mA

See test conditions and notes on next page.

AC Characteristics (continued)

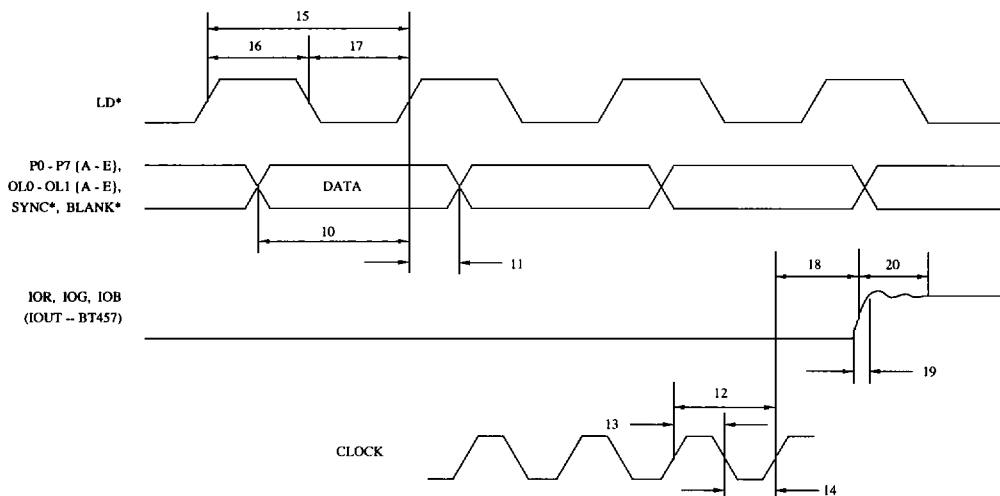
Test conditions (unless otherwise specified): "Recommended Operating Conditions" with RSET = 523 Ω and VREF = 1.235 V. TTL input values are 0–3 V with input rise/fall times ≤ 4 ns, measured between the 10-percent and 90-percent points. ECL input values are VAA–0.8 to VAA–1.8 V with input rise/fall times ≤ 2 ns, measured between the 20-percent and 80-percent points. Timing reference points at 50 percent for inputs and outputs. Analog output load ≤ 10 pF and D0–D7 output load ≤ 75 pF. See timing notes in Figure 8. As the above parameters are guaranteed over the full temperature range, temperature coefficients are not specified or required. Typical values are based on nominal temperature, i.e., room temperature, and nominal voltage, i.e., 5 V.

Note 1: Clock and data feedthrough is a function of the number of edge rates, and the amount of overshoot and undershoot on the digital inputs. For this test, the TTL digital inputs have a 1 k Ω resistor to GND and are driven by 74HC logic. Settling time does not include clock and data feedthrough. Glitch impulse includes clock and data feedthrough, and –3 dB test bandwidth = 2x clock rate.

Note 2: Does not apply to the Bt457.

Note 3: At Fmax. IAA (typ) at VAA = 5.0 V and TA = 20° C. IAA (max) at VAA = 5.25 V and TA = 0° C.

Timing Waveforms



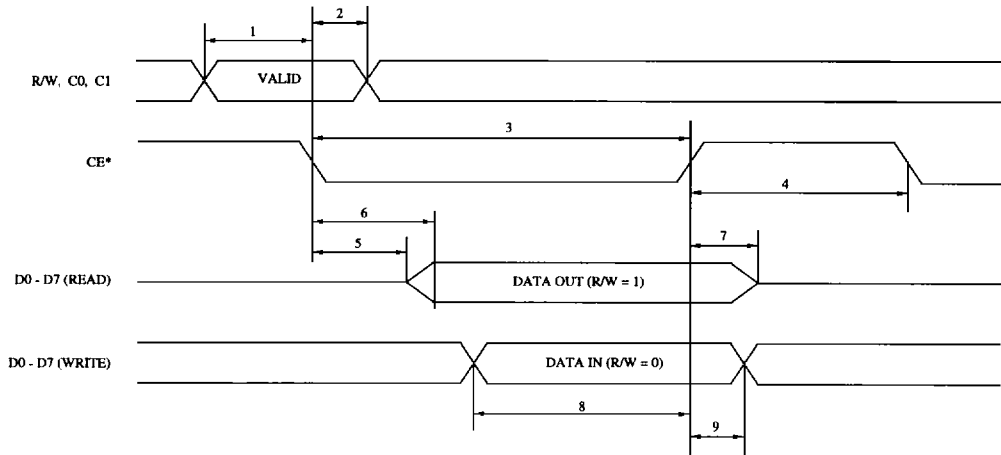
Note 1: Output delay time is measured from the 50-percent point of the rising clock edge to the 50-percent point of full-scale transition.

Note 2: Output settling time is measured from the 50-percent point of full-scale transition to output settling within ±1 LSB for the Bt457/458 or ± 1/8LSB for the Bt451.

Note 3: Output rise/fall time is measured between the 10-percent and 90-percent points of full-scale transition.

Figure 8. Video Input/Output Timing.

Timing Waveforms (continued)



MPU Read/Write Timing.

Ordering Information

Model Number	RAM	DACs	Speed	Package	Ambient Temperature Range
Bt458LG165	256 x 24	triple 8-bit	165 MHz	84-pin Ceramic PGA	0° to +70° C
Bt458KG135	256 x 24	triple 8-bit	135 MHz	84-pin Ceramic PGA	0° to +70° C
Bt458KG125	256 x 24	triple 8-bit	125 MHz	84-pin Ceramic PGA	0° to +70° C
Bt458KG110	256 x 24	triple 8-bit	110 MHz	84-pin Ceramic PGA	0° to +70° C
Bt458KG80	256 x 24	triple 8-bit	80 MHz	84-pin Ceramic PGA	0° to +70° C
Bt458LPJ165	256 x 24	triple 8-bit	165 MHz	84-Pin Plastic J-Lead	0° to +70° C
Bt458LPJ135	256 x 24	triple 8-bit	135 MHz	84-Pin Plastic J-Lead	0° to +70° C

Ordering Information *(continued)*

Model Number	RAM	DACs	Speed	Package	Ambient Temperature Range
Bt458LPJ125	256 x 24	triple 8-bit	125 MHz	84-Pin Plastic J-Lead	0° to +70° C
Bt458LPJ110	256 x 24	triple 8-bit	110 MHz	84-Pin Plastic J-Lead	0° to +70° C
Bt458LPJ80	256 x 24	triple 8-bit	80 MHz	84-Pin Plastic J-Lead	0° to +70° C
Bt451KG135	256 x 12	triple 4-bit	135 MHz	84-pin Ceramic PGA	0° to +70° C
Bt451KG125	256 x 12	triple 4-bit	125 MHz	84-pin Ceramic PGA	0° to +70° C
Bt451KG110	256 x 12	triple 4-bit	110 MHz	84-pin Ceramic PGA	0° to +70° C
Bt451KG80	256 x 12	triple 4-bit	80 MHz	84-pin Ceramic PGA	0° to +70° C
Bt451KPJ135	256 x 12	triple 4-bit	135 MHz	84-Pin Plastic J-Lead	0° to +70° C
Bt451KPJ125	256 x 12	triple 4-bit	125 MHz	84-Pin Plastic J-Lead	0° to +70° C
Bt451KPJ110	256 x 12	triple 4-bit	110 MHz	84-Pin Plastic J-Lead	0° to +70° C
Bt451KPJ80	256 x 12	triple 4-bit	80 MHz	84-Pin Plastic J-Lead	0° to +70° C
Bt457KG135	256 x 8	single 8-bit	135 MHz	84-pin Ceramic PGA	0° to +70° C
Bt457KG125	256 x 8	single 8-bit	125 MHz	84-pin Ceramic PGA	0° to +70° C
Bt457KG110	256 x 8	single 8-bit	110 MHz	84-pin Ceramic PGA	0° to +70° C
Bt457KG80	256 x 8	single 8-bit	80 MHz	84-pin Ceramic PGA	0° to +70° C
Bt457KPJ135	256 x 8	single 8-bit	135 MHz	84-Pin Plastic J-Lead	0° to +70° C
Bt457KPJ125	256 x 8	single 8-bit	125 MHz	84-Pin Plastic J-Lead	0° to +70° C
Bt457KPJ110	256 x 8	single 8-bit	110 MHz	84-Pin Plastic J-Lead	0° to +70° C
Bt457KPJ80	256 x 8	single 8-bit	80 MHz	84-Pin Plastic J-Lead	0° to +70° C