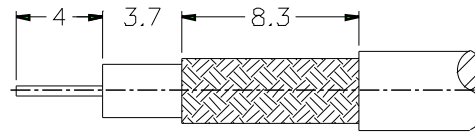
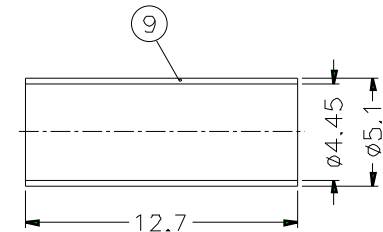
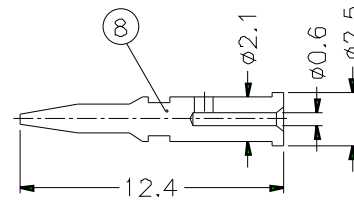
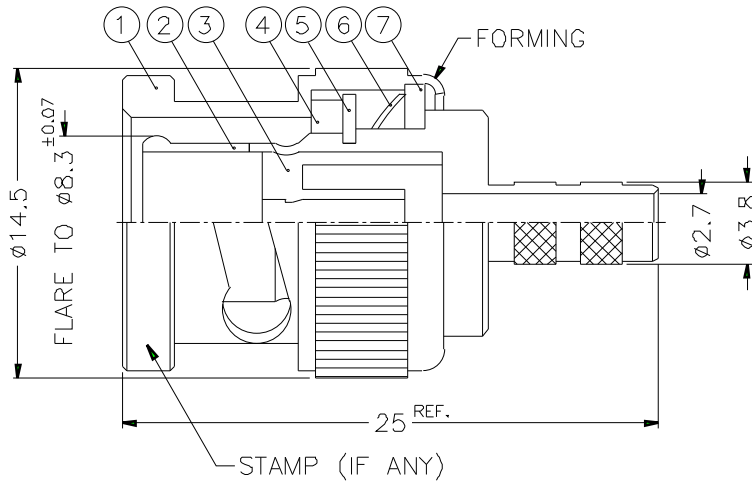


1		2		3		4		5		6		7		8	
REVISIONS															
ISS	ZONE	DESCRIPTION\PER REQUEST\DATE													
A1															



RECOMMENDED  
CABLE STRIPPING DIM'S



NOTES: FINISH (PLATING THICKNESS IN MICRO-INCHES)

1. BRASS PER QQ-B-626
2. BRASS PER QQ-B-613
3. NICKEL PL. 100 MIN. THICK OVER COPPER STRIKE
4. NICKEL PL. 200 MIN. THICK OVER COPPER STRIKE
5. GOLD PL. 3 MIN. THICK OVER NICKEL PL. 100 MIN. THICK OVER COPPER STRIKE
6. JIS H 3250, C 2700

1. CRIMPED FERRULE  
HEX CRIMP SIZE .178"
2. CRIMPED CONTACT PIN  
HEX CRIMP SIZE .068"

9	FERRULE	NOTE 6	NOTE 3	1	FR-51/445X127	DIMENSIONS ARE IN MILLIMETERS UNLESS OTHERWISE SPECIFIED TOLERANCES 0.5-6 = ±0.2 6-30 = ±0.4 30-120 = ±0.6 120-315 = ±1 315-1000 = ±1.6 1000-2000 = ±2.4				PART NO. B1121A1-ND3G-16-75		<b>Amphenol</b>			
8	CONTACT PIN	NOTE 1	NOTE 5	1	B50000-8-25/06					APPROVED DATE 10-11-01'					
7	WASHER	NOTE 2	NOTE 3	1	WS-128/9X08	CHECKED DATE 10-11-01'		DRAWING NO. KJ-B1121A1-ND3G-8218-75							
6	SPRING	SK5	NOTE 4	1	B50000-6	DRAWN DATE 10-11-01'		ITEM NO.							
5	RETAINER RING	NOTE 1	NOTE 3	1	B50000-5	FILE NO.									
4	GASKET	RUBBER	RED	1	GS-115/8X15										
3	INSULATOR	DELTRIN	NATURAL	1	B50000-3-75-A										
2	BODY	NOTE 1	NOTE 3	1	B50000-2-38/27										
1	SHELL	NOTE 1	NOTE 3	1	B50000-1-B										
NO.	DESCRIPTION	MATERIAL	FINISH	Q'TY	DRAWING NO.	SCALE	3/1	ISSUE	A						

1		2		3		4		5		6		7		8	
---	--	---	--	---	--	---	--	---	--	---	--	---	--	---	--