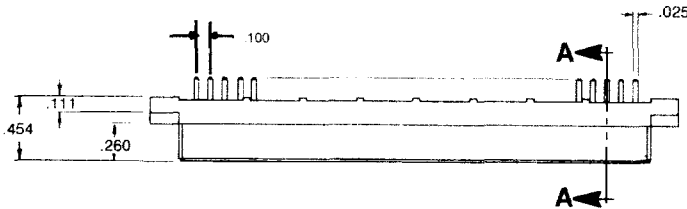
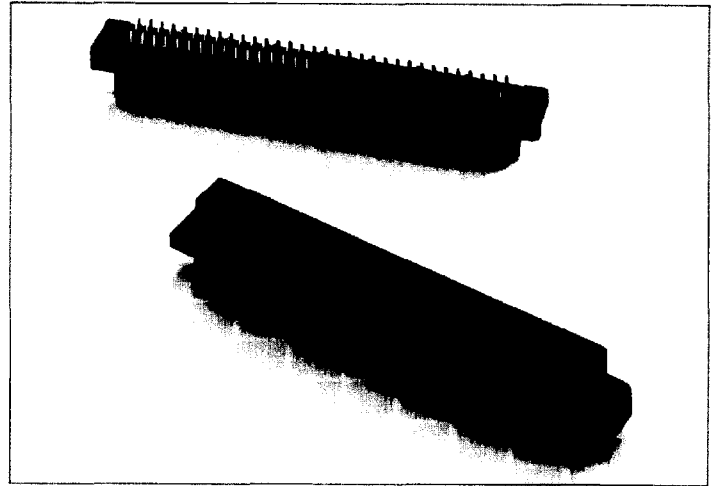


# DIN 41612 Type C Receptacle

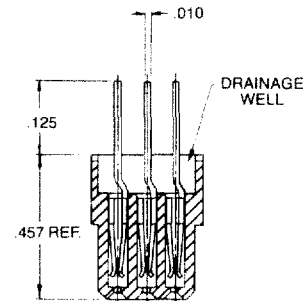
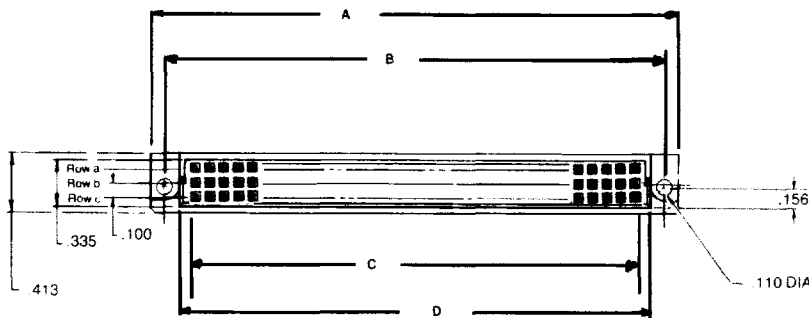


Methode's Type C female connector is totally intermateable with DIN 41612 C format male connectors. The specially designed one piece insulator and box contact offers superior drainage over standard designs. The connector mounts on the EuroDIN standard footprint and is a direct retrofit for dip solder applications.



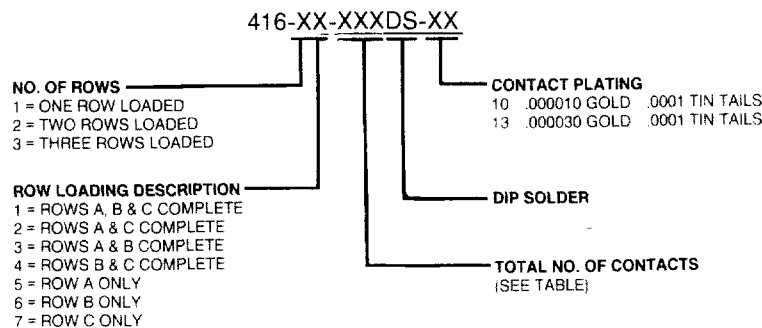
## Specifications

Insulator Material: Glass Filled Polyester, UL94V-0  
 Contact Material: Phosphor Bronze  
 Contact Finish: Selective Gold plate with tin plated P.C. tails  
 Operating Temperature:  $-50^{\circ}\text{C}$  to  $+105^{\circ}\text{C}$



SECTION A-A

## PART NUMBERS



PART NO.	A	B	C	D
416-XX-032DS-XX	3.740	3.543	3.100	3.342
416-XX-040DS-XX	4.540	4.343	3.900	4.142
416-XX-064DS-XX	3.740	3.543	3.100	3.342
416-XX-080DS-XX	4.540	4.343	3.900	4.142
416-XX-096DS-XX	3.740	3.543	3.100	3.342
416-XX-120DS-XX	4.540	4.343	3.900	4.142