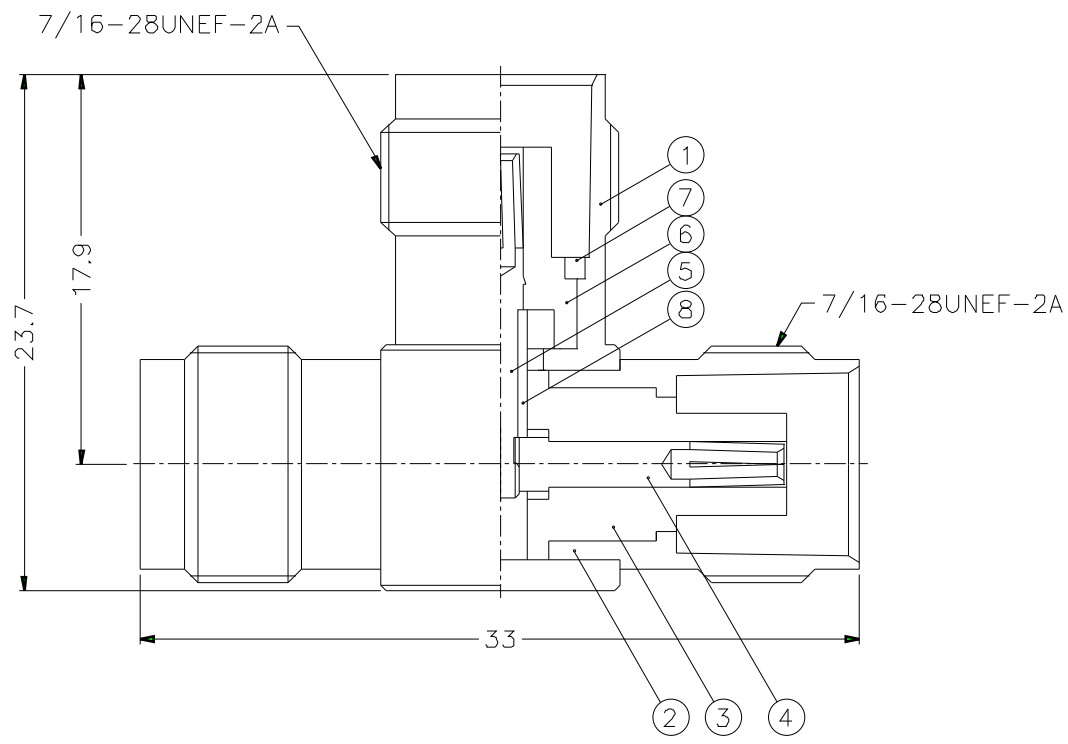


1	2		3	4	5	6	7	8
REVISIONS								
ISS	ZONE	DESCRIPTION\PER REQUEST\DATE						



NOTES: FINISH (PLATING THICKNESS IN MICRO-INCHES)
 1. BRASS PER QQ-B-626
 2. BRASS PER QQ-B-613
 3. NICKEL PL. 100 MIN. THICK OVER COPPER STRIKE
 4. PHOSPHOR BRONZE PER QQ-B-750
 5. GOLD PL. 3 MIN. THICK OVER NICKEL PL. 100 MIN. THICK OVER COPPER STRIKE

8	SLEEVE	DELTRIN	NATURAL	1	SL-25/17X6	DIMENSIONS ARE IN MILLIMETERS UNLESS OTHERWISE SPECIFIED TOLERANCES 0.5-6 = ±0.2 6-30 = ±0.4 30-120 = ±0.6 120-315 = ±1 315-1000 = ±1.6 1000-2000 = ±2.4			PART NO.	T8073A1-ND3G-50	<h1>Amphenol</h1> TITLE TNC "I" ADAPTOR JACK-JACK-JACK DRAWING NO. KJ-T8073A1-ND3G-50 ITEM NO.	
7	LOCK RING	NOTE 2	NOTE 3	1	B7700-4				APPROVED	DATE		10-11-01'
6	INSULATOR	DELTRIN	NATURAL	1	B8073A1-6-50				CHECKED	DATE		10-11-01'
5	CONTACT PIN	NOTE 4	NOTE 5	1	B8073A1-5				DRAWN	DATE		10-11-01'
4	CONTACT PIN	NOTE 4	NOTE 5	1	B7996-5				FILE NO.			
3	INSULATOR	DELTRIN	NATURAL	2	B9073A1-4-50							
2	BODY	NOTE 1	NOTE 3	2	T9073A1-3							
1	HOUSING	NOTE 1	NOTE 3	1	T7995-1							
NO.	DESCRIPTION	MATERIAL	FINISH	Q'TY	DRAWING NO.	SCALE	3/1	ISSUE	A	FILE NO.		

1	2	3	4	5	6	7	8
---	---	---	---	---	---	---	---