

DO NOT SCALE FROM THIS PRINT

DESIGNED & DIMENSIONED IN MILLIMETERS

MODS-F-8P8C-X-XX-X-X-SM-X-XX

- TYPE -F
- POSITIONS/CONTACTS -8P8C: 8 POS/8 CON
- PLATING
 - L: .00015" GOLD
 - S: .00030" GOLD
 - U: .00050" GOLD (SEE NOTE 4)
- SHIELDED
 - S: NO PANEL GROUNDS
 - S4: PANEL GROUNDS ON TOP AND SIDE (SEE SHEET 3 FOR SHIELD USED) (LEAVE BLANK FOR UNSHIELDED)
- OPTIONS
 - TR: TAPE AND REEL (LEAVE BLANK FOR TRAY PACKAGING)
- E & I OPTION
 - R: RoHS COMPLIANT
- SURFACE MOUNT
- LED 2
 - X: CODE (SEE TABLE 1, SHEET 2)
 - N: NO LED (SEE FIGURE 1) (BOTH LED OPTIONS MUST BE -N)
- LED 1
 - X: CODE (SEE TABLE 1, SHEET 2)
 - N: NO LED (SEE FIGURE 1) (BOTH LED OPTIONS MUST BE -N)

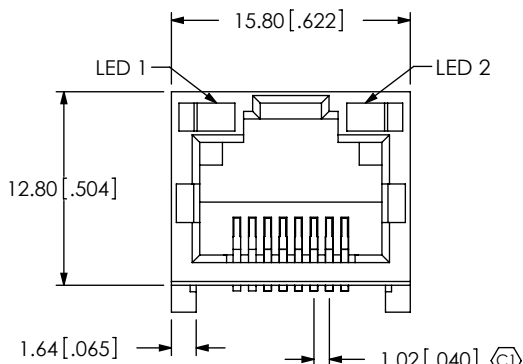
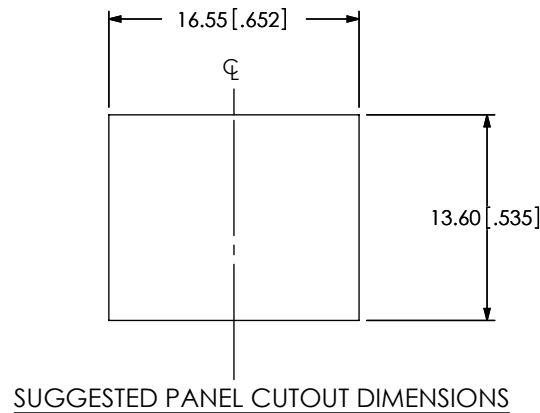
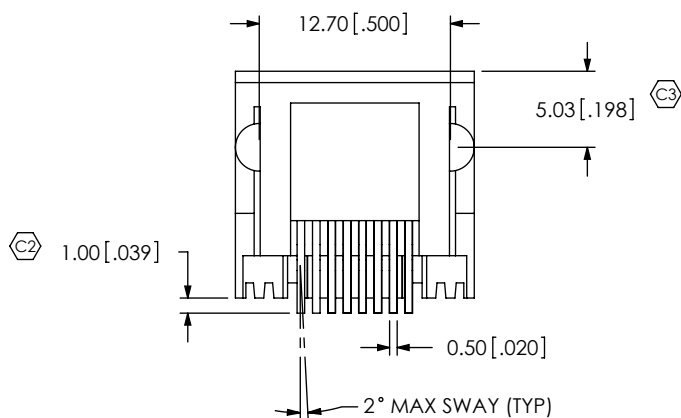
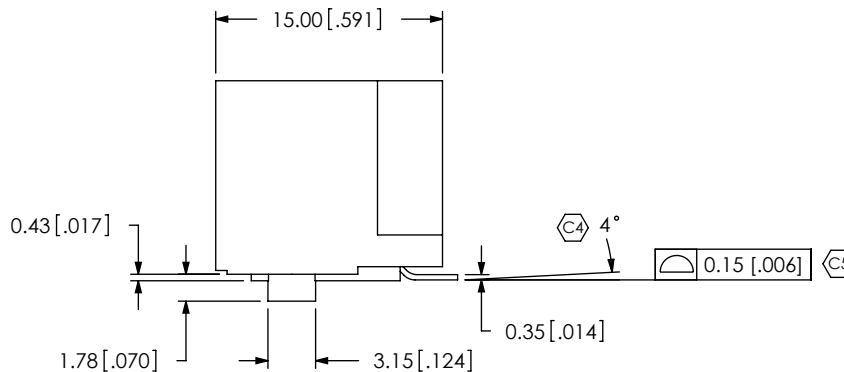


FIG 1
MODS-F-8P8C-X-N-N-SM-R




NOTES:

1. C1 REPRESENTS A CRITICAL DIMENSION.
2. CRITICAL DIMENSIONS ON PCB LAYOUT APPLY TO THE ASSEMBLY.
3. LED FORWARD VOLTAGE IS 2.3V (TYP), REVERSE VOLTAGE IS 5V. FORWARD DC IS 20mA.
4. PLATING APPLIES TO MATING AREA, GOLD FLASH ON TAILS, ALL PLATING OVER NICKEL UNDERPLATE.
5. PIN NUMBERS REFLECT PIN CALLOUT ON THE CONNECTOR, NOT USER SYSTEM WIRING ASSIGNMENT.
6. LONGER LED TAIL TO BE ASSEMBLED AS SHOWN.

UNLESS OTHERWISE SPECIFIED, DIMENSIONS ARE IN MM.
TOLERANCES ARE:
DECIMALS ANGLES
.XX: ±.25 [.010] 2°
.XXX: ±.13 [.005]
.XXXX: ±.05 [.002]

PROPRIETARY NOTE
THIS DOCUMENT CONTAINS INFORMATION CONFIDENTIAL AND PROPRIETARY TO SAMTEC, INC. AND SHALL NOT BE REPRODUCED OR TRANSFERRED TO OTHER DOCUMENTS OR DISCLOSED TO OTHERS OR USED FOR ANY PURPOSE OTHER THAN THAT WHICH IT WAS OBTAINED WITHOUT THE EXPRESSED WRITTEN CONSENT OF SAMTEC, INC.



520 PARK EAST BLVD, NEW ALBANY, IN 47150
PHONE: 812-944-6733 FAX: 812-948-5047
e-Mail: info@SAMTEC.com code: 55322

DESCRIPTION:
RJ45 SIDE ENTRY PCB JACK WITH LED

DWG. NO.
MODS-F-8P8C-X-XX-X-X-SM-X-XX

BY: B. COOPER 2/6/2007 SHEET 1 OF 4

MATERIAL: DO NOT SCALE DRAWING SHEET SCALE: 2:1
INSULATOR: NYLON 9T
SPRING WIRE: .35mm PHOS BRONZE
SHIELD: .25 COPPER ALLOY, NICKEL PLATED
MAX FLASH ALLOWED: .051 [.0020]
MAX GATE VESTIGE: .051 [.0020]
F:\DWG\MISC\MKTG\MODS-F-8P8C-X-XX-X-X-SM-X-XX-MKT.SLDDRW

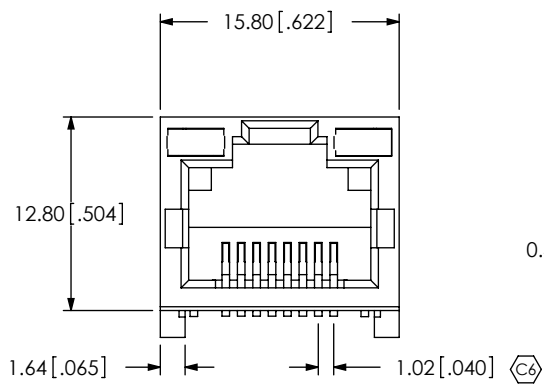
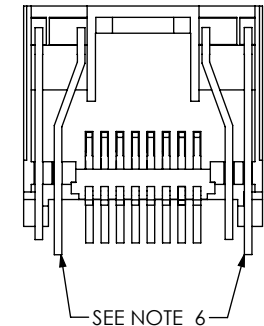
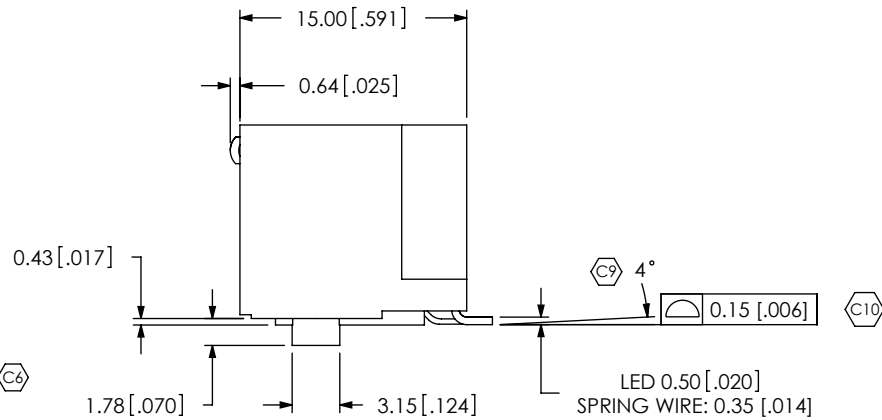


FIG 2
MODS-F-8P8C-X-X-X-SM-R



IN-PROCESS

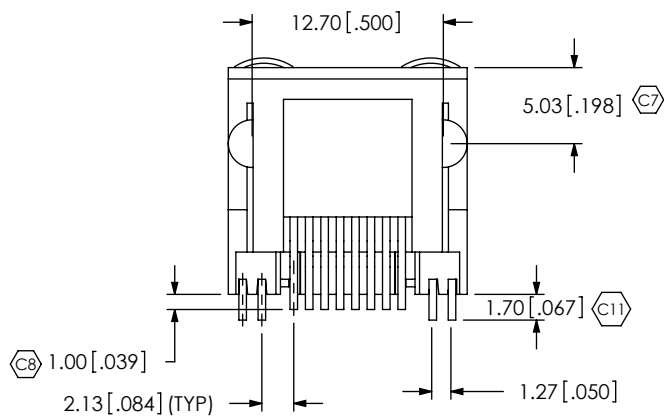
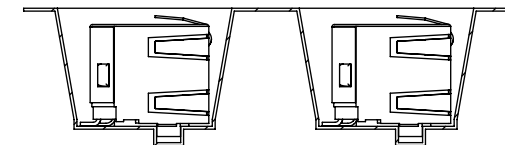
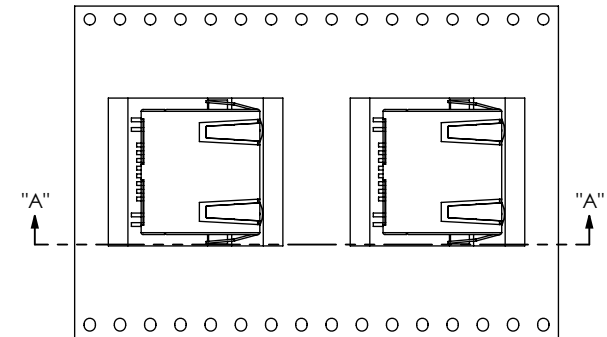


TABLE 1

CODE	FORWARD	REVERSE	LED USED
G	GREEN	N/A	LED-G1-01-H
Y	YELLOW	N/A	LED-Y1-01-H
1	GREEN	ORANGE	LED-G2-01-H
2	YELLOW	ORANGE	LED-Y2-01-H
3	GREEN	RED	LED-G3-01-H
4	YELLOW	RED	LED-Y3-01-H
5	GREEN	YELLOW	LED-G4-01-H
6	YELLOW	GREEN	LED-Y4-01-H

(FORWARD INDICATES CURRENT FLOWING FROM POSITIVE TO NEGATIVE)

PACKAGING VIEW
POCKET NOT DETAILED



SECTION "A"- "A"
SCALE 1:1

PROPRIETARY NOTE

THIS DOCUMENT CONTAINS INFORMATION CONFIDENTIAL AND PROPRIETARY TO SAMTEC, INC. AND SHALL NOT BE REPRODUCED OR TRANSFERRED TO OTHER DOCUMENTS OR DISCLOSED TO OTHERS OR USED FOR ANY PURPOSE OTHER THAN THAT WHICH IT WAS OBTAINED WITHOUT THE EXPRESSED WRITTEN CONSENT OF SAMTEC, INC.

DO NOT SCALE DRAWING

SHEET SCALE: 2:1



520 PARK EAST BLVD, NEW ALBANY, IN 47150
PHONE: 812-944-6733 FAX: 812-948-5047
e-Mail: info@SAMTEC.com code: 55322

DESCRIPTION:
RJ45 SIDE ENTRY PCB JACK WITH LED

DWG. NO.
MODS-F-8P8C-X-XX-X-X-SM-X-XX

BY: B. COOPER 2/6/2007 SHEET 2 OF 4

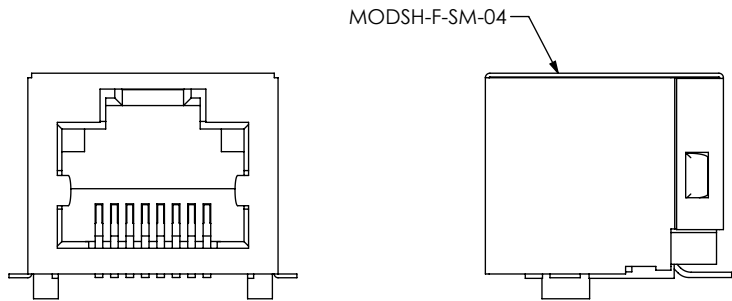


FIG 3
MODS-F-8P8C-X-S-N-N-SM-R
(ALL DIMS SAME AS FIG 6)

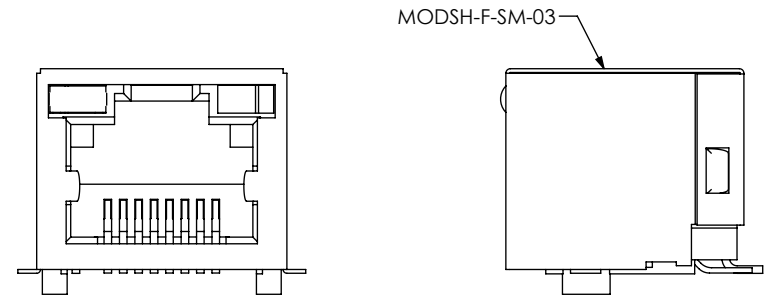


FIG 4
MODS-F-8P8C-X-S-X-X-SM-R
(ALL DIMS SAME AS FIG 6)

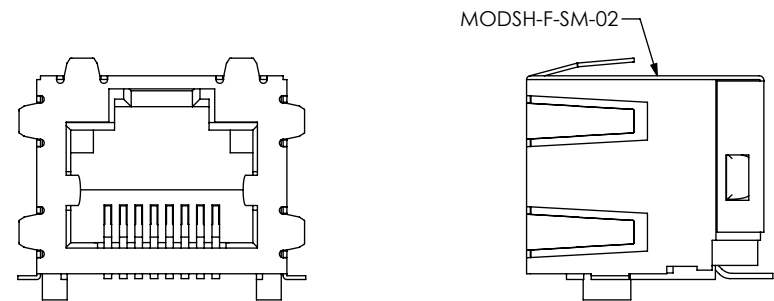


FIG 5
MODS-F-8P8C-X-S4-N-N-SM-R
(ALL DIMS SAME AS FIG 6)

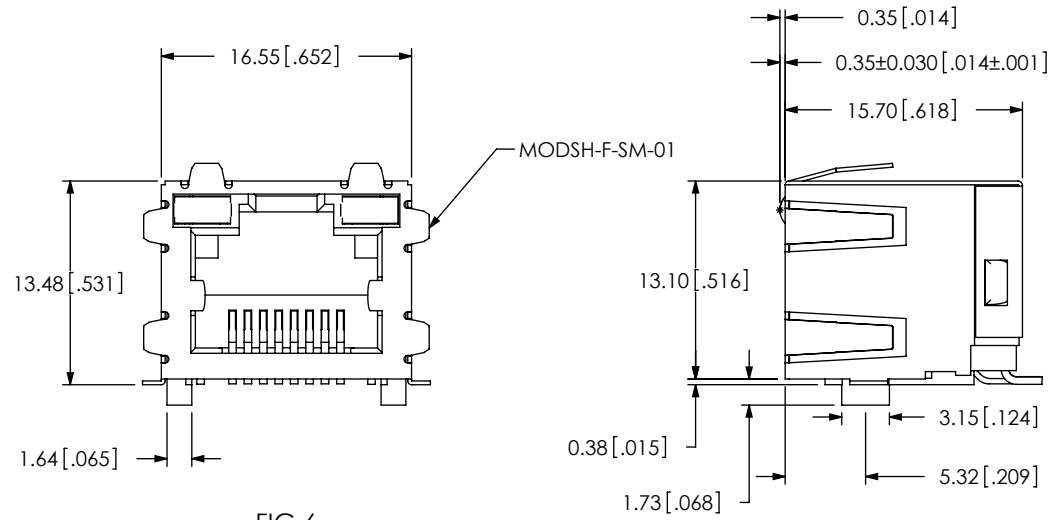
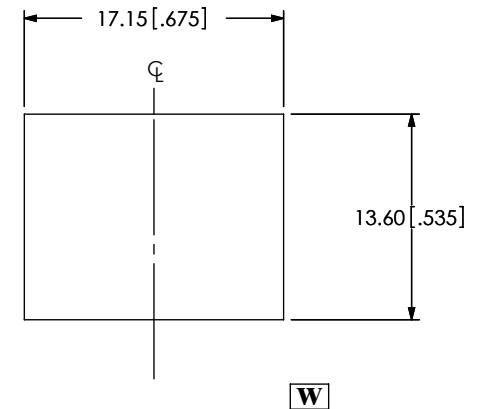
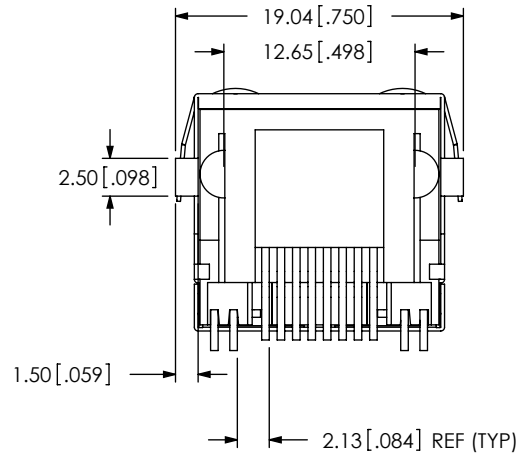


FIG 6
MODS-F-8P8C-X-S4-X-X-SM-R



SUGGESTED PANEL CUTOUT DIMENSIONS

PROPRIETARY NOTE
THIS DOCUMENT CONTAINS INFORMATION CONFIDENTIAL AND PROPRIETARY TO SAMTEC, INC. AND SHALL NOT BE REPRODUCED OR TRANSFERRED TO OTHER DOCUMENTS OR DISCLOSED TO OTHERS OR USED FOR ANY PURPOSE OTHER THAN THAT WHICH IT WAS OBTAINED WITHOUT THE EXPRESSED WRITTEN CONSENT OF SAMTEC, INC.

DO NOT SCALE DRAWING

SHEET SCALE: 2:1

samtec

520 PARK EAST BLVD, NEW ALBANY, IN 47150
PHONE: 812-944-6733 FAX: 812-948-5047
e-Mail: info@SAMTEC.com code: 55322

DESCRIPTION:
RJ45 SIDE ENTRY PCB JACK WITH LED

DWG. NO.
MODS-F-8P8C-X-XX-X-X-SM-X-XX

BY: B. COOPER 2/6/2007 SHEET 3 OF 4

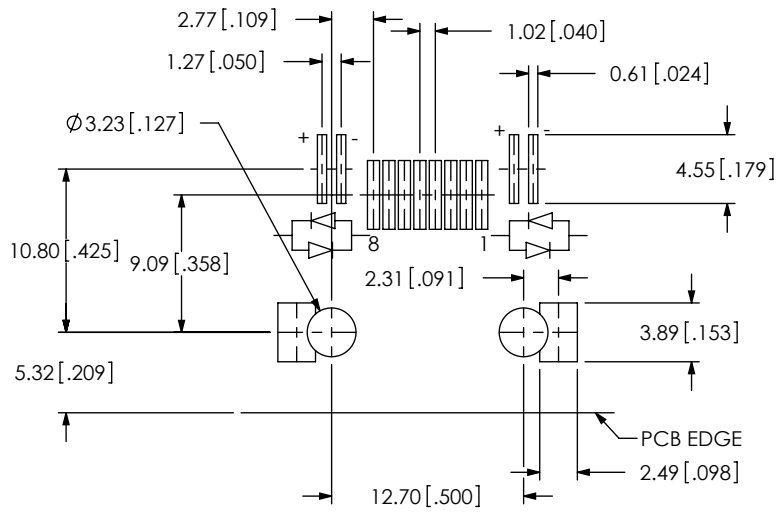


FIG 7
PCB LAYOUT FOR
MODS-F-8P8C-X-X-X-X-SM-R

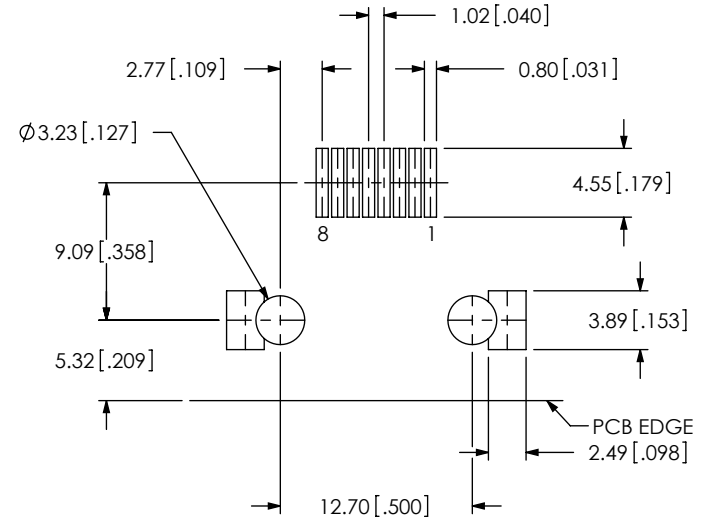


FIG 8
PCB LAYOUT FOR
MODS-F-8P8C-X-X-N-N-SM-R

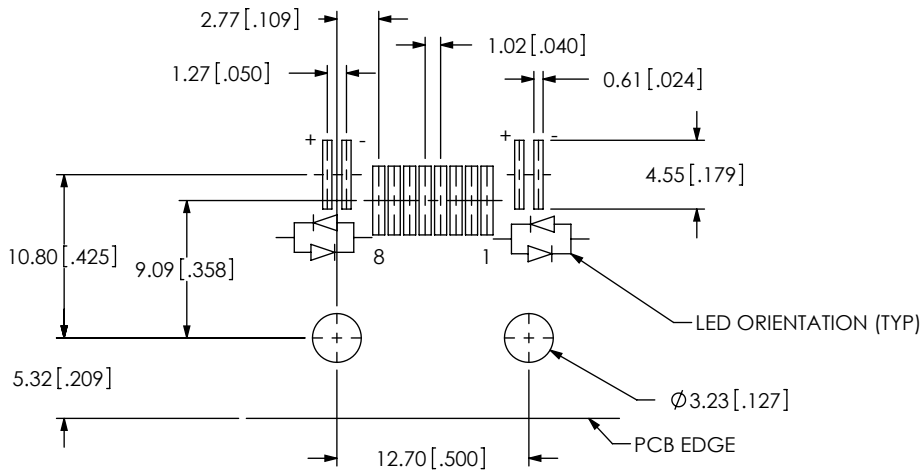


FIG 9
PCB LAYOUT FOR
MODS-F-8P8C-X-X-X-SM-R

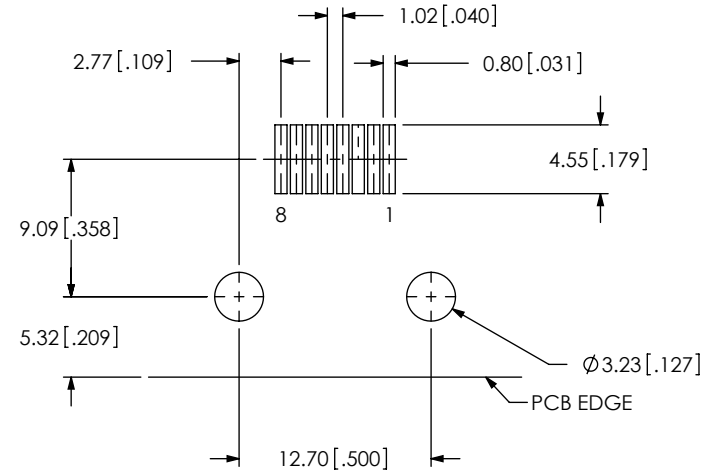


FIG 10
PCB LAYOUT FOR
MODS-F-8P8C-X-N-N-SM-R

PROPRIETARY NOTE
THIS DOCUMENT CONTAINS INFORMATION
CONFIDENTIAL AND PROPRIETARY TO
SAMTEC, INC. AND SHALL NOT BE REPRODUCED
OR TRANSFERRED TO OTHER DOCUMENTS OR
DISCLOSED TO OTHERS OR USED FOR ANY
PURPOSE OTHER THAN THAT WHICH IT WAS
OBTAINED WITHOUT THE EXPRESSED WRITTEN
CONSENT OF SAMTEC, INC.

DO NOT SCALE DRAWING

SHEET SCALE: 2:1

samtec

520 PARK EAST BLVD, NEW ALBANY, IN 47150
PHONE: 812-944-6733 FAX: 812-948-5047
e-Mail: info@SAMTEC.com code: 55322

DESCRIPTION:
RJ45 SIDE ENTRY PCB JACK WITH LED
DWG. NO.
MODS-F-8P8C-X-XX-X-X-SM-X-XX
BY: B. COOPER 2/6/2007 SHEET 4 OF 4