



**DUAL SYNCHRONOUS PWM CONTROLLER
CIRCUITRY AND LDO CONTROLLER**

PRELIMINARY DATA SHEET

FEATURES

- Dual Synchronous Controller in 16-Pin Package with 180° out-of-phase operation
- LDO Controller with 40mA drive
- Configured as 2-Independent PWM Controller
- Flexible, Same or Separate Supply Operation
- Operation from 4V to 25V Input
- Internal 200KHz Oscillator
- Soft-Start controls all outputs
- Fixed Frequency Voltage Mode
- 500mA Peak Output Drive Capability
- Programmable Outputs
- RoHS Compliant

APPLICATIONS

- DDR Memory Source Sink Vtt Application
- Graphic Card
- Hard Disk Drive
- Power supplies requiring multiple outputs

DESCRIPTION

The APU3048 IC combines a Dual synchronous Buck controller and a linear regulator controller, providing a cost-effective, high performance and flexible solution for multi-output applications. The Dual synchronous controller is configured as 2-independent PWM controller. APU3048 provides a separate adjustable output by driving a switch as a linear regulator. This device features an internal 200KHz oscillator, under-voltage lockout for all input supplies, an external programmable soft start function as well as output under-voltage detection that latches off the device when an output short is detected.

TYPICAL APPLICATION

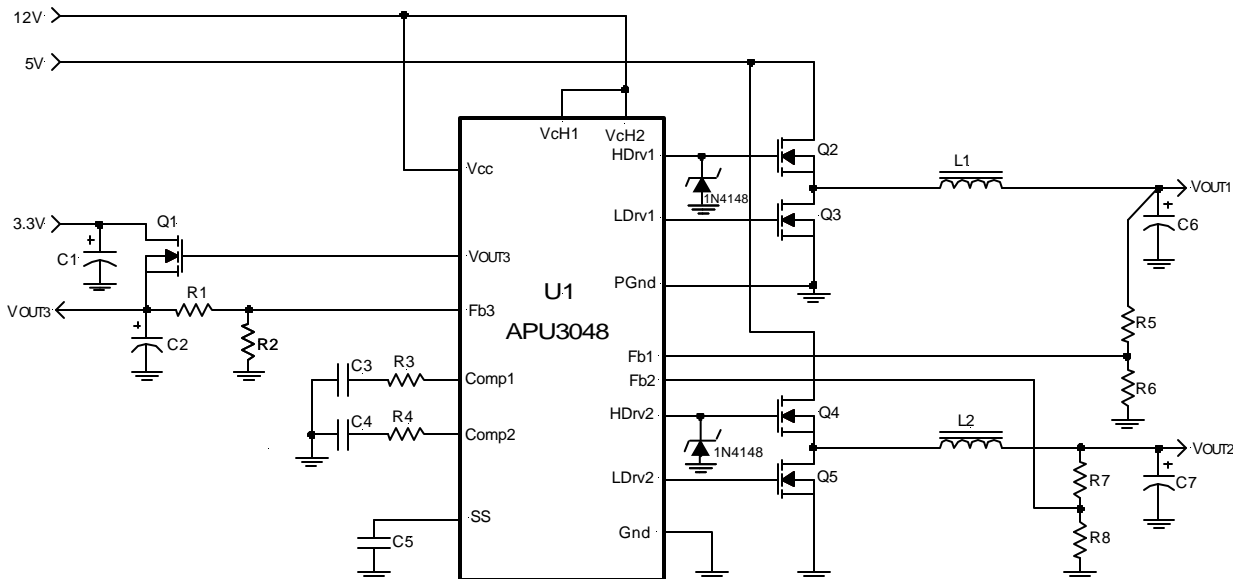


Figure 1 - Typical application of APU3048 configured as 2-independent converter.

PACKAGE ORDER INFORMATION

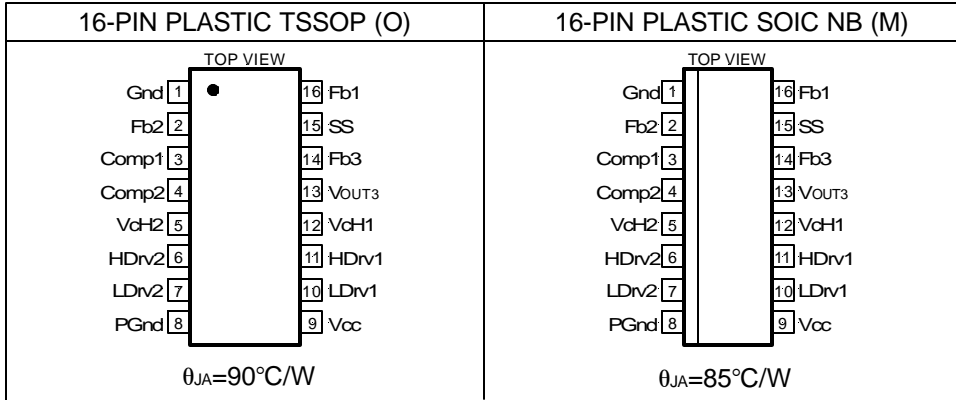
| T _A (°C) | DEVICE | PACKAGE |
|---------------------|----------|----------------|
| 0 To 70 | APU3048O | 16-Pin TSSOP |
| 0 To 70 | APU3048M | 16-Pin SOIC NB |



ABSOLUTE MAXIMUM RATINGS

| | |
|--|------------------------------------|
| Vcc Supply Voltage | 25V |
| VcH1=VcH2 Supply Voltage | 30V (not rated for inductive load) |
| Storage Temperature Range | -65°C To 150°C |
| Operating Junction Temperature Range | 0°C To 125°C |

PACKAGE INFORMATION



ELECTRICAL SPECIFICATIONS

Unless otherwise specified, these specifications apply over Vcc=5V, VcH1=VcH2=12V, TA=0 to 70°C. Typical values refer to TA=25°C. Low duty cycle pulse testing is used which keeps junction and case temperatures equal to the ambient temperature.

| PARAMETER | SYM | TEST CONDITION | MIN | TYP | MAX | UNITS |
|-----------------------------|----------------------|-------------------------------------|-------|-------|-------|-------|
| Reference Voltage | | | | | | |
| Fb Voltage | V _{FB} | | 1.225 | 1.250 | 1.275 | V |
| Fb Voltage Line Regulation | L _{REG} | 5<Vcc<12 | | 0.2 | | % |
| UVLO | | | | | | |
| UVLO Threshold - Vcc | UVLO _{Vcc} | Supply Ramping Up | | 4.2 | | V |
| UVLO Hysteresis - Vcc | | | | 0.25 | | V |
| UVLO Threshold - VcH1 | UVLO _{VcH1} | Supply Ramping Up | | 3.5 | | V |
| UVLO Hysteresis - VcH1 | | | | 0.2 | | V |
| UVLO Threshold - VcH2 | UVLO _{VcH2} | Supply Ramping Up | | 3.5 | | V |
| UVLO Hysteresis - VcH2 | | | | 0.2 | | V |
| UVLO Threshold - Fb | UVLO _{Fb} | Fb Ramping Down | | 0.6 | | V |
| UVLO Hysteresis - Fb | | | | 0.1 | | V |
| Supply Current | | | | | | |
| Vcc Dynamic Supply Current | Dyn I _{cc} | Freq=200KHz, C _L =1500pF | | 5 | | mA |
| VcH1 Dynamic Supply Current | Dyn I _{cH1} | Freq=200KHz, C _L =1500pF | | 7 | | mA |
| VcH2 Dynamic Supply Current | Dyn I _{cH2} | Freq=200KHz, C _L =1500pF | | 7 | | mA |
| Vcc Static Supply Current | I _{ccQ} | SS=0V | | 3.5 | | mA |
| VcH1 Static Supply Current | I _{cH1Q} | SS=0V | | 2 | | mA |
| VcH2 Static Supply Current | I _{cH2Q} | SS=0V | | 2 | | mA |
| Soft-Start Section | | | | | | |
| Charge Current | SS _{IB} | SS=0V | 15 | 25 | 30 | μA |



| PARAMETER | SYM | TEST CONDITION | MIN | TYP | MAX | UNITS |
|-------------------------------|------------------------|------------------------|-------|------|-------|-----------------|
| Error Amp | | | | | | |
| Fb Voltage Input Bias Current | I _{FB1} | SS=3V | | -0.1 | | μA |
| Fb Voltage Input Bias Current | I _{FB2} | SS=0V | | -64 | | μA |
| Transconductance 1 | g _{m1} | | | 400 | | μmho |
| Transconductance 2 | g _{m2} | | | 600 | | μmho |
| Oscillator | | | | | | |
| Frequency | Freq | | 180 | 200 | 220 | KHz |
| Ramp Amplitude | V _{RAMP} | | | 1.25 | | V _{PP} |
| Output Drivers | | | | | | |
| Rise Time | T _r | C _L =1500pF | | 35 | 100 | ns |
| Fall Time | T _f | C _L =1500pF | | 50 | 100 | ns |
| Dead Band Time | T _{DB} | | 50 | 150 | 250 | ns |
| Max Duty Cycle | T _{ON} | Fb=1V, Freq=200KHz | 85 | 90 | | % |
| Min Duty Cycle | T _{OFF} | Fb=1.5V | 0 | 0 | | % |
| LDO Controller | | | | | | |
| Drive Current | I _{LDO} | | 30 | 45 | | mA |
| Fb Voltage | V _{FB} LDO | | 1.225 | 1.25 | 1.275 | V |
| Input Bias Current | I _{LDO(BIAS)} | | | 0.5 | 2 | μA |

PIN DESCRIPTIONS

| PIN# | PIN SYMBOL | PIN DESCRIPTION |
|---------|-------------------|--|
| 1 | Gnd | Ground pin. |
| 2 16 | Fb2 Fb1 | Inverting inputs to the error amplifiers. These pins work as feedback inputs for each channel, and are connected directly to the output of the switching regulator via a resistor divider to set the output voltages. |
| 3 4 | Comp1 Comp2 | Compensation pins for the error amplifiers. |
| 5 12 | VcH2 VcH1 | Supply voltage for the high side output drivers. These are connected to voltages that must be at least 4V higher than their bus voltages (assuming 5V threshold MOSFET). A minimum of 1μF high frequency capacitor must be connected from these pins to PGnd pin to provide peak drive current capability. |
| 6 11 | HDrv2 HDrv1 | Output driver for the high side power MOSFET. Connect a diode, such as BAT54 or 1N4148, from these pins to ground for the application when the inductor current goes negative (Source/Sink), soft-start at no load and for the fast load transient from full load to no load. |
| 7 10 | LDrv2 LDrv1 | Output driver for the synchronous power MOSFET. |
| 8 | PGnd | This pin serves as the separate ground for MOSFET's driver and should be connected to the system's ground plane. |
| 9 | Vcc | Supply voltage for the internal blocks of the IC. |
| 13 | V _{OUT3} | Driver signal for the LDO's external transistor. |
| 14 | Fb3 | LDO's feedback pin, connected to a resistor divider to set the output voltage of LDO. |
| 15 | SS | Soft-Start pin. The converter can be shutdown by pulling this pin below 0.5V. |



THEORY OF OPERATION

Introduction

The APU3048 is designed for multi-outputs applications. It includes two synchronous buck controllers and a linear regulator controller. The two synchronous controller operates with fixed frequency voltage mode and is configured as two independent controllers. The timing of the IC is provided through an internal oscillator circuit. These are two out of phase oscillators.

Soft-Start

The APU3048 has a programmable soft start to control the output voltage rise and limit the current surge at the start-up. To ensure correct start-up, the soft-start sequence initiates when the Vcc, Vch1 and Vch2 rise above their threshold and generates the Power On Reset (POR) signal. Soft-start function operates by sourcing an internal current to charge an external capacitor to about 3V. Initially, the soft-start function clamps the E/A's output of the PWM converter. As the charging voltage of the external capacitor ramps up, the PWM signals increase from zero to the point the feedback loop takes control.

Out of Phase Operation

The APU3048 drives its two output stages 180° out of

phase. In application with single input voltage, the out of phase operation reduces the input ripple current. This results in much smaller RMS current in the input capacitor and reduction of input capacitors.

Shutdown

The converter can be shutdown by pulling the soft-start pin below 0.5V. This can be easily done by using an external small signal transistor. During shutdown the MOSFET drivers and the LDO controller turn off.

Short-Circuit Protection

The outputs are protected against the short circuit. The APU3048 protects the circuit for shorted output by sensing the output voltages. The APU3048 shuts down the PWM signals and LDO controller, when the output voltages drops below the set values.

Under-Voltage Lockout

The under-voltage lockout circuit assures that the MOSFET driver outputs and LDO controller remain in the off state whenever the supply voltages drop below set parameters. Normal operation resumes once the supply voltages rise above the set values.

APPLICATION INFORMATION

Design Example:

The following example is a typical application for APU3048 in current sharing mode. The schematic is Figure 9 on page 12.

| <u>For Switcher</u> | <u>For Linear Regulator</u> |
|--------------------------|-----------------------------|
| V _{IN1} = 12V | V _{IN3} = 3.3V |
| V _{OUT1} = 3.3V | V _{OUT3} = 2.5V |
| I _{OUT1} = 4A | I _{OUT3} = 2A |
| V _{IN2} = 5V | |
| V _{OUT2} = 1.8V | |
| I _{OUT2} = 4A | |
| ΔV _{OUT} = 75mV | |
| f _s = 200KHz | |

PWM Section

Output Voltage Programming

Output voltage is programmed by reference voltage and external voltage divider. The Fb1 pin is the inverting input of the error amplifier, which is internally referenced to 1.25V. The divider is ratioed to provide 1.25V at the Fb1 pin when the output is at its desired value. The output voltage is defined by using the following equation:

$$V_{OUT1} = V_{REF} \times \left(1 + \frac{R_6}{R_8}\right) \quad \text{---(1)}$$

When an external resistor divider is connected to the output as shown in Figure 3.

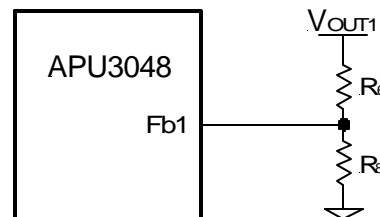


Figure 3 - Typical application of the APU3048 for programming the output voltage.

Equation (1) can be rewritten as:

$$R_6 = R_8 \times \left(\frac{V_{OUT1}}{V_{REF}} - 1\right)$$

Will result to:

| | |
|---|--|
| V _{OUT1} =3.3V | V _{OUT2} =1.8V |
| V _{REF} =1.25V | V _{REF} =1.25V |
| R ₈ =1K, R ₆ =1.64K | R ₁₅ =1K, R ₁₄ =442Ω |



If the high value feedback resistors are used, the input bias current of the Fb pin could cause a slight increase in output voltage. The output voltage set point can be more accurate by using precision resistor.

Soft-Start Programming

The soft-start timing can be programmed by selecting the soft start capacitance value. The start up time of the converter can be calculated by using:

$$t_{START} = 75 \times C_{SS} \quad (\text{ms}) \quad \text{---(2)}$$

Where:

C_{SS} is the soft-start capacitor (μF)

For a start-up time of 7.5ms, the soft-start capacitor will be 0.1 μF . Choose a ceramic capacitor at 0.1 μF .

Boost Supply Vc

To drive the high-side switch it is necessary to supply a gate voltage at least 4V greater than the bus voltage. This is achieved by using a charge pump configuration as shown in Figure 9. The capacitor is charged up to approximately twice the bus voltage. A capacitor in the range of 0.1 μF to 1 μF is generally adequate for most applications.

Input Capacitor selection

The input filter capacitor should be based on how much ripple the supply can tolerate on the DC input line. The ripple current generated during the on time of control MOSFET should be provided by input capacitor. The RMS value of this ripple is expressed by:

$$I_{RMS} = I_{OUT} \sqrt{D \times (1-D)} \quad \text{---(3)}$$

Where:

D is the Duty Cycle, simply $D = V_{OUT}/V_{IN}$.

I_{RMS} is the RMS value of the input capacitor current.

I_{OUT} is the output current for each channel.

For $V_{IN1}=12\text{V}$, $I_{OUT1}=4\text{A}$ and $D1=0.275$

Results to: $I_{RMS1}=1.78\text{A}$

And for $V_{IN2}=5\text{V}$, $I_{OUT2}=4\text{A}$ and $D2=0.36$

Results to: $I_{RMS2}=1.92\text{A}$

For higher efficiency, a low ESR capacitor is recommended.

For $V_{IN1}=12\text{V}$, choose one Poscap from Sanyo 16TPB47M (16V, 47 μF , 70m Ω , 1.4A)

For $V_{IN2}=5\text{V}$, choose one 6TPC150M (6.3V, 150 μF , 40m Ω , 1.9A).

Output Capacitor Selection

The criteria to select the output capacitor is normally based on the value of the Effective Series Resistance (ESR). In general, the output capacitor must have low enough ESR to meet output ripple and load transient requirements, yet have high enough ESR to satisfy stability requirements. The ESR of the output capacitor is calculated by the following relationship:

$$ESR \leq \frac{\Delta V_o}{\Delta I_o} \quad \text{---(4)}$$

Where:

ΔV_o = Output Voltage Ripple

ΔI_o = Output Current

$\Delta V_o=75\text{mV}$ and $\Delta I_o=3\text{A}$, results to: $ESR=25\text{m}\Omega$

The Sanyo TPC series, PosCap capacitor is a good choice. The 6TPC150M 150 μF , 6.3V has an ESR 40m Ω . Selecting two of these capacitors in parallel for each output, results to an ESR of $\approx 20\text{m}\Omega$ which achieves our low ESR goal.

The capacitor value must be high enough to absorb the inductor's ripple current. The larger the value of capacitor, the lower will be the output ripple voltage.

The resulting output ripple current is smaller than each channel ripple current due to the 180° phase shift. These currents cancel each other. The cancellation is not the maximum because of the different duty cycle for each channel.

Inductor Selection

The inductor is selected based on output power, operating frequency and efficiency requirements. Low inductor value causes large ripple current, resulting in the smaller size, but poor efficiency and high output noise. Generally, the selection of inductor value can be reduced to desired maximum ripple current in the inductor (Δi); the optimum point is usually found between 20% and 50% ripple of the output current.

For the buck converter, the inductor value for desired operating ripple current can be determined using the following relation:

$$V_{IN} - V_{OUT} = L \times \frac{\Delta i}{\Delta t} ; \Delta t = D \times \frac{1}{f_s} ; D = \frac{V_{OUT}}{V_{IN}}$$

$$L = (V_{IN} - V_{OUT}) \times \frac{V_{OUT}}{V_{IN} \times \Delta i \times f_s} \quad \text{---(5)}$$

Where:

V_{IN} = Max Input Voltage

Δt = Turn On Time

V_{OUT} = Output Voltage

D = Duty Cycle

Δi = Inductor Ripple Current

f_s = Switching Frequency



For $\Delta i_1=25\%$ of I_1 , we get $L_1=9.9\mu\text{H}$
 For $\Delta i_2=25\%$ of I_2 , we get: $L_2=5.7\mu\text{H}$

Panasonic provides a range of inductors in different values and low profile for large currents.

For L_1 choose ETQP6F102HFA (10.2 μH , 4A)
 For L_2 choose ELLATV6R8M (6.8 μH , 4A)

Power MOSFET Selection

The selections criteria to meet power transfer requirements is based on maximum drain-source voltage (V_{DS}), gate-source drive voltage (V_{GS}), maximum output current, On-resistance $R_{DS(ON)}$ and thermal management.

The MOSFET must have a maximum operating voltage (V_{DSS}) exceeding the maximum input voltage (V_{IN}).

The gate drive requirement is almost the same for both MOSFETs. Caution should be taken with devices at very low V_{GS} to prevent undesired turn-on of the complementary MOSFET, which results a shoot-through current.

The total power dissipation for MOSFETs includes conduction and switching losses. For the Buck converter the average inductor current is equal to the DC load current. The conduction loss is defined as:

$$P_{COND(Upper\ Switch)} = I_{LOAD} \times R_{DS(ON)} \times D \times \vartheta$$

$$P_{COND(Lower\ Switch)} = I_{LOAD} \times R_{DS(ON)} \times (1 - D) \times \vartheta$$

$\vartheta = R_{DS(ON)}$ Temperature Dependency

The total conduction loss is defined as:

$$P_{CON(TOTAL)} = P_{CON(Upper\ Switch)} \vartheta + P_{CON(Lower\ Switch)} \vartheta$$

The $R_{DS(ON)}$ temperature dependency should be considered for the worst case operation. This is typically given in the MOSFET data sheet. Ensure that the conduction losses and switching losses do not exceed the package ratings or violate the overall thermal budget.

For this design, AP9408AGH is a good choice. These devices provide low on-resistance in a compact TO-252 3Pin package.

The MOSFETs have the following data:

AP9408AGH
 $V_{DSS} = 30\text{V}$
 $I_D = 33\text{A} @ 100^\circ\text{C}$
 $R_{DS(ON)} = 10\text{m}\Omega @ V_{GS}=10\text{V}$
 $\vartheta = 1.5$ for 150°C (Junction Temperature)

The total conduction losses for channel 1 is:

$$P_{CON1} = 0.24\text{W}$$

The total conduction losses for channel 2 is:

$$P_{CON2} = 0.24\text{W}$$

The control MOSFET contributes to the majority of the switching losses in synchronous Buck converter. The synchronous MOSFET turns on under zero-voltage condition, therefore the turn on losses for synchronous MOSFET can be neglected. With a linear approximation, the total switching loss can be expressed as:

$$P_{SW} = \frac{V_{DS(OFF)}}{2} \times \frac{t_r + t_f}{T} \times I_{LOAD} \quad \text{---(6)}$$

Where:

$V_{DS(OFF)}$ = Drain to Source Voltage at off time

t_r = Rise Time

t_f = Fall Time

T = Switching Period

I_{LOAD} = Load Current

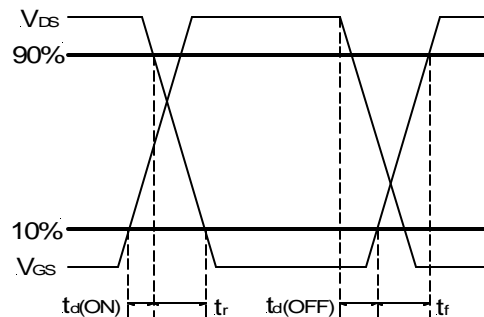


Figure 4 - Switching time waveforms.

From AP9408AGH data sheet we obtain:

AP9408AGH

$t_r = 5\text{ns}$

$t_f = 6\text{ns}$

These values are taken under a certain condition test. For more detail please refer to the AP9408AGH data sheet.

By using equation (6), we can calculate the switching losses.

$$P_{SW1} = 52.8\text{mW}$$

$$P_{SW2} = 22\text{mW}$$



Feedback Compensation

The APU3048 is a voltage mode controller; the control loop is a single voltage feedback path including error amplifier and error comparator. To achieve fast transient response and accurate output regulation, a compensation circuit is necessary. The goal of the compensation network is to provide a closed loop transfer function with the highest 0dB crossing frequency and adequate phase margin (greater than 45°).

The output LC filter introduces a double pole, -40dB/decade gain slope above its corner resonant frequency, and a total phase lag of 180° (see Figure 5). The Resonant frequency of the LC filter is expressed as follows:

$$F_{LC} = \frac{1}{2\pi\sqrt{L_o \times C_o}} \quad \text{---(7)}$$

Figure 5 shows gain and phase of the LC filter. Since we already have 180° phase shift just from the output filter, the system risks being unstable.

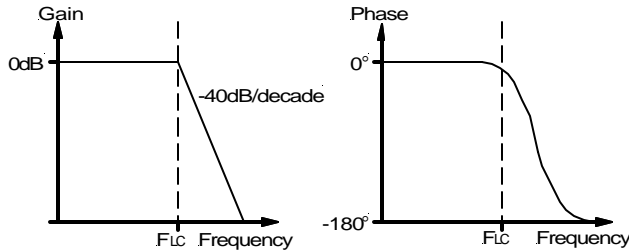


Figure 5 - Gain and phase of LC filter.

The APU3048's error amplifier is a differential-input transconductance amplifier. The output is available for DC gain control or AC phase compensation.

The E/A can be compensated with or without the use of local feedback. When operated without local feedback the transconductance properties of the E/A become evident and can be used to cancel one of the output filter poles. This will be accomplished with a series RC circuit from Comp1 pin to ground as shown in Figure 6.

The ESR zero of the LC filter expressed as follows:

$$F_{ESR} = \frac{1}{2\pi \times ESR \times C_o} \quad \text{---(8)}$$

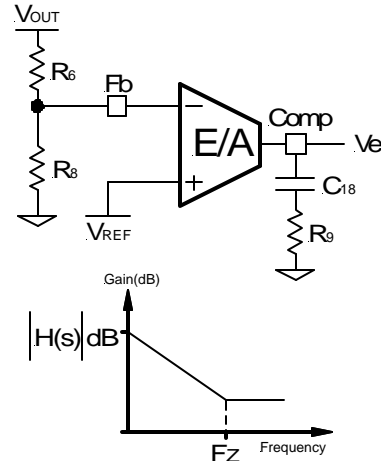


Figure 6 - Compensation network without local feedback and its asymptotic gain plot.

The transfer function (Ve / V_{OUT}) is given by:

$$H(s) = \left(g_m \times \frac{R_8}{R_6 + R_8} \right) \times \frac{1 + sR_9C_{18}}{sC_{18}} \quad \text{---(9)}$$

The (s) indicates that the transfer function varies as a function of frequency. This configuration introduces a gain and zero, expressed by:

$$|H(s)| = g_m \times \frac{R_8}{R_6 \times R_8} \times R_9 \quad \text{---(10)}$$

$$F_Z = \frac{1}{2\pi \times R_9 \times C_{18}} \quad \text{---(11)}$$

The gain is determined by the voltage divider and E/A's transconductance gain.

First select the desired zero-crossover frequency (F₀):

$$F_{01} > F_{ESR} \text{ and } F_{01} \leq (1/5 \sim 1/10) \times f_s$$

Use the following equation to calculate R₄:

$$R_9 = \frac{V_{OSC}}{V_{IN1}} \times \frac{F_{01} \times F_{ESR1}}{F_{LC1}^2} \times \frac{R_8 + R_6}{R_8} \times \frac{1}{g_m} \quad \text{---(12)}$$

Where:

V_{IN1} = Maximum Input Voltage

V_{OSC} = Oscillator Ramp Voltage

F₀₁ = Crossover Frequency for the master E/A

F_{ESR1} = Zero Frequency of the Output Capacitor

F_{LC1} = Resonant Frequency of Output Filter

g_m = Error Amplifier Transconductance

R₈ and R₆ = Resistor Dividers for Output Voltage Programming



For:

- $V_{IN1} = 12V$
- $V_{OSC} = 1.25V$
- $F_{O1} = 30KHz$
- $F_{ESR1} = 26.5KHz$
- $F_{LC1} = 2.8KHz$
- $R_8 = 1K$
- $R_6 = 1.64K$
- $g_m = 600\mu mho$

This results to $R_9=46.4K\Omega$; Choose $R_9=46.4K\Omega$

To cancel one of the LC filter poles, place the zero before the LC filter resonant frequency pole:

$$F_z \cong 75\%F_{LC1}$$

$$F_z \cong 0.75 \times \frac{1}{2\pi\sqrt{L_3 \times C_0}} \quad \text{---(13)}$$

For:

- $L_3 = 10.2\mu H$
- $C_0 = 300\mu F$
- $F_z = 2.1KHz$
- $R_9 = 46.4K\Omega$

Using equations (11) and (13) to calculate C_9 , we get:

$$C_9 = 1630pF; \text{ Choose } C_9 = 1800pF$$

Using equations (11),(12) and (13) for Ch2, where:

- $V_{IN2} = 5V$
- $V_{OSC} = 1.25V$
- $F_{O2} = 30KHz$
- $F_{ESR2} = 26.5KHz$
- $F_{LC2} = 3.5KHz$
- $R_{15} = 1K$
- $R_{14} = 442\Omega$
- $g_m = 600\mu mho$

We get:

$$R_{11} = 38.9K\Omega; \text{ Choose } R_{11} = 39.2K\Omega$$

$$C_{19} = 1554pF; \text{ Choose } C_{19} = 1800pF$$

One more capacitor is sometimes added in parallel with C_9 and R_4 . This introduces one more pole which is mainly used to suppress the switching noise. The additional pole is given by:

$$F_P = \frac{1}{2\pi \times R_9 \times \frac{C_{18} \times C_{POLE}}{C_{18} + C_{POLE}}}$$

The pole sets to one half of switching frequency which results in the capacitor C_{POLE} :

$$C_{POLE} = \frac{1}{\pi \times R_9 \times f_s - \frac{1}{C_{18}}} \cong \frac{1}{\pi \times R_9 \times f_s}$$

$$\text{For } F_P \ll \frac{f_s}{2}$$

For a general solution for unconditionally stability for any type of output capacitors, in a wide range of ESR values we should implement local feedback with a compensation network. The typically used compensation network for voltage-mode controller is shown in Figure 7.

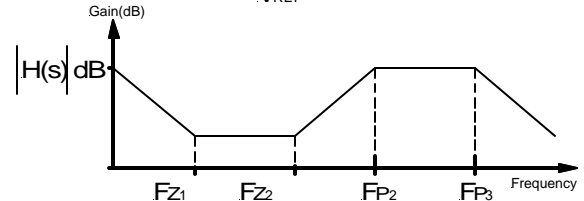
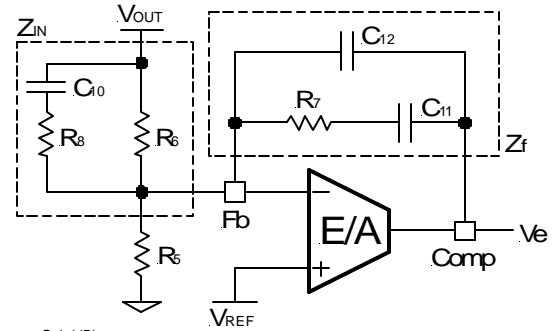


Figure 7 - Compensation network with local feedback and its asymptotic gain plot.

In such configuration, the transfer function is given by:

$$\frac{V_e}{V_{OUT}} = \frac{1 - g_m Z_f}{1 + g_m Z_{IN}}$$

The error amplifier gain is independent of the transconductance under the following condition:

$$g_m Z_f \gg 1 \quad \text{and} \quad g_m Z_{IN} \gg 1 \quad \text{---(14)}$$

By replacing Z_{IN} and Z_f according to figure 7, the transfer function can be expressed as:

$$H(s) = \frac{1}{sR_6(C_{12}+C_{11})} \times \frac{(1+sR_7C_{11}) \times [1+sC_{10}(R_6+R_8)]}{\left[1+sR_7 \left(\frac{C_{12}C_{11}}{C_{12}+C_{11}}\right)\right] \times (1+sR_8C_{10})}$$

As known, transconductance amplifier has high impedance (current source) output, therefore, consider should be taken when loading the E/A output. It may exceed its source/sink output current capability, so that the amplifier will not be able to swing its output voltage over the necessary range.

The compensation network has three poles and two zeros and they are expressed as follows:

$$F_{P1} = 0 \quad F_{P2} = \frac{1}{2\pi \times R_8 \times C_{10}}$$

$$F_{P3} = \frac{1}{2\pi \times R_7 \times \left(\frac{C_{12} \times C_{11}}{C_{12}+C_{11}}\right)} \cong \frac{1}{2\pi \times R_7 \times C_{12}}$$

$$F_{Z1} = \frac{1}{2\pi \times R_7 \times C_{11}}$$

$$F_{Z2} = \frac{1}{2\pi \times C_{10} \times (R_6 + R_8)} \cong \frac{1}{2\pi \times C_{10} \times R_6}$$



Cross Over Frequency:

$$F_{O1} = R_7 \times C_{10} \times \frac{V_{IN}}{V_{OSC}} \times \frac{1}{2\pi \times L_O \times C_O} \quad \text{---(15)}$$

Where:

V_{IN} = Maximum Input Voltage

V_{OSC} = Oscillator Ramp Voltage

L_O = Output Inductor

C_O = Total Output Capacitors

The stability requirement will be satisfied by placing the poles and zeros of the compensation network according to following design rules. The consideration has been taken to satisfy condition 14 regarding transconductance error amplifier.

- 1) Select the crossover frequency:

$$F_O < F_{ESR} \text{ and } F_O \leq (1/10 \sim 1/6) \times f_s$$

- 2) Select R_7 , so that $R_7 \gg \frac{2}{g_m}$

- 3) Place first zero before LC's resonant frequency pole.

$$F_{Z1} \cong 75\% F_{LC}$$

$$C_{11} = \frac{1}{2\pi \times F_{Z1} \times R_7}$$

- 4) Place third pole at the half of the switching frequency.

$$F_{P3} = \frac{f_s}{2}$$

$$C_{12} = \frac{1}{2\pi \times R_7 \times F_{P3}}$$

$$C_{12} > 50\text{pF}$$

If not, change R_7 selection.

- 5) Place R_7 in (15) and calculate C_{10} :

$$C_{10} \leq \frac{2\pi \times L_O \times F_O \times C_O}{R_7} \times \frac{V_{OSC}}{V_{IN}}$$

- 6) Place second pole at ESR zero.

$$F_{P2} = F_{ESR}$$

$$R_8 = \frac{1}{2\pi \times C_{10} \times F_{P2}}$$

$$\text{Check if } R_8 > \frac{1}{g_m}$$

If R_8 is too small, increase R_7 and start from step 2.

- 7) Place second zero around the resonant frequency.

$$F_{Z2} = F_{LC}$$

$$R_6 = \frac{1}{2\pi \times C_{10} \times F_{Z2}} - R_8$$

- 8) Use equation (1) to calculate R_5 :

$$R_5 = \frac{V_{REF}}{V_{OUT} - V_{REF}} \times R_6$$

These design rules will give a crossover frequency approximately one-tenth of the switching frequency. The higher the band width, the potentially faster the load transient speed. The gain margin will be large enough to provide high DC-regulation accuracy (typically -5dB to -12dB). The phase margin should be greater than 45° for overall stability.

LDO Section

Output Voltage Programming

Output voltage for LDO is programmed by reference voltage and external voltage divider. The Fb3 pin is the inverting input of the error amplifier, which is internally referenced to 1.25V. The divider is ratioed to provide 1.25V at the Fb3 pin when the output is at its desired value. The output voltage is defined by using the following equation:

$$V_{OUT2} = V_{REF} \times \left(1 + \frac{R_{HIGH}}{R_{LOW}}\right)$$

For:

$$V_{OUT2} = 2.5V$$

$$V_{REF} = 1.25V$$

$$R_{LOW} = 1K$$

$$\text{Results to: } R_{HIGH} = 1K$$

LDO Power MOSFET Selection

The first step in selecting the power MOSFET for the linear regulator is to select the maximum $R_{DS(ON)}$ based on the input to the dropout voltage and the maximum load current.

$$R_{DS(ON)} = \frac{V_{IN3} - V_{OUT2}}{I_{OUT2}}$$

For:

$$V_{IN3} = 3.3V$$

$$V_{OUT2} = 2.5V$$

$$I_{OUT2} = 2A$$

$$\text{Results to: } R_{DS(ON)(MAX)} = 0.4\Omega$$

Note that since the MOSFET $R_{DS(ON)}$ increases with temperature, this number must be divided by ~1.5 in order to find the $R_{DS(ON)(MAX)}$ at room temperature. The AP20T03GH has a maximum of 0.05Ω $R_{DS(ON)}$ at room temperature, which meets our requirements.



Layout Consideration

The layout is very important when designing high frequency switching converters. Layout will affect noise pickup and can cause a good design to perform with less than expected results.

Start to place the power components, make all the connection in the top layer with wide, copper filled areas. The inductor, output capacitor and the MOSFET should be close to each other as possible. This helps to reduce the EMI radiated by the power traces due to the high switching currents through them. Place input capacitor

directly to the drain of the high-side MOSFET, to reduce the ESR replace the single input capacitor with two parallel units. The feedback part of the system should be kept away from the inductor and other noise sources, and be placed close to the IC. In multilayer PCB use one layer as power ground plane and have a control circuit ground (analog ground), to which all signals are referenced. The goal is to localize the high current path to a separate loop that does not interfere with the more sensitive analog control function. These two grounds must be connected together on the PC board layout at a single point.

TYPICAL APPLICATION

- 12V to 3.3V @ 4A
- 12V to 1.8V @ 4A
- 3.3V to 2.5V @ 2A

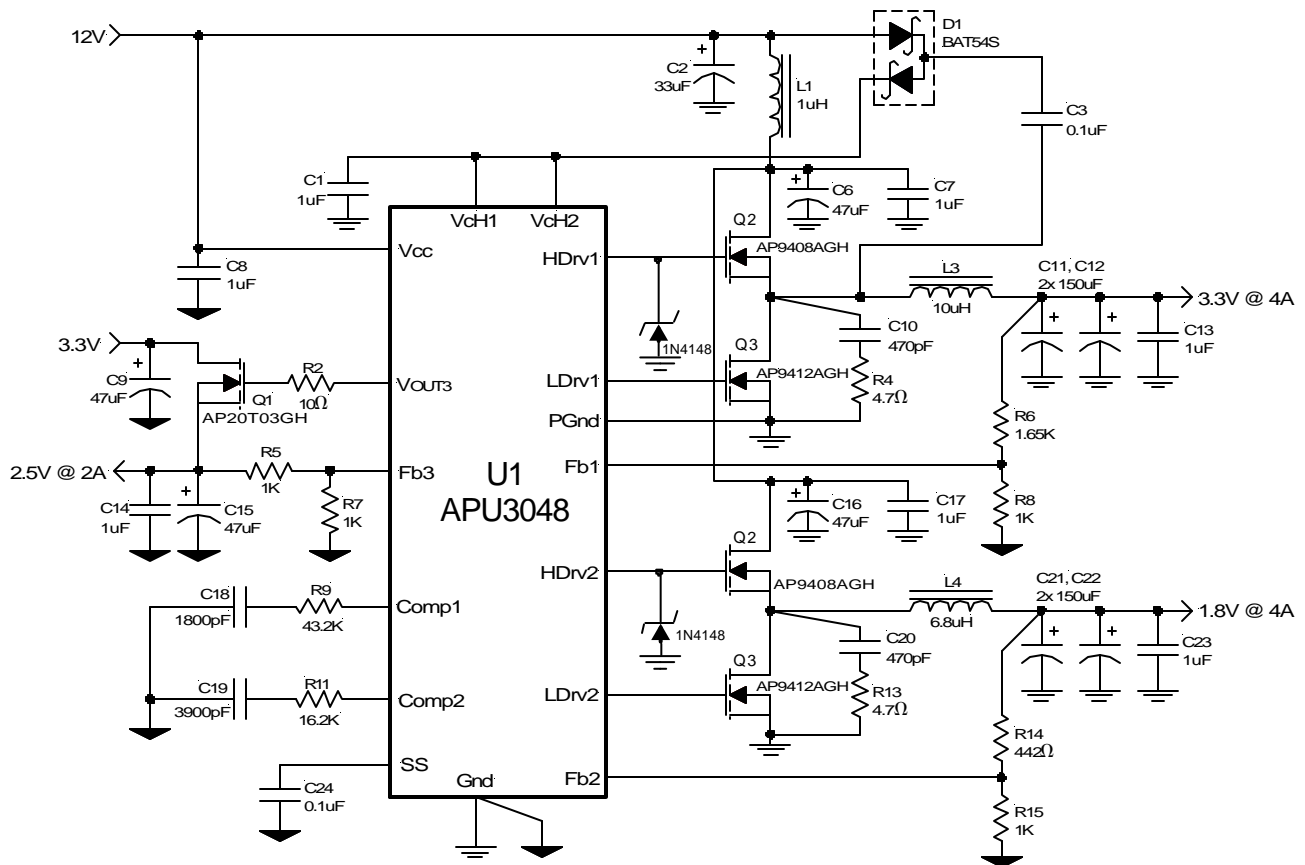


Figure 8 - Typical application of APU3048 in an on-board DC-DC converter using a single 12V supply for switcher.



DEMO-BOARD APPLICATION

12V to 3.3V @ 4A
5V to 1.8V @ 4A
3.3V to 2.5V @ 2A

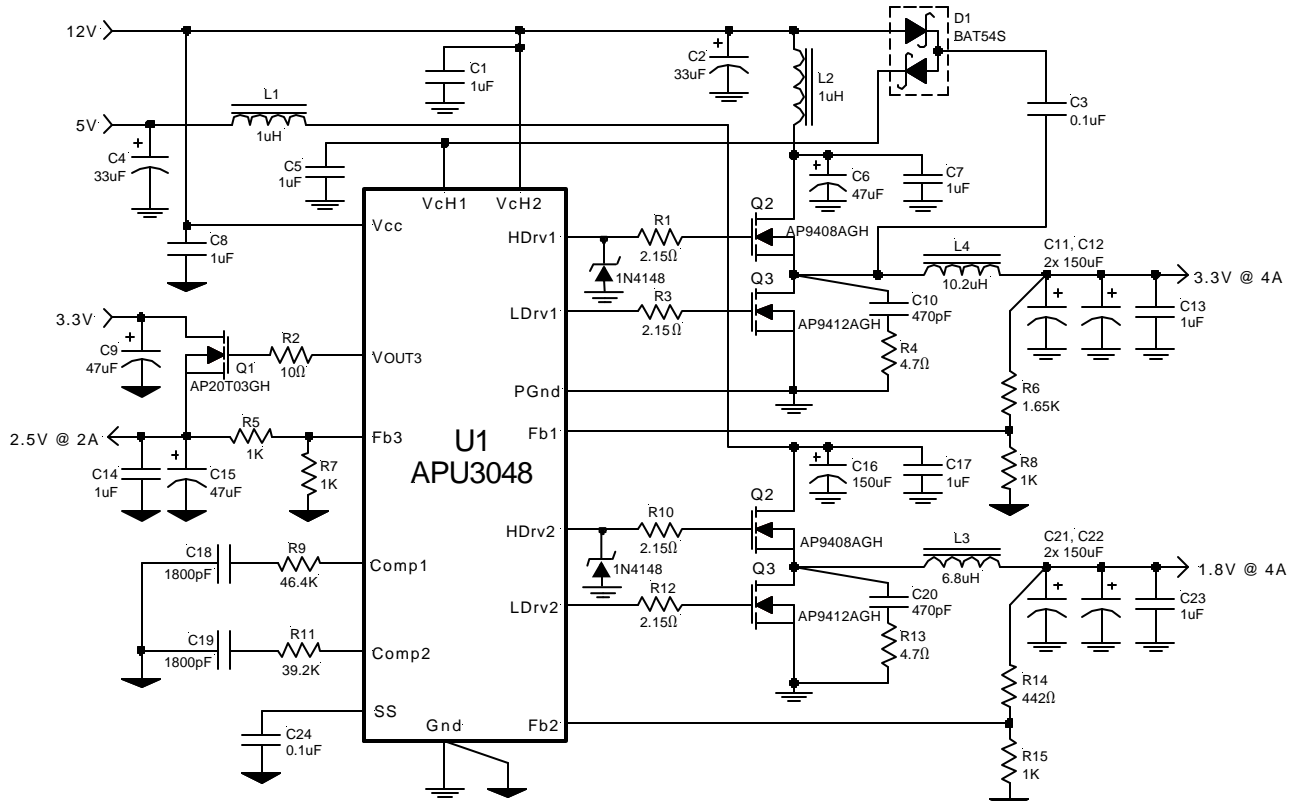


Figure 9 - Demo-board application of APU3048.



DEMO-BOARD APPLICATION

12V to 3.3V @ 4A

5V to 1.8V @ 4A

3.3V to 2.5V @ 2A

| Ref Desig | Description | Value | Qty | Part# | Manuf | Web site (www.) |
|------------------------|---------------|---------------------------------|-----|---------------|-----------|----------------------|
| Q1 | MOSFET | 30V, 50mohm, 1.5A | 1 | AP20T03GH | APEC | a-power.com.tw |
| Q2 | MOSFET | 30V, 10mohm, 53A | 2 | AP9408AGH | APEC | |
| Q3 | MOSFET | 30V, 6mohm, 68A | 2 | AP9412AGH | APEC | |
| U1 | Controller | Synchronous PWM | 1 | APU3048 | APEC | |
| D1 | Diode | Fast Switching | 1 | BAT54S | IR | |
| L1, L2 | Inductor | 1 μ H, 2.9A | 2 | ELL6SH1R0M | Panasonic | maco.panasonic.co.jp |
| L3 | Inductor | 6.8 μ H, 4A | 1 | ELLATV6R8M | Panasonic | |
| L4 | Inductor | 10.2 μ H, 4A | 1 | ETQP6F102HFA | Panasonic | |
| C1,7,8,13, 14,17,23 | Cap, Ceramic | 1 μ F, Y5V, 16V | 7 | ECJ-2VF1C105Z | Panasonic | |
| C2, C4 | Cap, Tantalum | 33 μ F, 16V | 2 | ECS-T1CD336R | Panasonic | |
| C3, C24 | Cap, Ceramic | 0.1 μ F, Y5V, 25V | 2 | ECJ-2VF1E104Z | Panasonic | |
| C5 | Cap, Ceramic | 1 μ F, X7R, 25V | 1 | ECJ-3YB1E105K | Panasonic | |
| C9, C15 | Cap, Tantalum | 47 μ F, 10V | 2 | ECS-T1AD476R | Panasonic | |
| C10, C20 | Cap, Ceramic | 470pF, X7R, 50V | 2 | ECJ-2VC1H471J | Panasonic | |
| C18, C19 | Cap, Ceramic | 1800pF, X7R, 50V | 2 | ECJ-2VB1H182K | Panasonic | |
| C6 | Cap, Poscap | 47 μ F, 16V, 70m Ω | 1 | 16TPB47M | Sanyo | sanyo.com/industrial |
| C11,12,16 21,22 | Cap, Poscap | 150 μ F, 6.3V, 40m Ω | 5 | 6TPC150M | Sanyo | |
| R1,3,10,12 | Resistor | 2.15 Ω | 4 | | | |
| R2 | Resistor | 10 Ω | 1 | | | |
| R4, R13 | Resistor | 4.7 Ω | 2 | | | |
| R5,7,8,15 | Resistor | 1K, 1% | 4 | | | |
| R6 | Resistor | 1.65K, 1% | 1 | | | |
| R9 | Resistor | 46.4K | 1 | | | |
| R11 | Resistor | 39.2K | 1 | | | |
| R14 | Resistor | 442 Ω , 1% | 1 | | | |



WAVEFORMS

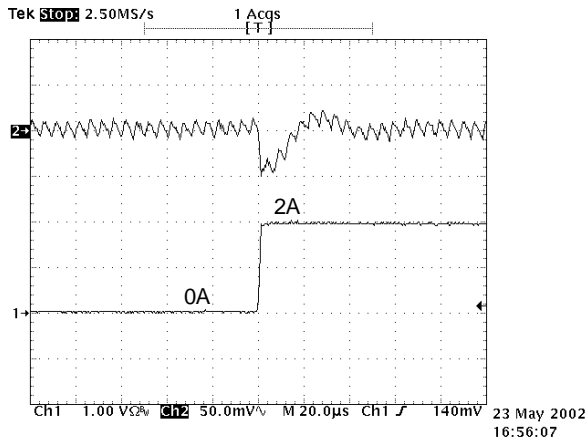


Figure 4 - Transient response @ $I_{OUT} = 0$ to 2A for 3.3V output.

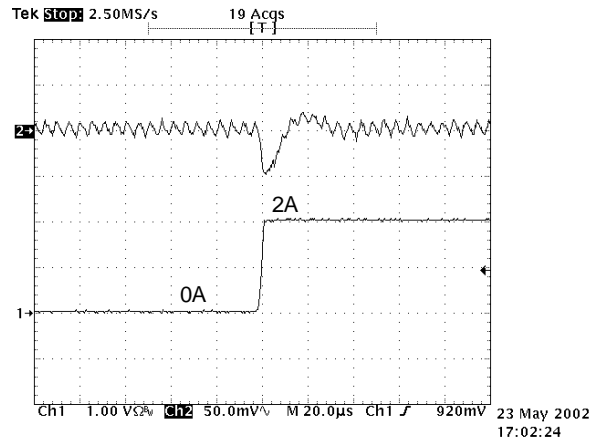


Figure 5 - Transient response @ $I_{OUT} = 0$ to 2A for 1.8V output.

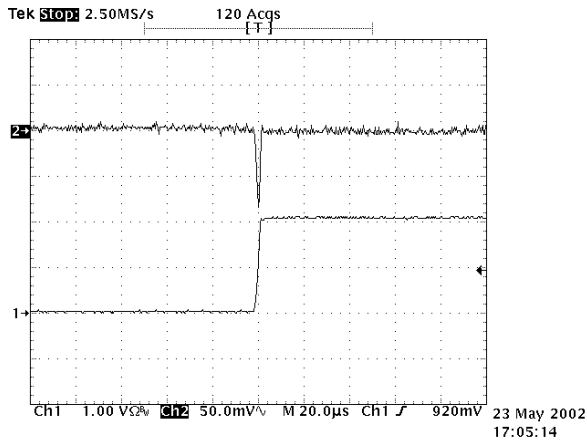


Figure 6 - Transient response @ $I_{OUT} = 0$ to 2A for 2.5V output.

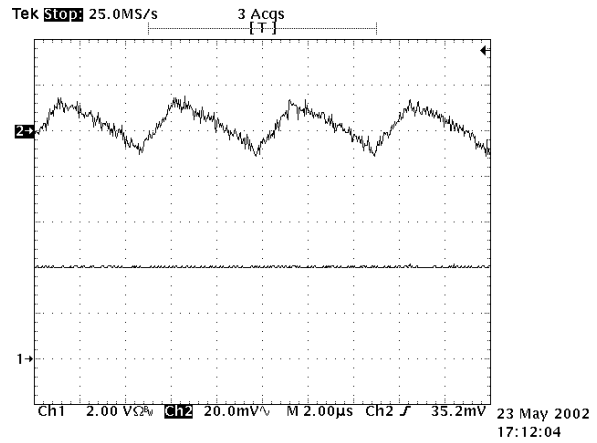


Figure 7 - Output voltage ripple for 3.3V @ 4A.



WAVEFORMS

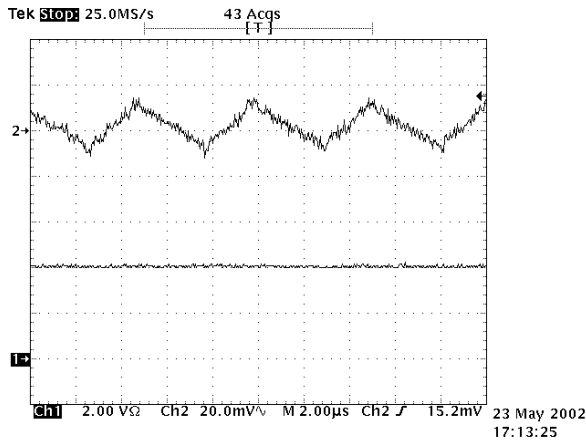


Figure 8 - Output voltage ripple for 1.8V @ 4A.

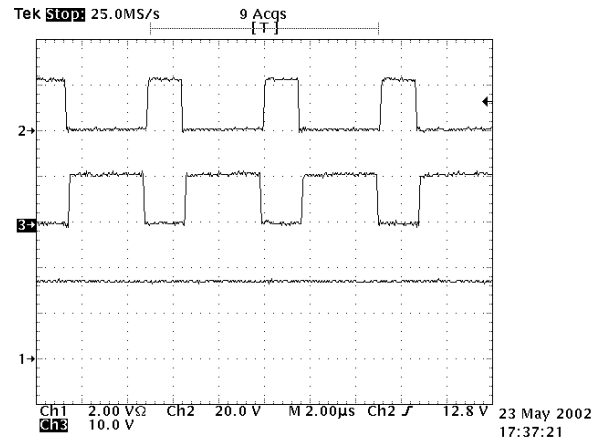


Figure 9 - Gate signals for 3.3V output.
 Ch1: Output current 2A/div.
 Ch2: Gate signal for control FET 20V/div.
 Ch3: Gate signal for sync FET 10V/div.

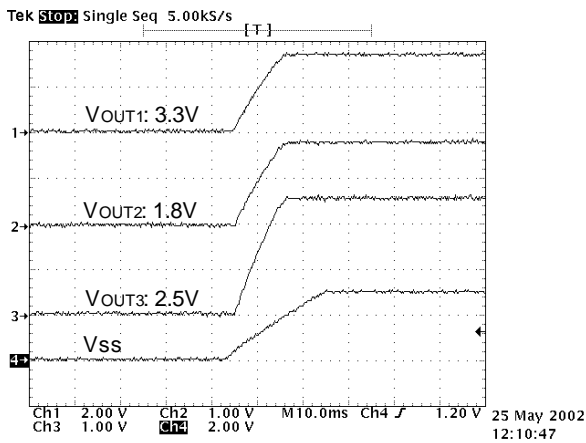


Figure 10 - Soft-start voltage Vs. output voltages.

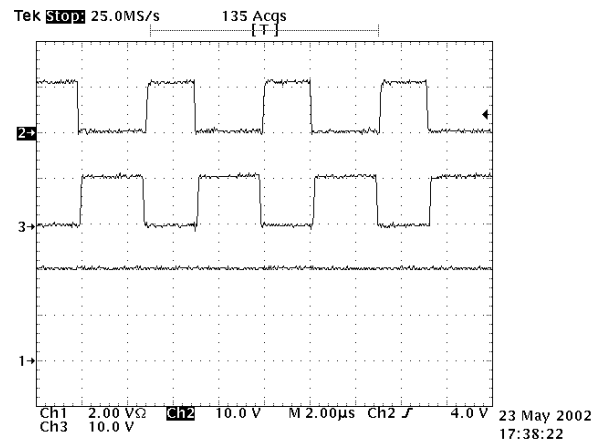
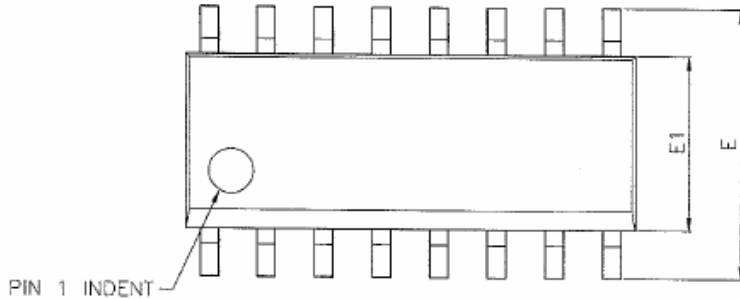


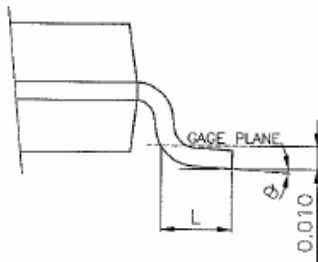
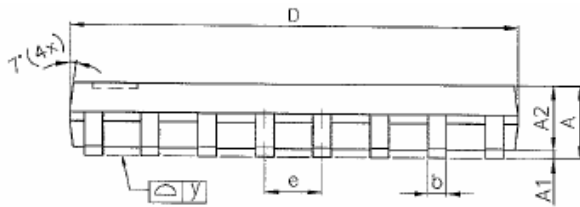
Figure 11 - Gate signals for 1.8V output.
 Ch1: Output current 2A/div.
 Ch2: Gate signal for control FET 10V/div.
 Ch3: Gate signal for sync FET 10V/div.



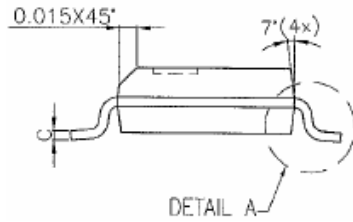
Package Outline : SOP-16



PIN 1 INDENT



DETAIL A

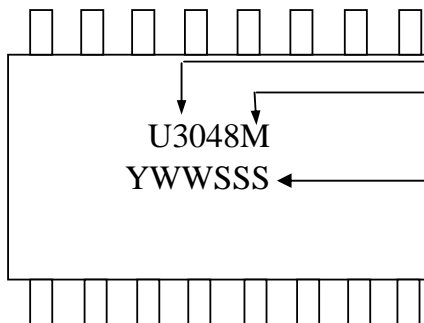


| SYMBOLS | Millimeters | | |
|----------|-------------|------|-------|
| | MIN | NOM | MAX |
| A | 1.47 | 1.60 | 1.73 |
| A1 | 0.10 | — | 0.25 |
| A2 | — | 1.45 | — |
| b | 0.33 | 0.41 | 0.51 |
| C | 0.19 | 0.20 | 0.25 |
| D | 9.80 | 9.91 | 10.01 |
| E | 5.79 | 5.99 | 6.20 |
| E1 | 3.81 | 3.91 | 3.99 |
| e | — | 1.27 | — |
| L | 0.38 | 0.71 | 1.27 |
| y | — | — | 0.08 |
| θ | 0° | — | 8° |

1.All Dimensions Are in Millimeters.

2.Dimension Does Not Include Mold Protrusions.

Part Marking Information & Packing : SOP-16



Part Number

Package Code

U3048M

YWWSSS

Date Code (YWWSSS)

Y : Last Digit Of The Year

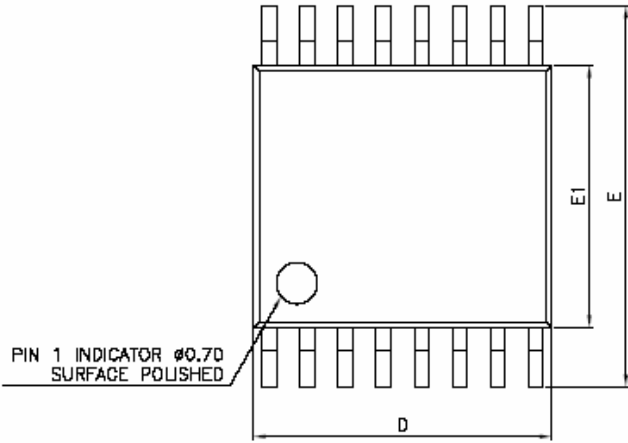
WW : Week

SSS : Sequence

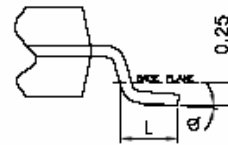
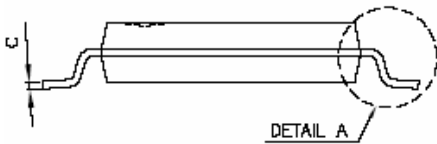
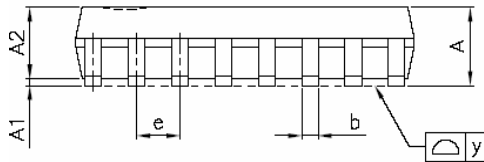


ADVANCED POWER ELECTRONICS CORP.

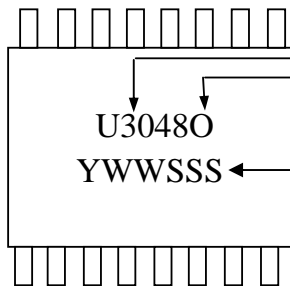
Package Outline : TSSOP-16



| SYMBOLS | Millimeters | | |
|----------|-------------|------|------|
| | MIN | NOM | MAX |
| A | 1.05 | 1.10 | 1.20 |
| A1 | 0.05 | 0.10 | 0.15 |
| A2 | — | 1.00 | 1.05 |
| b | 0.20 | 0.25 | 0.28 |
| C | — | 0.13 | — |
| D | 4.90 | 5.08 | 5.10 |
| E | 6.20 | 6.40 | 6.60 |
| E1 | 4.30 | 4.40 | 4.50 |
| e | — | 0.65 | — |
| L | 0.50 | 0.60 | 0.70 |
| y | — | — | 0.08 |
| θ | 0° | 4° | 8° |



Part Marking Information & Packing : TSSOP-16



Part Number Package Code

Date Code (YWWSSS)

Y : Last Digit Of The Year

WW : Week

SSS : Sequence