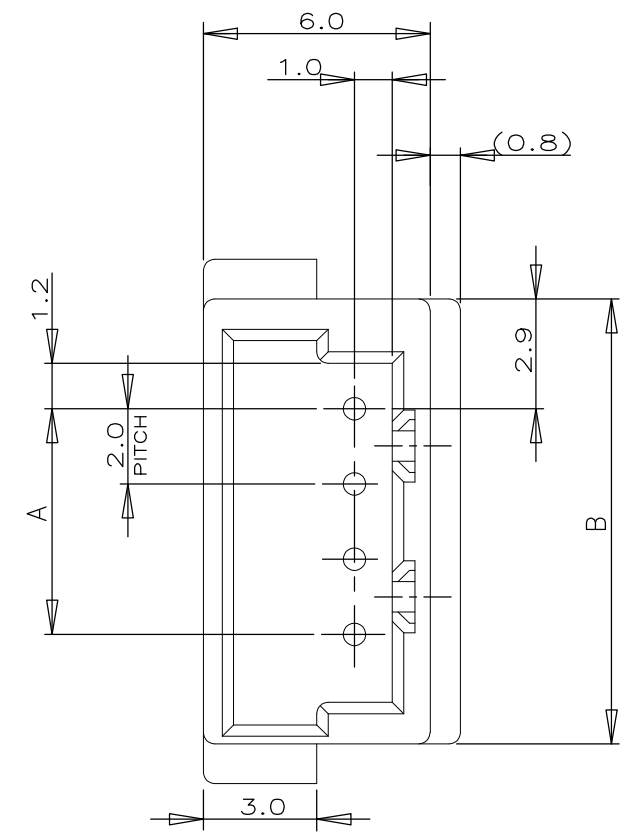
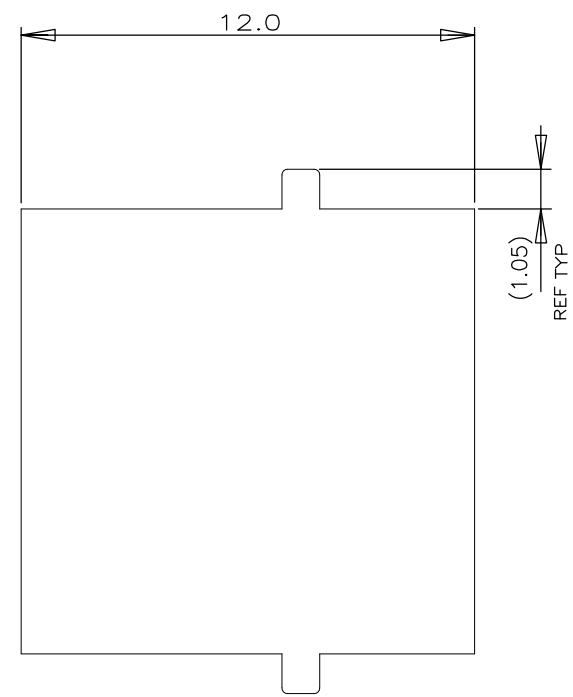
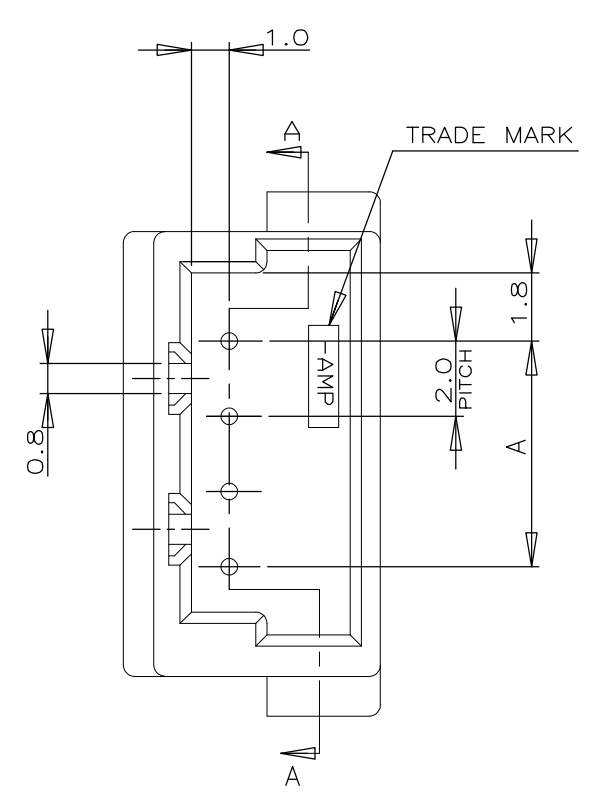
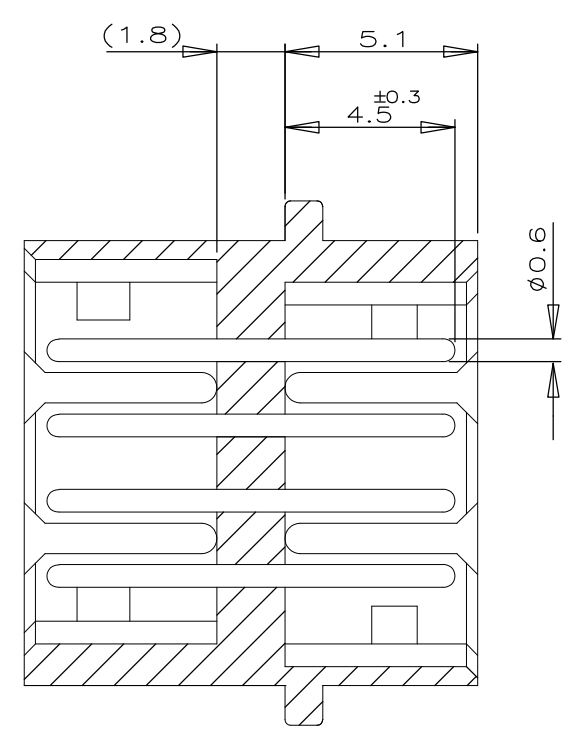
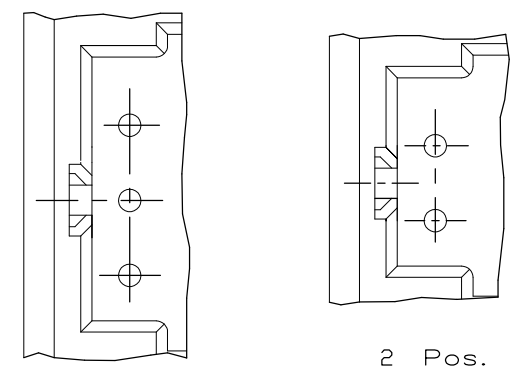


THIS DRAWING IS UNPUBLISHED. RELEASED FOR PUBLICATION  
 © COPYRIGHT - By - ALL RIGHTS RESERVED.

LOC	DIST	REVISIONS					
FB	00	P	LTR	DESCRIPTION	DATE	DWN	APVD
		P		REVISED PER ECO-11-005033	28MAR11	RK	HMR



NOTES;  
 ▲ .MATERIAL:HOUSING - 66 NYLON (UL94V-0)  
 POST - TIN BRASS



6-▲-6	4-▲-6	2-▲-6	▲-6	6	15.8	10.0
6-▲-5	4-▲-5	2-▲-5	▲-5	5	13.8	8.0
6-▲-4	4-▲-4	2-▲-4	▲-4	4	11.8	6.0
6-▲-3	4-▲-3	2-▲-3	▲-3	3	9.8	4.0
6-292156-2	4-292156-2	2-292156-2	292156-2	2	7.8	2.0
BLACK	YELLOW	BLUE	NATURAL	Pos.	B	A

SECT. A-A

TOLERANCES UNLESS OTHERWISE SPECIFIED:  
 10>\* : ±0.2  
 30>\* >10 : ±0.25  
 100>\* >30 : ±0.3  
 ANGEL : ±3°

THIS DRAWING IS A CONTROLLED DOCUMENT.

DWN S.XU	31JAN03	 TE Connectivity	NAME FREE HANGING TYPE RELAY POST HEADER ASS'Y (AMP CT CONN. 2mm PITCH)		
CHK S.YAO	31JAN03				
APVD T.SASAKI	31JAN03				
PRODUCT SPEC					
DIMENSIONS: mm		SIZE	CAGE CODE	DRAWING NO	RESTRICTED TO
TOLERANCES UNLESS OTHERWISE SPECIFIED: 0 PLC ± - 1 PLC ± - 2 PLC ± - 3 PLC ± - 4 PLC ± - ANGLES ± - FINISH		WEIGHT	A300779 C-292156		
MATERIAL ▲		CUSTOMER DRAWING		SCALE 5:1	SHEET 1 OF 1