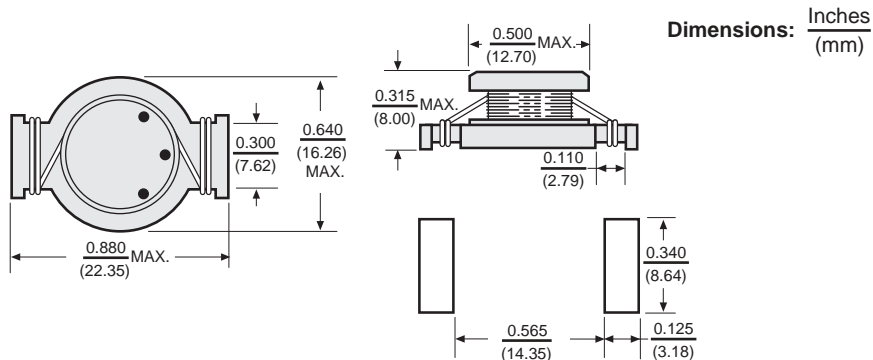


PCHC60 Power Chip High Current Inductors



* Notice of marking change see "Marking" below.

Features

- Designed for high current, low voltage DC to DC converter applications
- Current ratings up to 15Arms and saturation current up to 30A
- Extremely low DCR
- Provided in tape and reel packaging for pick and place assembly

Electrical

Inductance Range: .78 μ h to 15 μ h.

Tolerance: \pm 20% over the entire inductance range.

Test Frequency: Inductance measured at 100KHz, 0.1 Vrms.

Operating Temp. Range: -40° to +85°C.

Inductance Drop: 10% typically at the rated Isat.

Temperature Rise: $\Delta T=40^{\circ}\text{C}$ rise typical at Irms.

Physical

Marking: Notice: We will be changing our marking system to the 4 character EIA code for inductance and tolerance. For example: "101K" for 100 μ h 10%.

Packaging: 250 pieces per 13 inch reel.

Allied Part Number	Inductance (μ h)	Tolerance (%)	SRF Reference (MHz)	DCR Max. (m Ω)	Isat (A)	Irms (A)
PCHC60-R78M-RC	.78	20	156	2.6	30	15
PCHC60-1R5M-RC	1.5	20	100	4.0	25	15
PCHC60-2R2M-RC	2.2	20	75	6.1	20	12
PCHC60-3R3M-RC	3.3	20	60	8.6	17	10
PCHC60-3R9M-RC	3.9	20	55	10	15	9.0
PCHC60-4R7M-RC	4.7	20	40	14	13	8.4
PCHC60-6R0M-RC	6.0	20	35	17	12	7.5
PCHC60-7R8M-RC	7.8	20	35	18	11	7.5
PCHC60-100M-RC	10	20	28	26	10	6.0
PCHC60-150M-RC	15	20	20	32	8	4.4

All specifications subject to change without notice.