

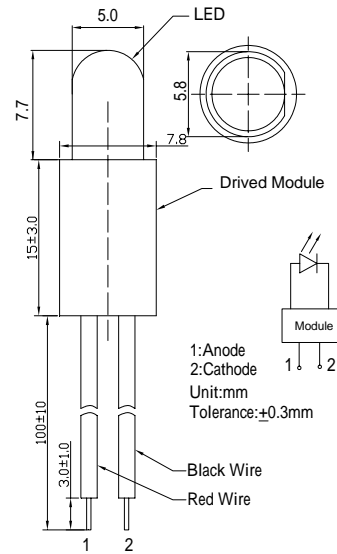
Features

- High Luminous LEDs
- 5mm Round Standard Directivity
- Superior Weather-resistance
- UV Resistant Epoxy
- 24V DC LED
- Water Clear Type

Applications

- Electronic Signs And Signals
- Other Lighting

Outline Dimension

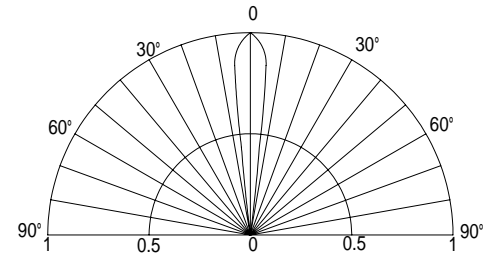


Absolute Maximum Rating

(Ta=25)

Item	Symbol	Value	Unit
DC Voltage	V _f	28	V
DC Current	I _f	8	mA
Power Dissipation	P _D	224	mW
Operating Temperature	T _{opr}	-30 ~ +85	
Storage Temperature	T _{stg}	-30 ~ +85	
Lead Soldering Temperature	T _{sol}	260 /5sec	-

Directivity



Electrical -Optical Characteristics (Ta=25)

Part Number	Color		I(mA)			I _v (mcd)*			λD(nm)*			2θ1/2(deg)
			Min	Typ.	Max.	Min.	Typ.	Max.	Min.	Typ.	Max.	Typ.
			V _f =24V			V _f =24V			V _f =24V			
OSW5DK5111A-KKW	Cool White	W	6	7	8	10000	12000	14400	X=0.27, Y=0.28			15
OSM5DK5111A-KKW	Warm White	M	6	7	8	8400	10000	12000	X=0.45, Y=0.41			15
OSB5SA5111A-KKW	Blue	B	6	7	8	3000	4200	5800	465	470	475	15
OSG5DA5111A-KKW	Pure Green	G	6	7	8	12000	14400	18000	520	525	530	15
OSG8JA5111A-KKW	Yellow Green	YG	6	7	8	330	500	750	565	570	575	15
OSY5JA5111A-KKW	Yellow	Y	6	7	8	1120	1560	2180	585	590	595	15
OSO5JA5111A-KKW	Orange	O	6	7	8	1560	2180	3000	600	605	610	15
OSR5JA5111A-KKW	Red	R	6	7	8	1120	1560	2180	620	625	630	15

*1 Tolerance of chromaticity coordinates is ±10%, Tolerance of λD is ±1nm.

*2 Tolerance of luminous intensity is ±15%