

TABLE 1

LEAD STYLE	TERMINAL SPEC.	"B" MAX	"C"
-01	T-1M6-14-X-2	.330 [8.38]	.180 [4.57]
-53	T-1M6-03-X-2	.385 [9.78]	.235 [5.97]
-54	T-1M6-19-X-2	.435 [11.05]	.285 [7.24]
-55	T-1M6-05-X-2	.490 [12.45]	.340 [8.63]
-56	T-1M6-15-X-2	.505 [12.83]	.355 [9.01]
-57	T-1M6-15-X-2	.530 [13.46]	.380 [9.65]
-58	T-1M6-16-X-2	.585 [14.86]	.435 [11.05]
-59	T-1M6-16-X-2	.615 [15.62]	.465 [12.32]

HDWM-XX-XX-X-X-XXX-SM-XXX

BODY LENGTH SPEC
EXPRESSED IN # POS PER ROW
(-01 THRU -50)
"XX" = No. OF POS x .050

LEAD STYLE
SEE TABLE 1

OPTION
-POLARIZING SPECIFICATION
XXX INDICATES POSITION TO BE OMITTED
-A: STAKED ALIGNMENT PIN (SEE SHT 2, FIG 2)
(6 POS MIN, BODY SPEC -D ONLY, USE SM-A8)
-LC: STAKED LOCKING CLIP (SEE SHT 2, FIG 3)
(5 POS MIN, BODY SPEC -D ONLY, USE LC-05-T)
-P: PICK & PLACE PAD (SEE SHT. 2, FIG. 4)
(.100 MIN POST HEIGHT)

OPTION
-SM: SURFACE MOUNT
BOARD SPACE
"XXX" = "B" SEE TABLE 1

BODY SPECIFICATION
-S: SINGLE (USE HTMS-XX-S)
-D: DOUBLE (USE HTMS-XX-D)

PLATING SPECIFICATION
-G: GOLD, SPECIFY -G IN TERMINAL SUFFIX -X (SEE NOTE 5)
-T: TIN, SPECIFY -T IN TERMINAL SUFFIX -X
-S: SELECTIVE, SPECIFY -S IN TERMINAL SUFFIX -X (SEE NOTE 5)

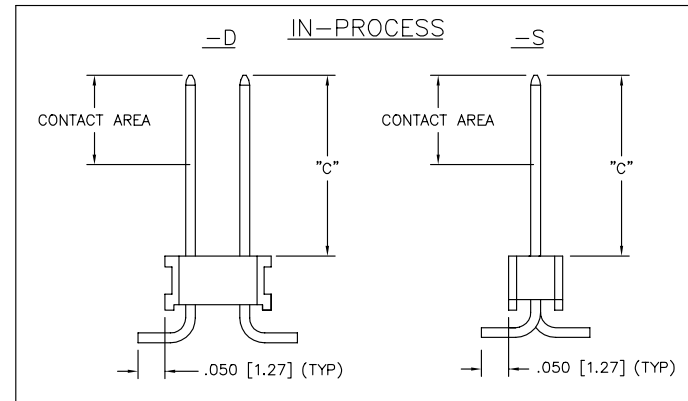
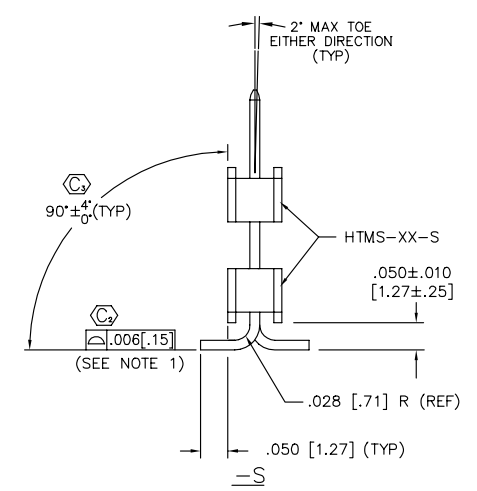
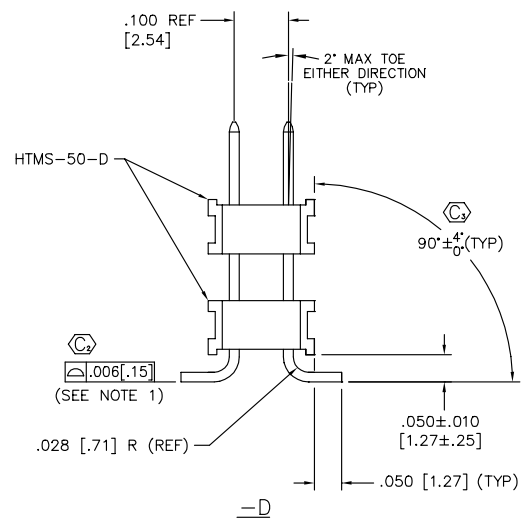


TABLE 2

BODY SPEC.	PACKAGING TUBE (SEE NOTE 7)	PLUG
-S: SINGLE	PT-1-24-01-46	TP-24
-D: DOUBLE	PT-1-24-03-44	TP-03
-01-D-SM: DOUBLE	PT-1-24-04-15	TP-03
-53-D-SM: DOUBLE	PT-1-24-03-15	TP-03
ALL -P	PT-1-24-05-44	TP-03

- NOTES:
1. COPLANARITY OF LEADS TO BE: .006
 2. HEIGHT VARIATION BETWEEN ANY TWO PINS SHALL BE .010 MAX.
 3. TERMINAL PUSHOUT FORCE: 2 lbs. MIN.
 4. Ⓞ REPRESENTS A CRITICAL DIMENSION FOR STATISTICAL PROCESS CONTROL USE.
 5. FOR -S & -G PLATING, GOLD WILL BE ON CONTACT AREA.
 6. TUBE POSITIONS -07 THRU -50 ONLY; POSITIONS -01 THRU -06 TO BE LAYER PACKAGED.
 7. CUT FLASH: .010 MAX
 8. .003 MAX BURR

PROPRIETARY NOTE
THIS DOCUMENT CONTAINS INFORMATION CONFIDENTIAL AND PROPRIETARY TO SAMTEC INC. AND SHALL NOT BE REPRODUCED OR TRANSMITTED IN ANY FORM OR BY ANY MEANS, ELECTRONIC OR MECHANICAL, INCLUDING PHOTOCOPYING, RECORDING, OR BY ANY INFORMATION STORAGE AND RETRIEVAL SYSTEM, WITHOUT THE EXPRESS WRITTEN CONSENT OF SAMTEC INC.

MATERIAL:
INSULATOR:
MATERIAL: VECTRA E1301
COLOR: BLACK
TERMINAL:
MATERIAL:
510 PHOSPHOR 3/4 HARD
BRONZE,
TENSILE RANGE 96 - 115 KSI.

PLOT SCALE: 1=15

samtec

520 PARK EAST BLVD. NEW ALBANY, INDIANA 47150
PHONE (812) 944-6733 P.O. BOX 1147
CODE 55322

MADE BY: BRYANT 7-9-92

MISC MKTG
HDWMSMK1

HDWM-XX-XX-X-X-XXX-SM-XXX
SHEET 1 OF 2