

PLEASE CHECK WWW.MOLEX.COM FOR LATEST PART INFORMATION

Part Number: [0887388100](#)
Status: **Active**
Overview: [usb](#)
Description: Universal Serial Bus (USB) Shielded I/O Cable Assembly: A-to-Pigtail Sub-Channel, 1.31m (4.30') Length

Documents:

[3D Model](#) [RoHS Certificate of Compliance \(PDF\)](#)
[Drawing \(PDF\)](#)

General

Product Family	Cable Assemblies
Series	88740
Comments	Sub-Channel
Connector to Connector	USB Type A-to-Pigtail
Overview	usb
Product Name	USB

Physical

Cable Length	1.31m (4.30')
Circuits (Loaded)	4
Gender	Male
Lock to Mating Part	Yes
Packaging Type	Bag
Pitch - Mating Interface (in)	0.079 In, 0.098 In
Pitch - Mating Interface (mm)	2.00 mm, 2.50 mm
Single Ended	Yes
Wire Insulation Diameter	N/A
Wire Size AWG	N/A
Wire/Cable Type	N/A

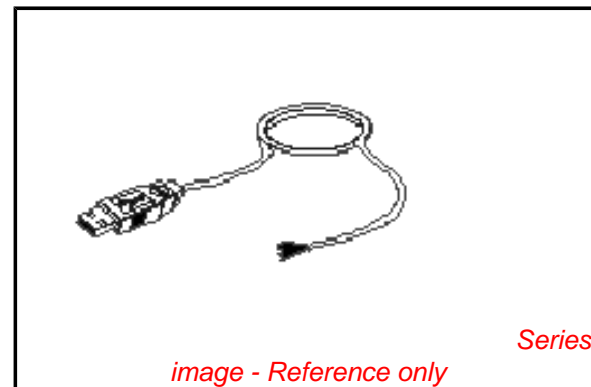
Electrical

Current - Maximum per Contact	1A
Shielded	Yes

Material Info

Reference - Drawing Numbers

Sales Drawing	SD-88738-001
---------------	--------------



EU RoHS

**ELV and RoHS
Compliant**
REACH SVHC
 Not Reviewed
**Halogen-Free
Status**

China RoHS



Not Reviewed

**Need more information on product
environmental compliance?**

Email productcompliance@molex.com
 For a multiple part number RoHS Certificate of Compliance, [click here](#)

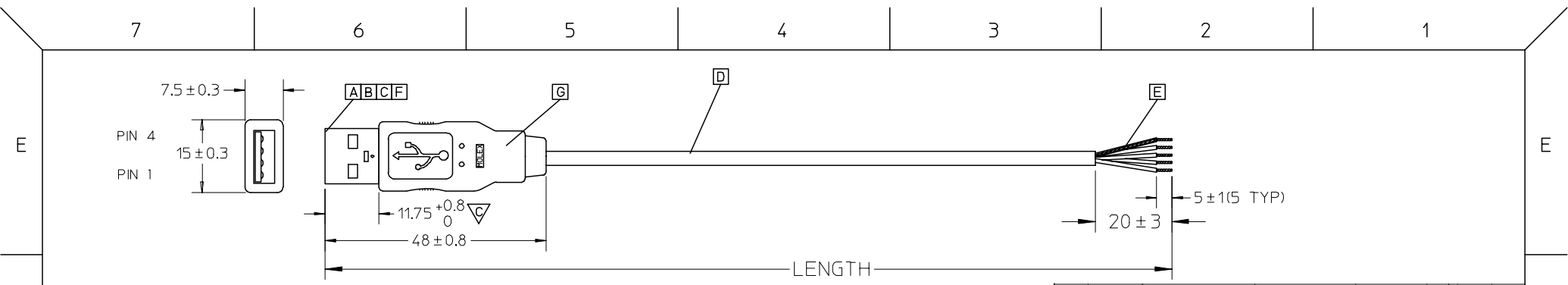
Please visit the [Contact Us](#) section for any non-product compliance questions.

Search Parts in this Series

[88740Series](#)

Mates With

Universal Serial Bus (USB) Type A Receptacle [67329](#) , [67230](#) , [89485](#)



887283600	USB 28#/20#	5000+0/-80	887808202	887800043	
887283500	USB 28#/22#	3330+0/-50	887808203	887800043	
887283400	USB 28#/24#	2080+0/-40	887808238	887800043	
887283200	USB 28#/28#	810+0/-30	887808205	887800043	
887283300	USB 28#26 FROST-WHT LTK	1310+0/-30	887808204	887800043	
887388400	USB 28#20 FROST-WHITE LTK	5000+0/-80	887808195	887800043	
887388300	USB 28#22 FROST-WHT LTK	3330+0/-50	887808196	887800043	
887388200	USB 28#24 FROST-WHT LTK	2080+0/-40	887808197	887800043	
887388100	USB 28#26 FROST-WHT LTK	1310+0/-30	887808198	887800043	
887388000	USB 28#28 FROST-WHT LTK	810+0/-30	887808199	887800043	
887283602	USB 28#/20#	5000+0/-80	887808230	887800019	
887283502	USB 28#/22#	3330+0/-50	887808229	887800019	
887283402	USB 28#/24#	2080+0/-40	887808240	887800019	
887283202	USB 28#/28#	810+30/-0	887808218	887800019	
887283302	USB 28#/26#	1310+0/-30	887808228	887800019	
887388401	USB 28/22'LTK'	5000+0/-80	887808216	887800059	
887388301	USB 28/22 'LTK'	3330+0/-50	887808216	887800059	
887388201	USB 28/26 'LTK'	2080+0/-40	887808215	887800059	
887388101	USB 28/26 'LTK'	1310+0/-30	887808214	887800059	
887388001	USB 28/28 'LTK'	810+0/-30	887808213	887800059	
	MOLEX P/N	DESCRIPTION	LENGTH	CABLE P/N	PVC P/N

NOTE:1
 1.INNER MOLD WITH PE RESIN 887800008.
 OUTER MOLD WITH PVC RESIN P/N:SEE TABLE
 2.ELECTRICAL PERFORMANCE:
 2.1 DIELECTRIC STRENGTH
 2.2 INSULATION RESISTANCE
 2.3 CONDUCTIVE RESISTANCE
 2.4 CABLE IMPEDANCE
 2.5 ATTENUATION
 2.6 PROPAGATION DELAY
 2.7 SIGNAL PAIR SKEW
 REFER TO ES-003 ELECTRICAL SPECIFICATION FOR DETAILS
 3.THIS PRODUCT MUST MEET MX RoHS COMPLIANCE.
 4. TERMINAL APPLICATION:
 20-24AWG USE TERMINAL P/N 887809090
 26-28AWG USE TERMINAL P/N 887809091

SHELL	SHIELDING	BRAID WIRE
4	GROUND	BLACK
3	+DATA	GREEN
2	-DATA	WHITE
1	VCC	RED
CONTACT POSITION	SIGNAL NAME	WIRE COLOR

ITEM	DESCRIPTION	L	QTY.
F	TERMINAL		
E	HST F OD=1.5mm BLK. 887805000	15	1
D	USB CABLE		1
C	REAR SHELL 887809084		1
B	FRONT SHELL 887809083		1
A	CRIMP HOUSING 887809086		1

ENTER DESCRIPTION EC NO: DG2008-0027 DRWN:JFZHENG 2007/10/22 CHKD: 2007/10/24 APPR:BLAU 2007/10/24	QUALITY SYMBOLS ▽=0 ◻=0	GENERAL TOLERANCES (UNLESS SPECIFIED)		DIMENSION STYLE MM ONLY		SCALE ---	DESIGN UNITS METRIC	THIRD ANGLE PROJECTION		
		4 PLACES	±---	±---	DRAWN BY JFZHENG	DATE 2007/07/12	TITLE USB A-PIGTAIL CABLE ASSY			
		3 PLACES	±---	±---	CHECKED BY HXIE	DATE 2007/07/12	APPROVED BY BLAU			
		2 PLACES	±---	±---	APPROVED BY DATE 2007/07/12		MATERIAL NO. SEE TABLE			
1 PLACE	±---	±---	ANGULAR ±---°		DOCUMENT NO. SD-88738-001		SHEET NO. 1 OF 1			
DRAFT WHERE APPLICABLE MUST REMAIN WITHIN DIMENSIONS			THIS DRAWING CONTAINS INFORMATION THAT IS PROPRIETARY TO MOLEX INCORPORATED AND SHOULD NOT BE USED WITHOUT WRITTEN PERMISSION							