

# Dialight

## 609 Series

### LED Panel Mount Indicators for 9mm Mounting Hole



#### FEATURES / BENEFITS

- ▲ Long Life - typically 100K hours
- ▲ Low power consumption - uses up to 90% less energy than an incandescent indicator
- ▲ No heat generated
- ▲ Colors include red, green, and yellow
- ▲ Front panel mounting
- ▲ LED can be recessed or protrude from housing

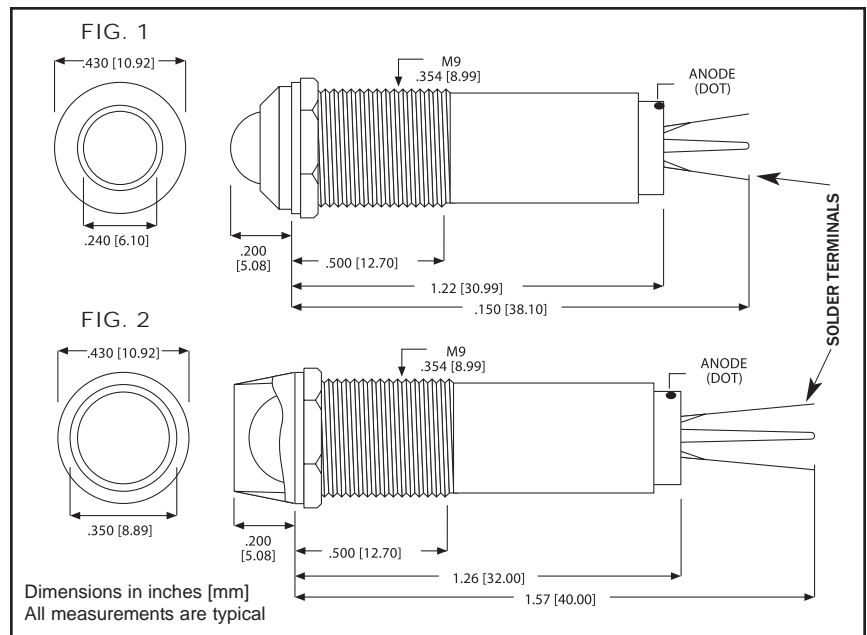
#### APPLICATIONS

Dialight's 600 series of metric indicators are designed for a variety of applications such as:

- Main and remote power indication
- Status Indication
- Maintenance and warning indication
- Instrumentation
- ...and many more!

#### SPECIFICATIONS

- ▲ Voltage requirements: 6, 12 and 24 VDC (no resistor required)
- ▲ Electrical connection through solder terminals
- ▲ Mounting hole size: 0.366 inches [9.3 mm]
- ▲ Maximum panel thickness: 0.295 inches [7.5 mm]
- ▲ Mounts with lock washer and nut (0.362 lbs/ft or 5 Kg/cm torque recommended)
- ▲ Operating Temperature : -25°C to +85°C
- ▲ Storage Temperature: -25°C to +100°C
- ▲ Housing Material: Chrome plated brass or Black painted brass



Dialight reserves the right to make changes at any time in order to supply the best product possible.



#### Dialight Corporation

1501 Route 34 South • Farmingdale, NJ 07727 USA

Tel: (1) 732-919-3119 • Fax: (1) 732-751-5778 • www.dialight.com



MDEL609X001\_B



# 609 Series LED Panel Mount Indicators for 9mm Mounting Hole

Part Number	Color	Voltage (VDC)	Current (mA)	Intensity TYP. (mcd)	LED Positions	Finish	Figure
609-1112-120	Red	6	15	60	Protruding	Chrome	1
609-1122-120	Red	6	15	60	Protruding	Black	1
609-1212-120	Green	6	15	110	Protruding	Chrome	1
609-1222-120	Green	6	15	110	Protruding	Black	1
609-1312-120	Yellow	6	15	90	Protruding	Chrome	1
609-1322-120	Yellow	6	15	90	Protruding	Black	1
609-1112-130	Red	12	15	60	Protruding	Chrome	1
609-1122-130	Red	12	15	60	Protruding	Black	1
609-1212-130	Green	12	15	110	Protruding	Chrome	1
609-1222-130	Green	12	15	110	Protruding	Black	1
609-1312-130	Yellow	12	15	90	Protruding	Chrome	1
609-1322-130	Yellow	12	15	90	Protruding	Black	1
609-1112-140	Red	24	15	60	Protruding	Chrome	1
609-1122-140	Red	24	15	60	Protruding	Black	1
609-1212-140	Green	24	15	110	Protruding	Chrome	1
609-1222-140	Green	24	15	110	Protruding	Black	1
609-1312-140	Yellow	24	15	90	Protruding	Chrome	1
609-1322-140	Yellow	24	15	90	Protruding	Black	1
609-2112-120	Red	6	15	60	Recess	Chrome	2
609-2122-120	Red	6	15	60	Recess	Black	2
609-2212-120	Green	6	15	110	Recess	Chrome	2
609-2222-120	Green	6	15	110	Recess	Black	2
609-2312-120	Yellow	6	15	90	Recess	Chrome	2
609-2322-120	Yellow	6	15	90	Recess	Black	2
609-2112-130	Red	12	15	60	Recess	Chrome	2
609-2122-130	Red	12	15	60	Recess	Black	2
609-2212-130	Green	12	15	110	Recess	Chrome	2
609-2222-130	Green	12	15	110	Recess	Black	2
609-2312-130	Yellow	12	15	90	Recess	Chrome	2
609-2322-130	Yellow	12	15	90	Recess	Black	2
609-2112-140	Red	24	15	60	Recess	Chrome	2
609-2122-140	Red	24	15	60	Recess	Black	2
609-2212-140	Green	24	15	110	Recess	Chrome	2
609-2222-140	Green	24	15	110	Recess	Black	2
609-2312-140	Yellow	24	15	90	Recess	Chrome	2
609-2322-140	Yellow	24	15	90	Recess	Black	2

Dialight reserves the right to make changes at any time in order to supply the best product possible.



**Dialight Corporation**

1501 Route 34 South • Farmingdale, NJ 07727 USA

Tel: (1) 732-919-3119 • Fax: (1) 732-751-5778 • www.dialight.com



MDEL609X001\_B