

MCM63D736A

128K x 36 Bit Synchronous Dual I/O, Dual Address SRAM

The MCM63D736A is a 4M-bit static random access memory, organized as 128K words of 36 bits. It features common data input and data output buffers and incorporates input and output registers on-board with high speed SRAM.

The MCM63D736A allows the user to concurrently perform reads, writes, or pass-through cycles in combination on the two data ports. The two address ports (AX, AY) determine the read or write locations for their respective data ports (DQX, DQY).

The synchronous design allows for precise cycle control with the use of an external single clock (K). All signal pins except output enables (\overline{GX} , \overline{GY}) are registered on the rising edge of clock (K).

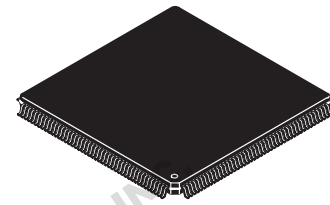
The pass-through feature allows data to be passed from one port to the other, in either direction. The \overline{PTX} input must be asserted to pass data from port X to port Y. The \overline{PTY} will likewise pass data from port Y to port X. A pass-through operation takes precedence over a read operation.

For the case when AX and AY are the same, certain protocols are followed. If both ports are read, the reads occur normally. If one port is written and the other is read, the read from the array will occur before the data is written. If both ports are written, only the data on DQY will be written to the array.

- Single 3.3 V $\pm 5\%$ Power Supply
- 133 MHz Maximum Clock Frequency
- Throughput of 4.8 Gigabits/Second
- Single Clock Operation
- Self-Timed Write
- Two Bi-Directional Data Buses
- Can be Configured as Separate I/O
- Pass-Through Feature
- Asynchronous Output Enables (\overline{GX} , \overline{GY})
- LVTTTL Compatible I/O
- Concurrent Reads and Writes
- 176-Pin TQFP Package

Suggested Applications

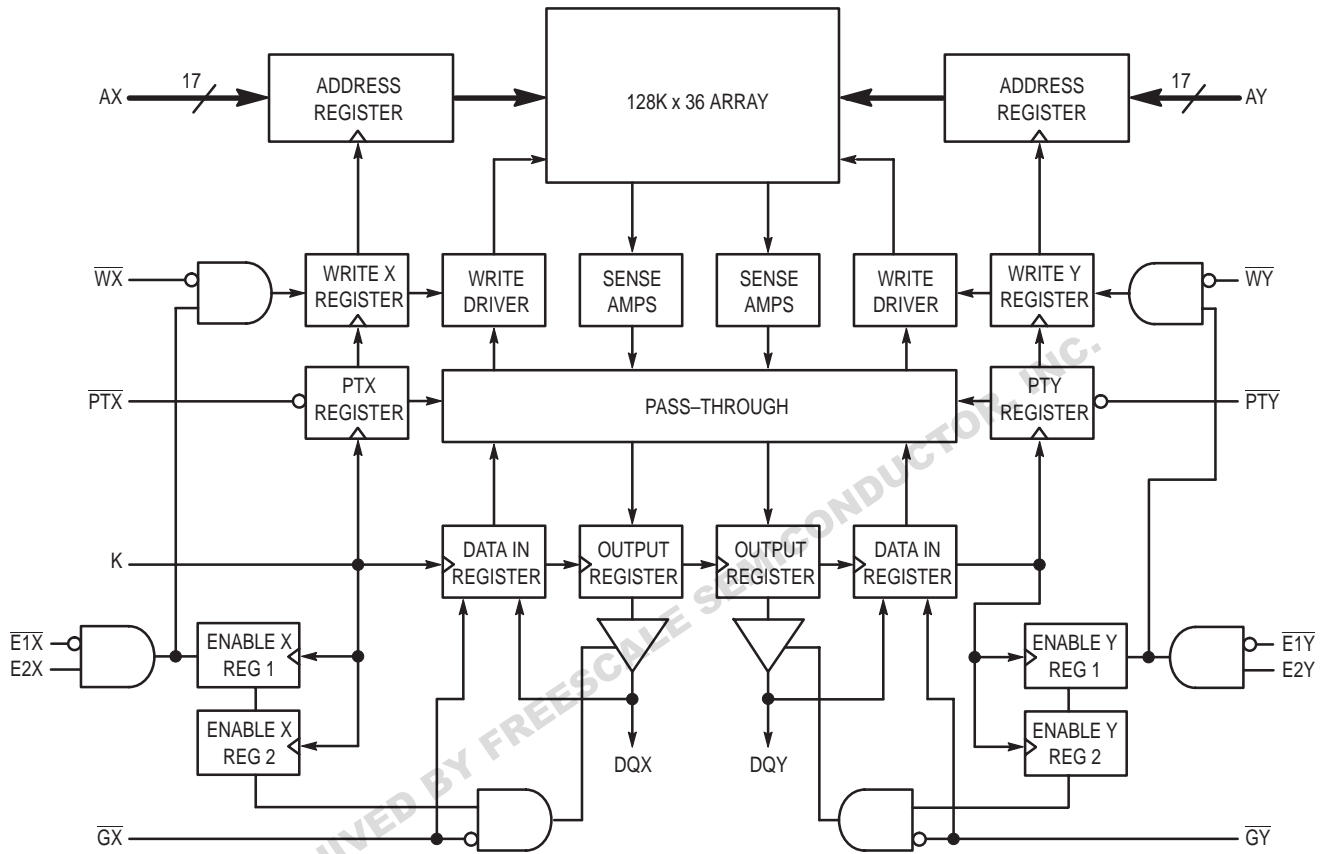
- | | | | |
|----------------------|---------------------|-----------------|--------------------------|
| — ATM | — Ethernet Switches | — Routers | — Cellular Base Stations |
| — Cell/Frame Buffers | — SNA Switches | — Shared Memory | — RAID Systems |



TQ PACKAGE
176 LEAD TQFP
CASE 1101-01

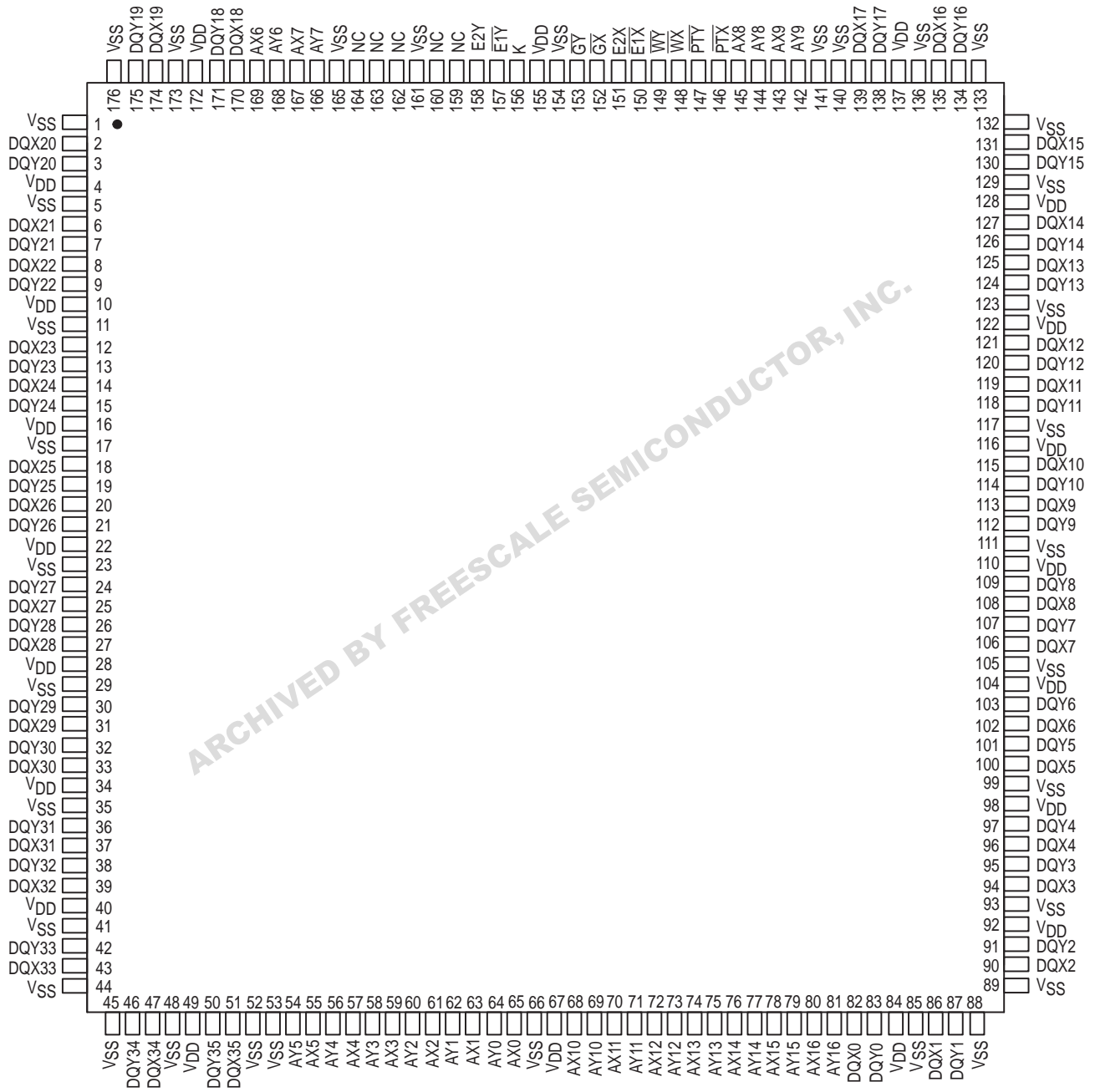


BLOCK DIAGRAM



Freescale Semiconductor, Inc.

PIN ASSIGNMENT



Freescale Semiconductor, Inc.

ARCHIVED BY FREESCALE SEMICONDUCTOR, INC.

Freescale Semiconductor, Inc.

PIN DESCRIPTIONS

Pin Locations	Symbol	Type	Description
65, 63, 61, 59, 57, 55, 169, 167, 145, 143, 68, 70, 72, 74, 76, 78, 80	AX0 – AX16	Input	Address Port X: Never allow floating addresses for inputs AX0 – AX16. A pullup resistor is needed.
64, 62, 60, 58, 56, 54, 168, 166, 144, 142, 69, 71, 73, 75, 77, 79, 81	AY0 – AY16	Input	Address Port Y: Never allow floating addresses for inputs AY0 – AY16. A pullup resistor is needed.
82, 86, 90, 94, 96, 100, 102, 106, 108, 113, 115, 119, 121, 125, 127, 131, 135, 139, 170, 174, 2, 6, 8, 12, 14, 18, 20, 25, 27, 31, 33, 37, 39, 43, 47, 51	DQX0 – DQX35	I/O	Data Input/Output Port X.
83, 87, 91, 95, 97, 101, 103, 107, 109, 112, 114, 118, 120, 124, 126, 130, 134, 138, 171, 175, 3, 7, 9, 13, 15, 19, 21, 24, 26, 30, 32, 36, 38, 42, 46, 50	DQY0 – DQY35	I/O	Data Input/Output Port Y.
150	$\overline{E1X}$	Input	Synchronous Chip Enable Port X: Active low.
151	E2X	Input	Synchronous Chip Enable Port X: Active high.
157	$\overline{E1Y}$	Input	Synchronous Chip Enable Port Y: Active low.
158	E2Y	Input	Synchronous Chip Enable Port Y: Active high.
152	\overline{GX}	Input	Asynchronous Output Enable Port X Input: Low — enables output buffers (DQXx pins). High — DQXx pins are high impedance.
153	\overline{GY}	Input	Asynchronous Output Enable Port Y Input: Low — enables output buffers (DQYx pins). High — DQYx pins are high impedance.
156	K	Input	Clock: This signal registers the address, data in, and all control signals except \overline{G} .
146	\overline{PTX}	Input	Pass-Through Port X.
147	\overline{PTY}	Input	Pass-Through Port Y.
148	\overline{WX}	Input	Synchronous Write Enable Port X.
149	\overline{WY}	Input	Synchronous Write Enable Port Y.
4, 10, 16, 22, 28, 34, 40, 49, 67, 84, 92, 98, 104, 110, 116, 122, 128, 137, 155, 172	V _{DD}	Supply	3.3 V Power Supply.
1, 5, 11, 17, 23, 29, 35, 41, 44, 45, 48, 52, 53, 66, 85, 88, 89, 93, 99, 105, 111, 117, 123, 129, 132, 133, 136, 140, 141, 154, 161, 165, 173, 176	V _{SS}	Supply	Ground.
159, 159, 160, 162, 163, 164	NC	—	No Connection: There is no connection to the chip.

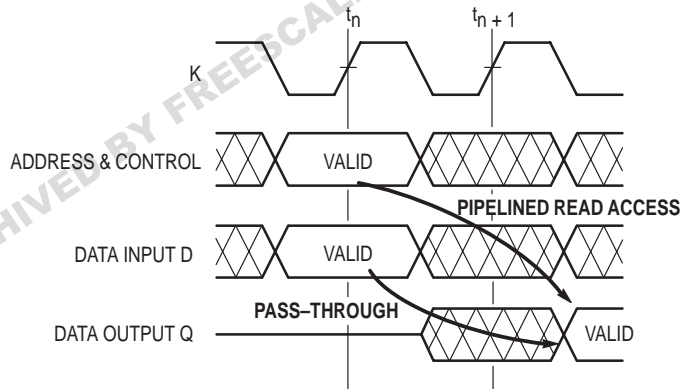
Freescale Semiconductor, Inc.

TRUTH TABLE (See Notes 1 through 6)

Operation No.	Input at t_n Clock								Operation
	E1X	E2X	E1Y	E2Y	WX	WY	PTX	PTY	
1	H	X	H	X	X	X	X	X	Deselected
2	X	L	X	L	X	X	X	X	Deselected
3	L	H	X	X	L	X	X	X	Write X Port
4	X	X	L	H	X	L	X	X	Write Y Port
5	L	H	L	H	X	X	L	X	Pass-Through X to Y
6	L	H	L	H	X	X	X	L	Pass-Through Y to X
7	L	H	X	X	H	X	H	H	Read X
8	X	X	L	H	X	H	H	H	Read Y

NOTES:

1. L = Logic Low; H = Logic High; X = Don't Care.
2. $\overline{GX}/\overline{GY}$ must be negated during write and pass-through cycles.
3. Operation numbers 3 – 6 can be used in any combination.
4. Operation numbers 4 and 7, 3 and 8, 7 and 8 can be combined.
5. Operation number 5 can not be combined with operation number 7 or 8 because pass-through takes precedence over a read operation.
6. Operation number 6 can not be combined with operation number 7 or 8 because pass-through takes precedence over a read operation.



ABSOLUTE MAXIMUM RATINGS (See Notes)

Rating	Symbol	Value	Unit
Power Supply Voltage	V_{DD}	-0.5 to 4.6	V
Voltage Relative to V_{SS} for Any Pin Except V_{DD}	V_{in}, V_{out}	-0.5 to $V_{DD} + 0.5$	V
Output Current	I_{out}	± 20	mA
Package Power Dissipation	P_D	1.6	W
Temperature Under Bias	T_{bias}	-10 to 85	$^{\circ}C$
Storage Temperature — Plastic	T_{stg}	-55 to 125	$^{\circ}C$

NOTES:

1. Permanent device damage may occur if ABSOLUTE MAXIMUM RATINGS are exceeded. Functional operation should be restricted to RECOMMENDED OPERATING CONDITIONS. Exposure to higher than recommended voltages for extended periods of time could affect device reliability.
2. Power dissipation capability is dependent upon package characteristics and use environment. See Package Thermal Characteristics.

This is a synchronous device. All synchronous inputs must meet specified setup and hold times with stable logic levels for **ALL** rising edges of clock (K) while the device is selected.

This device contains circuitry to protect the inputs against damage due to high static voltages or electric fields; however, it is advised that normal precautions be taken to avoid application of any voltage higher than maximum rated voltages to these high-impedance circuits.

Freescale Semiconductor, Inc.

PACKAGE THERMAL CHARACTERISTICS (See Note 1)

Rating	Symbol	TQFP	Unit	Notes
Junction to Ambient (@ 200 lfm)	R _{θJA}	35	°C/W	2
Single-Layer Board Four-Layer Board		30		
Junction to Board (Bottom)	R _{θJB}	23	°C/W	3
Junction to Case (Top)	R _{θJC}	9	°C/W	4

NOTES:

1. Junction temperature is a function of on-chip power dissipation, package thermal resistance, mounting site (board) temperature, ambient temperature, air flow, board population, and board thermal resistance.
2. Per SEMI G38-87.
3. Indicates the average thermal resistance between the die and the printed circuit board.
4. Indicates the average thermal resistance between the die and the case top surface via the cold plate method (MIL SPEC-883 Method 1012.1).

DC OPERATING CONDITIONS AND CHARACTERISTICS

(V_{DD} = 3.3 V ±5%, T_A = 0° to 70°C, Unless Otherwise Noted)

RECOMMENDED OPERATING CONDITIONS AND SUPPLY CURRENTS

Parameter	Symbol	Min	Max	Unit
Supply Voltage (Operating Voltage Range)	V _{DD}	3.135	3.465	V
Input High Voltage	V _{IH}	2.0	V _{DD} + 0.5**	V
Input Low Voltage	V _{IL}	-0.5*	0.8	V
Input Leakage Current (All Inputs, V _{in} = 0 to V _{DD})	I _{lkg(I)}	—	±1.0	μA
Output Leakage Current ($\bar{E} = V_{IH}$, V _{out} = 0 to V _{DD})	I _{lkg(O)}	—	±1.0	μA
AC Supply Current (I _{out} = 0 mA) (V _{DD} = Max, f = f _{max})	I _{DDA-133} I _{DDA-100} I _{DDA-83}	—	400 350 325	mA
CMOS Standby Supply Current (Deselected, Clock (K) Cycle Time ≥ t _{KHKH} , All Inputs Toggling at CMOS Levels V _{in} ≤ V _{SS} + 0.2 V or ≥ V _{DD} - 0.2 V)	I _{SB1-133} I _{SB1-100} I _{SB1-83}	—	140 120 100	mA
Output Low Voltage (I _{OL} = 8.0 mA)	V _{OL}	—	0.4	V
Output High Voltage (I _{OH} = -4.0 mA)	V _{OH}	2.4	V _{DD}	V

* V_{IL} ≥ -1.5 V for t ≤ t_{KHKH}/2.

** V_{IH} ≤ V_{DD} + 1.0 V (not to exceed 4.6 V) for t ≤ t_{KHKH}/2.

CAPACITANCE (f = 1.0 MHz, T_A = 0° to 70°C, Periodically Sampled Rather Than 100% Tested)

Parameter	Symbol	Max	Unit
Address and Data Input Capacitance	C _{in}	6	pF
Control Pin Input Capacitance	C _{in}	6	pF
Output Capacitance	C _{out}	8	pF

Freescale Semiconductor, Inc.

AC OPERATING CONDITIONS AND CHARACTERISTICS

($V_{DD} = 3.3\text{ V} \pm 5\%$, $T_A = 0^\circ$ to 70°C , Unless Otherwise Noted)

Input Timing Measurement Reference Level 1.5 V
 Input Pulse Levels 0 to 3.0 V
 Input Rise/Fall Time 1 V/ns (20% to 80%)

Output Timing Reference Level 1.5 V
 Output Load Figure 1 Unless Otherwise Noted

READ/WRITE CYCLE TIMING (See Notes 1, 2, and 3)

Parameter	Symbol	MCM63D736A-133		MCM63D736A-100		MCM63D736A-83		Unit	Notes
		Min	Max	Min	Max	Min	Max		
Cycle Time	t_{KHKH}	7.5	—	10	—	12	—	ns	1
Clock Access Time	t_{KHQV}	—	4	—	5	—	6	ns	
Clock Low Pulse Width	t_{KLKH}	3	—	4	—	4	—	ns	
Clock High Pulse Width	t_{KHKL}	3	—	4	—	4	—	ns	
Clock High to Data Output Active	t_{KHQX1}	0	—	0	—	0	—	ns	
Clock High to Data Output Invalid	t_{KHQX2}	1	—	1	—	1	—	ns	
Clock High to Data Output High-Z	t_{KHQZ}	—	3.2	—	3.2	—	4	ns	2
Output Enable Low to Data Output Valid	t_{GLQV}	—	4	—	5	—	6	ns	
Output Enable Low to Data Output Low-Z	t_{GLQX}	0	—	0	—	0	—	ns	
Output Enable High to Data Output High-Z	t_{GHQZ}	—	3	—	3	—	5	ns	2
Setup Times: AWR0 – AWR16 ARD0 – ARD16 \overline{W} PT E1X, E2X, E1Y, E2Y D0 – D35	t_{AVKH} t_{AVKH} t_{WVKH} t_{PTVKH} t_{EVKH} t_{DVKH}	1.5	—	1.5	—	2.5	—	ns	3
Hold Times: AWR0 – AWR16 ARD0 – ARD16 \overline{W} PT E1X, E2X, E1Y, E2Y D0 – D35	t_{KHAX} t_{KHAX} $t_{KH WX}$ t_{KHPTX} $t_{KH EX}$ t_{KHDX}	0.5	—	0.5	—	0.5	—	ns	3

NOTES:

1. All read and write cycles are referenced from K.
2. This parameter is sampled and not 100% tested.
3. This is a synchronous device. All synchronous inputs must meet the specified setup and hold times with stable logic levels for **ALL** rising edges of clock (K) while the device is selected.

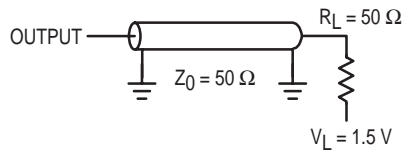
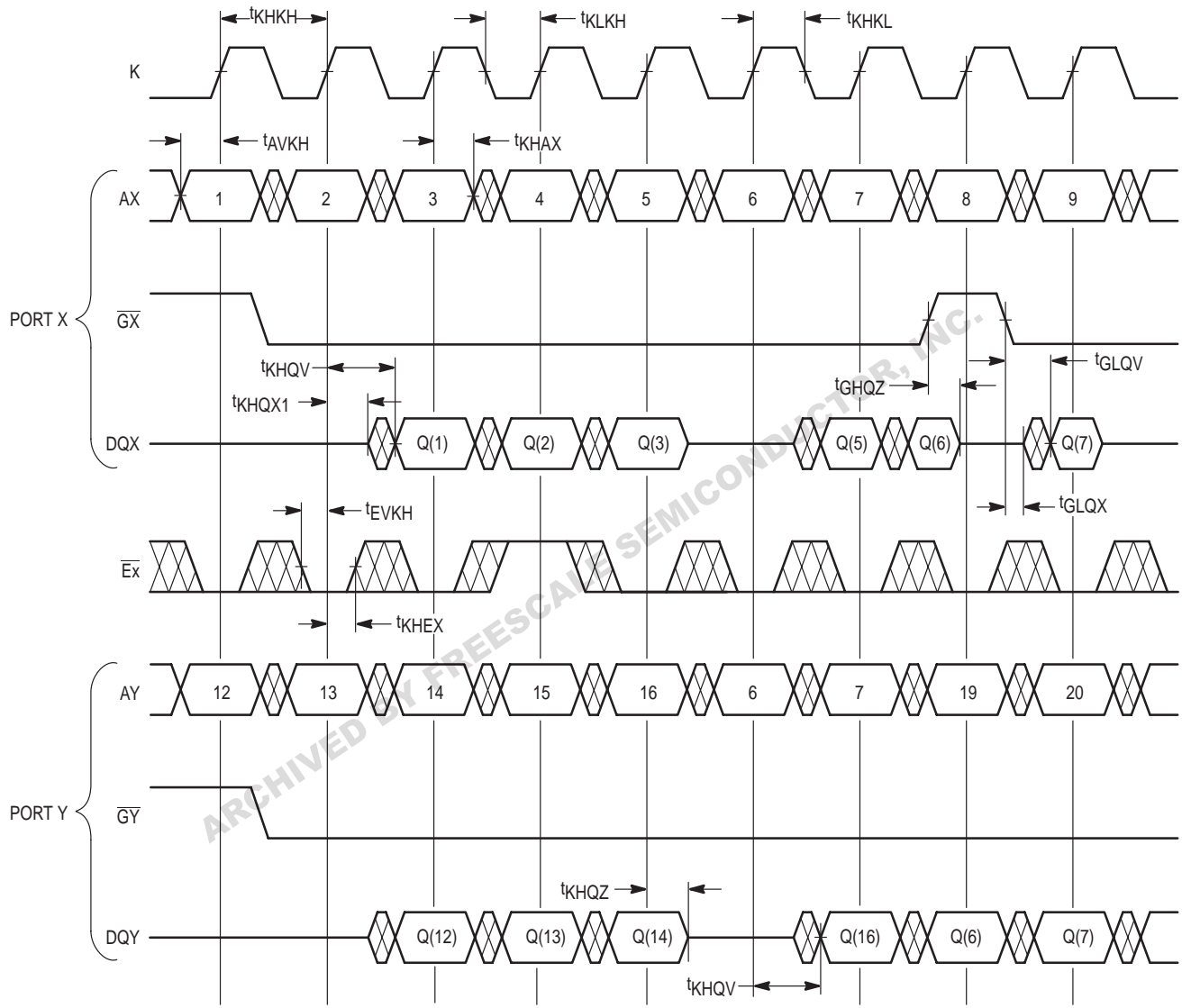


Figure 1. AC Test Load

Freescale Semiconductor, Inc.

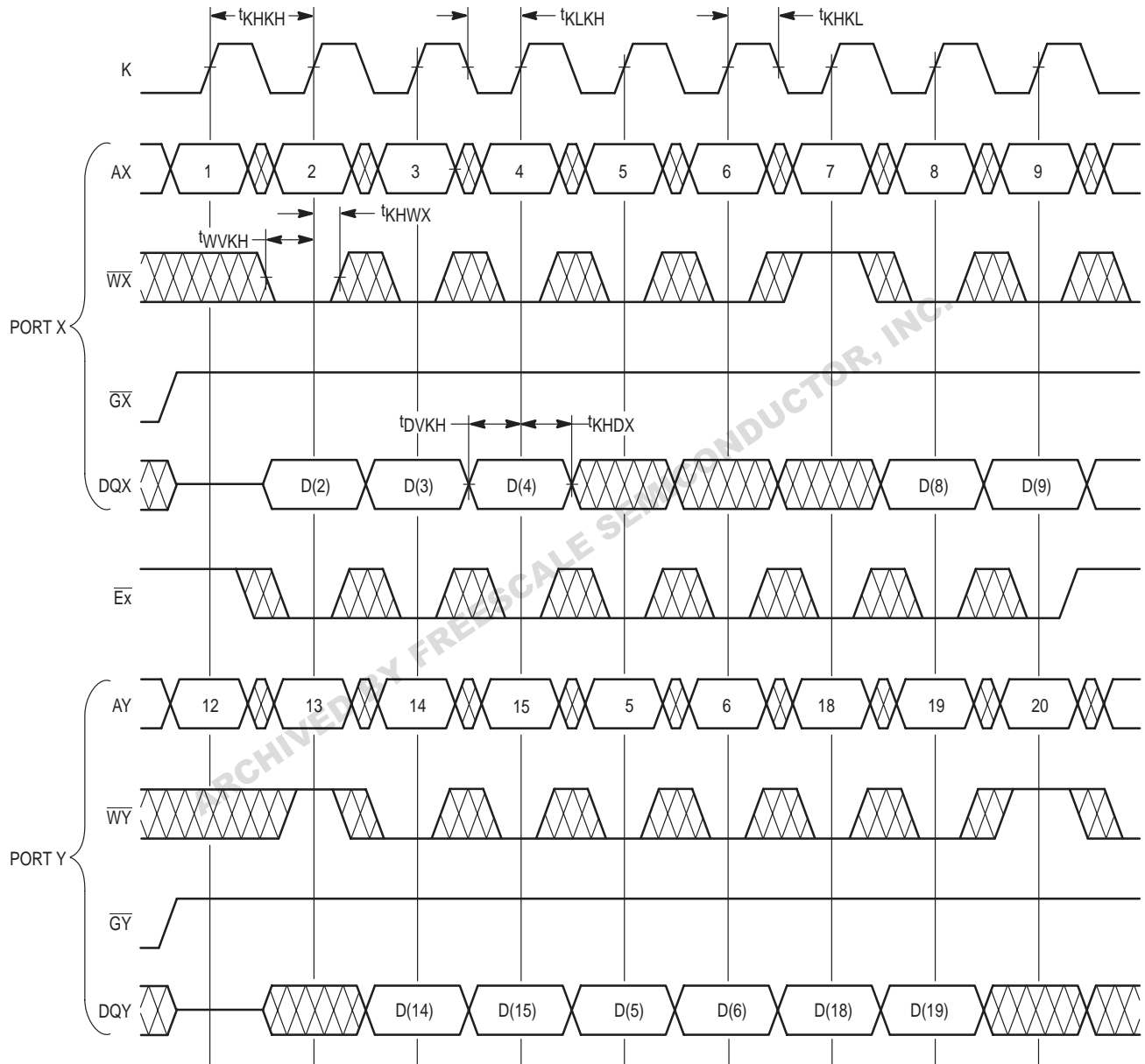
READ CYCLE TIMING FROM BOTH PORTS (\overline{WX} , \overline{WY} , \overline{PTX} , \overline{PTY} HIGH)



NOTE: \overline{EX} Low = $\overline{E1x}$ Low and E2x High. \overline{EX} High = $\overline{E1x}$ High or E2x Low.

Freescale Semiconductor, Inc.

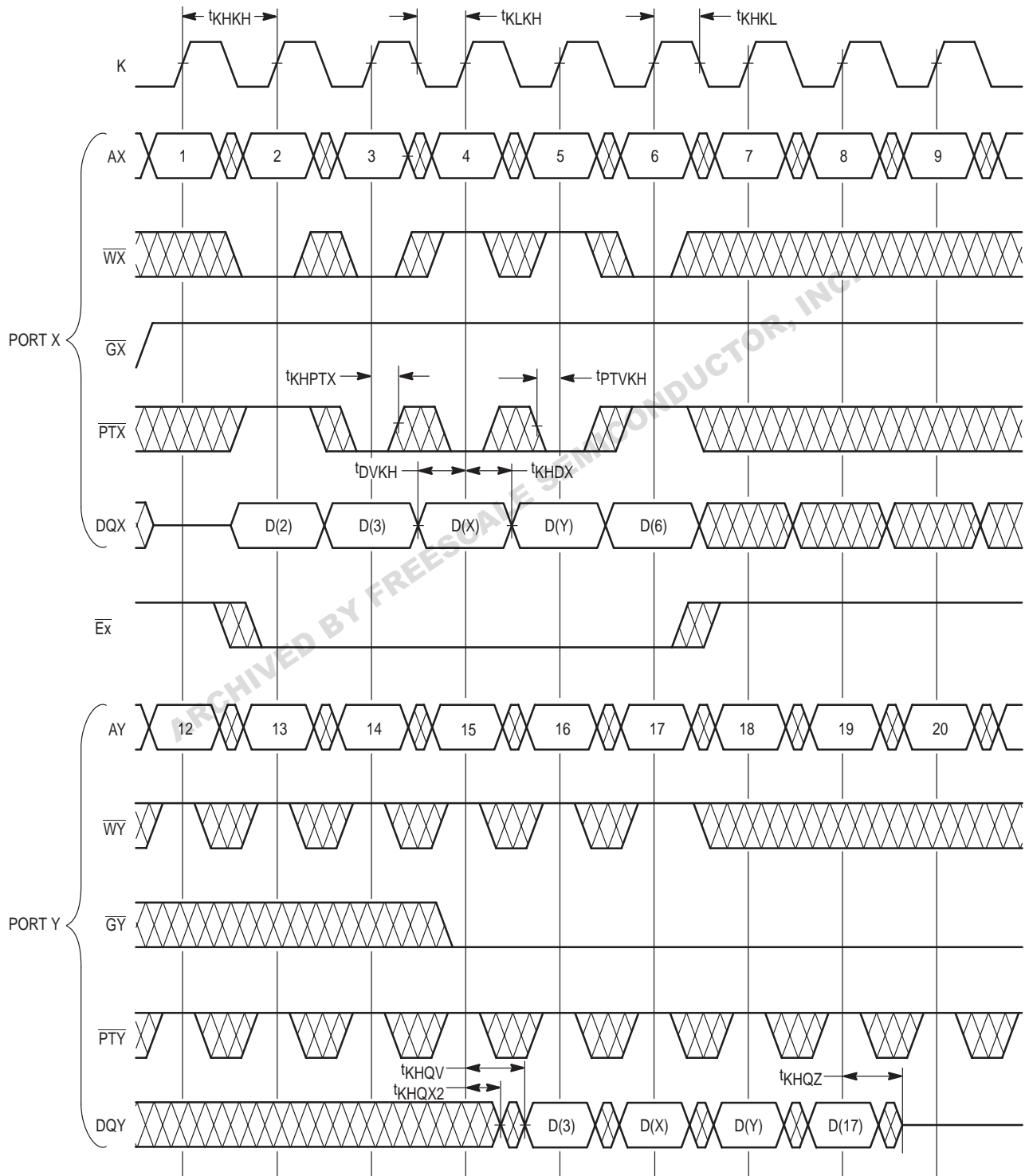
WRITE CYCLE TIMING TO BOTH PORTS (\overline{PTX} , \overline{PTY} HIGH)



NOTE: \overline{Ex} Low = $\overline{E1x}$ Low and E2x High. \overline{Ex} High = $\overline{E1x}$ High or E2x Low.

Freescale Semiconductor, Inc.

WRITE TO PORT X AND PASS-THROUGH TO PORT Y (SEE NOTES)

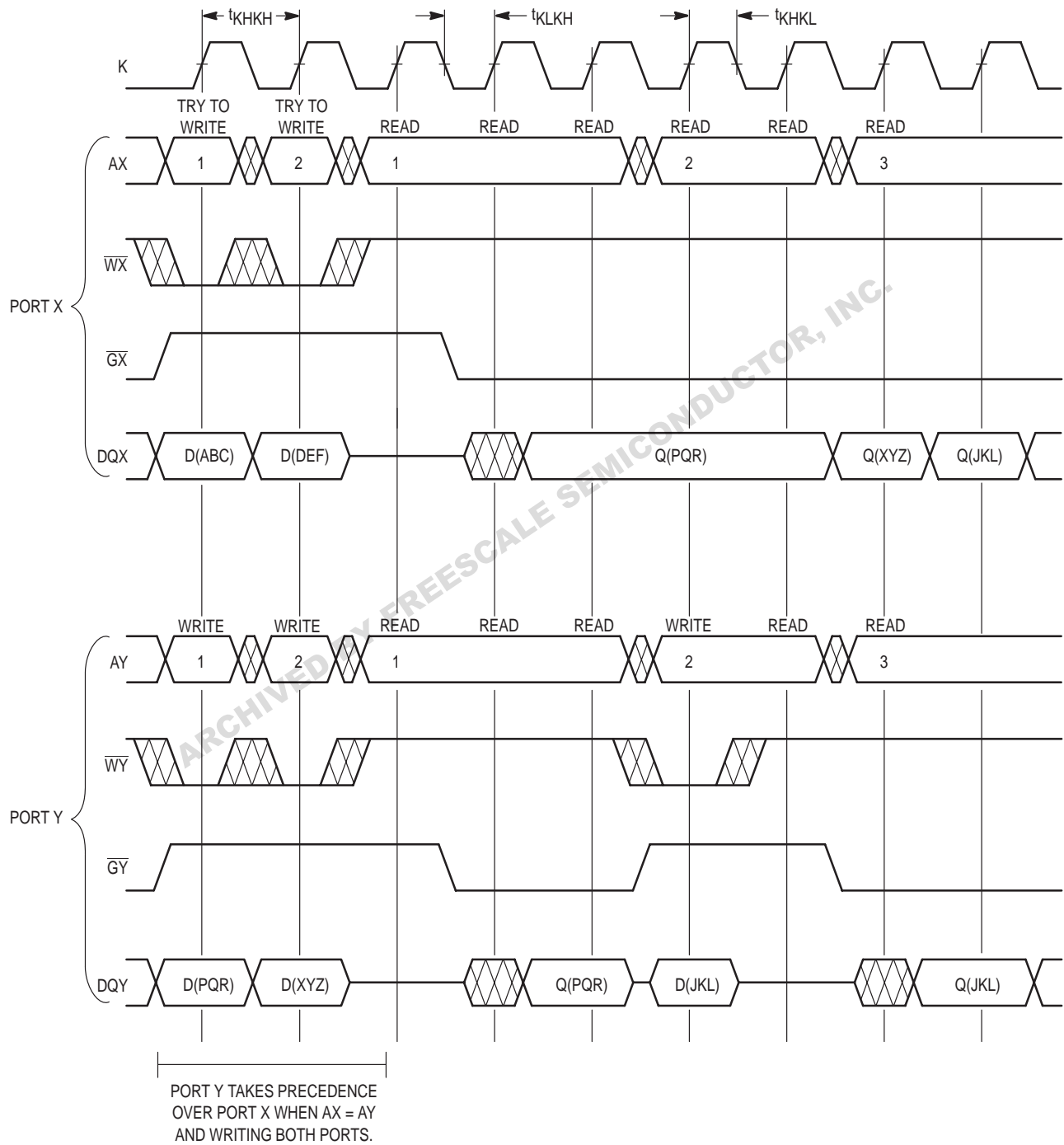


NOTES: $\overline{E}x$ Low = $\overline{E}1x$ Low and $E2x$ High. $\overline{E}x$ High = $\overline{E}1x$ High or $E2x$ Low.

The timing diagram is valid for the opposite case as well, i.e., writing to Port Y and passing through to Port X.

Freescale Semiconductor, Inc.

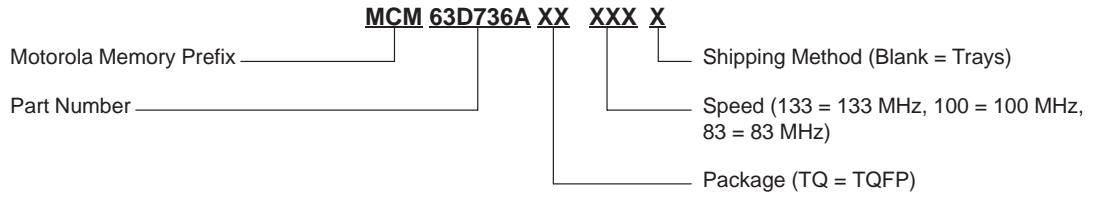
COMBINATION READ/WRITE WITH SAME ADDRESS ON EACH PORT



NOTES: $\overline{PTX} = \overline{PTY} = \text{high}$.
 D(Value) = Value is the input to the data port.
 Q(Value) = Value is the output from the data port.

Freescale Semiconductor, Inc.

ORDERING INFORMATION (Order by Full Part Number)



Full Part Numbers — MCM63D736ATQ133 MCM63D736ATQ100 MCM63D736ATQ83

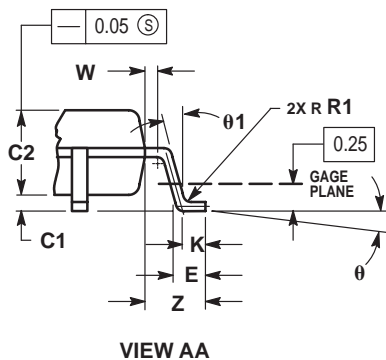
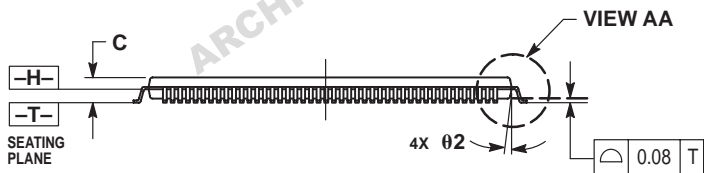
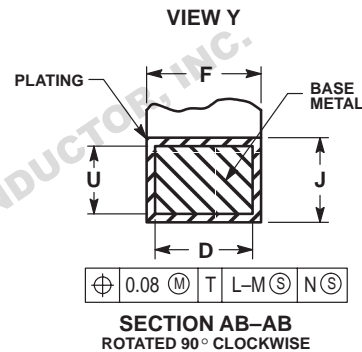
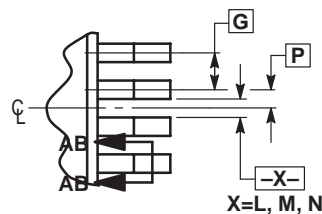
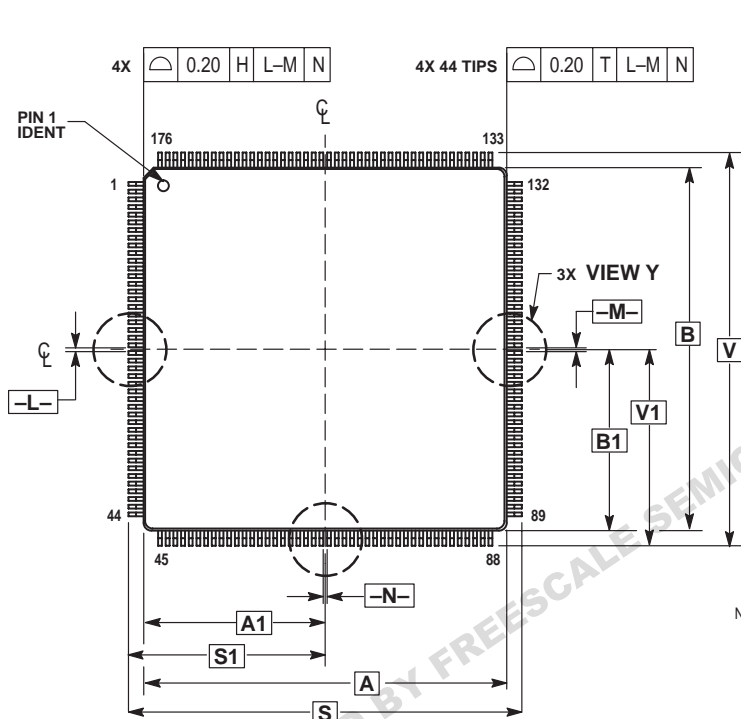
ARCHIVED BY FREESCALE SEMICONDUCTOR, INC.

Freescale Semiconductor, Inc.

Freescale Semiconductor, Inc.

PACKAGE DIMENSIONS

TQFP PACKAGE
176-LEAD
CASE 1101-01




NOTES:

1. DIMENSIONING AND TOLERANCING PER ANSI Y14.5M, 1982.
2. CONTROLLING DIMENSION: MILLIMETER.
3. DATUM PLANE -H- IS LOCATED AT BOTTOM OF LEAD AND IS COINCIDENT WITH THE LEAD WHERE THE LEAD EXITS THE PLASTIC BODY AT THE BOTTOM OF THE PARTING LINE.
4. DATUMS -L-, -M-, AND -N- TO BE DETERMINED AT DATUM PLANE -H-.
5. DIMENSIONS S AND V TO BE DETERMINED AT SEATING PLANE -T-.
6. DIMENSIONS A AND B DO NOT INCLUDE MOLD PROTRUSION. ALLOWABLE PROTRUSION IS 0.25 (0.010) PER SIDE. DIMENSIONS A AND B DO INCLUDE MOLD MISMATCH AND ARE DETERMINED AT DATUM PLANE -H-.
7. DIMENSION D DOES NOT INCLUDE DAMBAR PROTRUSION. DAMBAR PROTRUSION SHALL NOT CAUSE THE LEAD WIDTH TO EXCEED 0.35 (0.014) MINIMUM SPACE BETWEEN PROTRUSION AND ADJACENT LEAD 0.07 (0.003).

MILLIMETERS		
DIM	MIN	MAX
A	24.00	BSC
A1	12.00	BSC
B	24.00	BSC
B1	12.00	BSC
C	—	1.60
C1	0.05	—
C2	1.35	1.45
D	0.17	0.23
E	0.45	0.75
F	0.17	0.27
G	0.50	BSC
J	0.09	0.20
K	0.50	REF
P	0.25	BSC
R1	0.10	0.20
S	26.00	BSC
S1	13.00	BSC
U	0.09	0.16
V	26.00	BSC
V1	13.00	BSC
W	0.20	REF
Z	1.00	REF
theta	0°	7°
theta1	0°	—
theta2	12°	REF

ARCHIVED BY FREESCALE SEMICONDUCTOR, INC.

Motorola reserves the right to make changes without further notice to any products herein. Motorola makes no warranty, representation or guarantee regarding the suitability of its products for any particular purpose, nor does Motorola assume any liability arising out of the application or use of any product or circuit, and specifically disclaims any and all liability, including without limitation consequential or incidental damages. "Typical" parameters which may be provided in Motorola data sheets and/or specifications can and do vary in different applications and actual performance may vary over time. All operating parameters, including "Typicals" must be validated for each customer application by customer's technical experts. Motorola does not convey any license under its patent rights nor the rights of others. Motorola products are not designed, intended, or authorized for use as components in systems intended for surgical implant into the body, or other applications intended to support or sustain life, or for any other application in which the failure of the Motorola product could create a situation where personal injury or death may occur. Should Buyer purchase or use Motorola products for any such unintended or unauthorized application, Buyer shall indemnify and hold Motorola and its officers, employees, subsidiaries, affiliates, and distributors harmless against all claims, costs, damages, and expenses, and reasonable attorney fees arising out of, directly or indirectly, any claim of personal injury or death associated with such unintended or unauthorized use, even if such claim alleges that Motorola was negligent regarding the design or manufacture of the part. Motorola and  are registered trademarks of Motorola, Inc. Motorola, Inc. is an Equal Opportunity/Affirmative Action Employer.

How to reach us:

USA/EUROPE/ Locations Not Listed: Motorola Literature Distribution;
P.O. Box 5405, Denver, Colorado, 80217. 1-303-675-2140 or 1-800-441-2447

TECHNICAL INFORMATION CENTER: 1-800-521-6274

JAPAN: Motorola Japan Ltd.; SPS, Technical Information Center,
3-20-1, Minami-Azabu. Minato-ku, Tokyo 106-8573 Japan. 81-3-3440-3569

ASIA/PACIFIC: Motorola Semiconductors H.K. Ltd.; Silicon Harbour Centre,
2 Dai King Street, Tai Po Industrial Estate, Tao Po, N.T., Hong Kong.
852-26668334

HOME PAGE: <http://motorola.com/semiconductors/>



MOTOROLA

**For More Information On This Product,
Go to: www.freescale.com**

MCM63D736A/D