

SPECIFICATIONS

Mechanical

Mating Force: 3.0kg (6.6Lb) min.
Unmating Force: 0.3kg (0.66Lb) min.
Durability : 5000 Cycles

Electrical

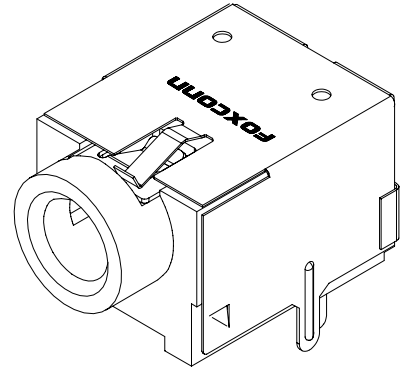
Voltage Rating: 150V max.
Current Rating: 1A max.
Contact Resistance: 50mΩ max.
Dielectric Withstanding Voltage: 500V
Insulation Resistance: 100MΩ

Physical

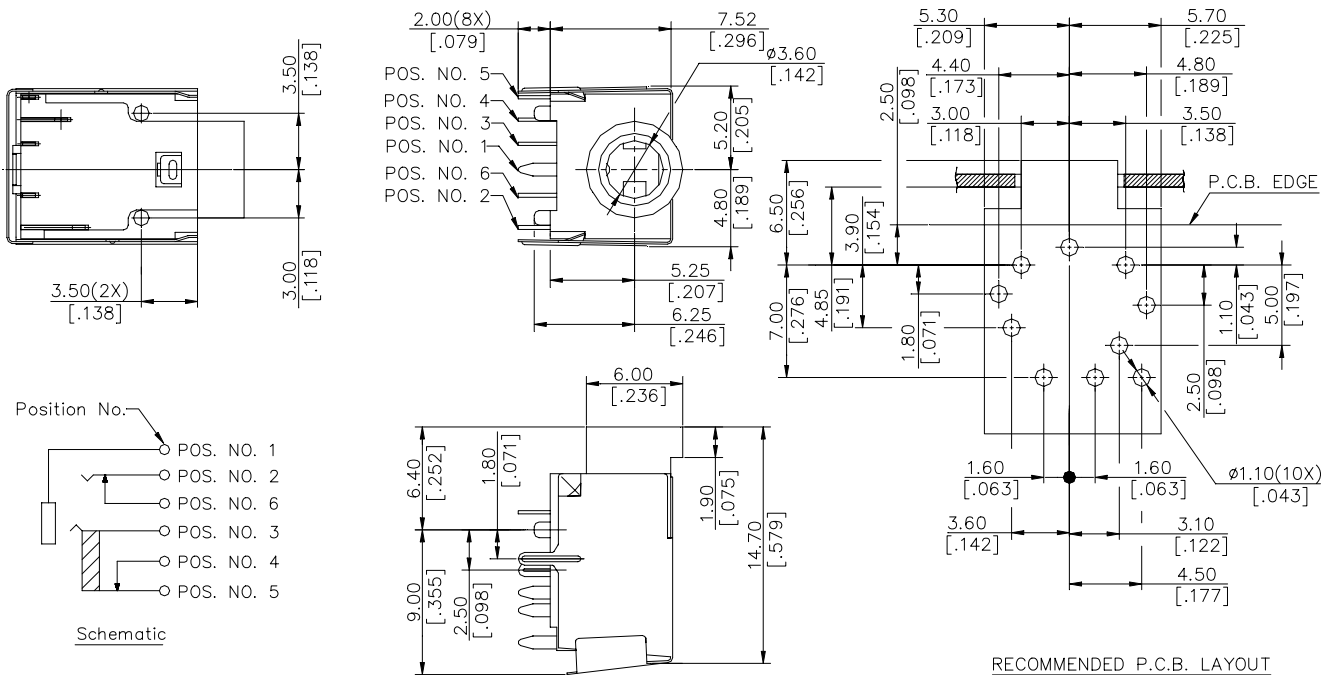
Housing: Thermoplastic, UL 94V-0
Contact: Copper alloy
Plating: See "ORDERING INFORMATION"
Metal Spring: Copper alloy
Operating Temperature: -40 to +85

AUDIO JACK Connector

JA Series
T/H Type
3 Bands
Plug \varnothing 3.5mm
6 Pos.



DRAWING



ORDERING INFORMATION

PRODUCT NO.: JA9333L-(W*)1P0-TR

Series Prefix J=Jack		Packing Code TR=Tape Reel
Conn. Series A=Audio Jack		Tail Length 0=2.00mm
Body&Termination Type 9=Single Port, Special Body Hight		W/ Shell
Sleeve Style 3=W/O Bushing		Schematic
Plug Type 3=3 Band		Color O=Orange P=Pink
Plug Diameter 3=3.50 (0.141")		
Contact Area Plating L=Pd/Ni + Gold Flash		
W=High temperature Plastic		

JA9333L-1P0-TR	BLACK
JA9333L-WP1P0-TR	PINK 701C
JA9333L-WO1P0-TR	ORANGE 157C
P/N	COLOR