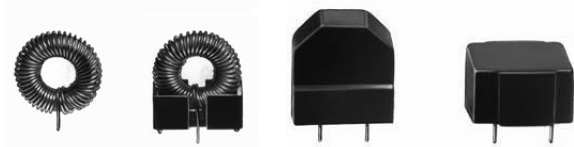


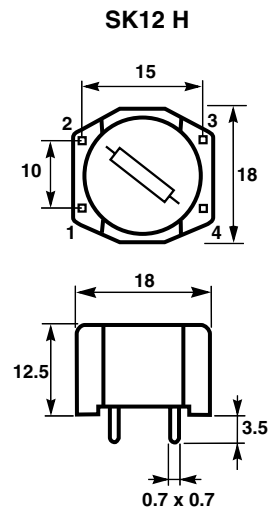
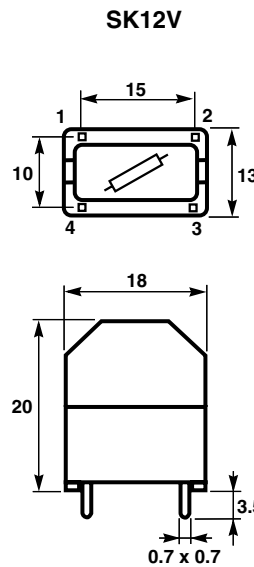
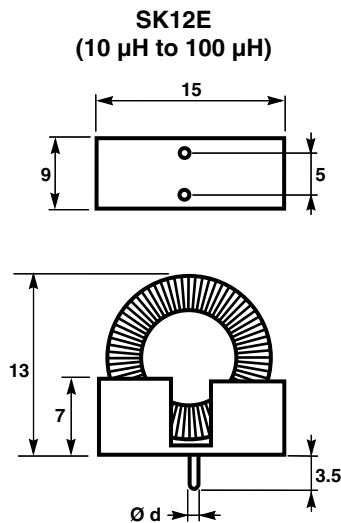
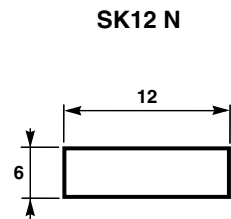
High Current Toroidal Inductors, EMI/RFI Noise Suppression, Switching Power Supplies and Output Chokes

FEATURES

- SK series inductors have a copper winding on a toroid
- Available with a bare construction or in a case
- Main uses are power supply, filtering or dc-to-dc converters with frequencies up to 300 kHz



DIMENSIONS in millimeters



ELECTRICAL SPECIFICATIONS	
Tolerance	$\pm 20\%$
Max. Operating Frequency	300 kHz
Maximum Voltage	250 V _{RMS}

MECHANICAL SPECIFICATIONS

Magnetic Circuit toroid
Terminals wire N and E versions
 pins: V and H versions

PACKAGING
50 pieces in box

ENVIRONMENTAL SPECIFICATIONS

Operating Temperature Range - 40 °C + 125 °C

MARKING (V AND H VERSIONS)

Print marked:
 manufacturer, model, style, inductance value, nominal current



High Current Toroidal Inductors,
EMI/RFI Noise Suppression, Switching Power Supplies
and Output Chokes

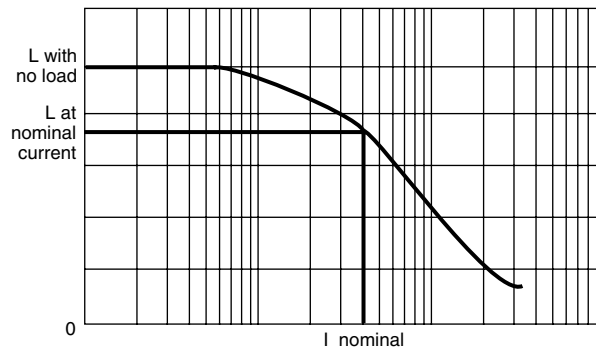
Vishay Aztronic

ORDERING INFORMATION				
SK	12	V	47 μ H	e2
MODEL	STYLE	VERSION	INDUCTANCE VALUE NO LOAD	LEAD FINISH e2: SnCu

SAP PART NUMBERING GUIDELINES																	
S	K	1	2	V	4	7	0	M	B	2	5						
MODEL		STYLE		VERSION	INDUCTANCE VALUE			TOL.	PACKAGING CODE			SPECIAL (IF APPLICABLE)					

See the end of this data book for conversion tables

INDUCTANCE VALUE VERSUS CURRENT



I MAX. mA	L WITH NO LOAD μ H	L MIN. AT NOMINAL CURRENT μ H	DCR MAX. m Ω	\varnothing D MAX. (WIRE DIAMETER) N AND E VERSIONS mm
2	10	7	20	0.7
1.5	22	15	38	0.6
1	47	33	84	0.5
0.75	100	70	155	0.4
0.5	220	154	310	0.4
0.315	470	330	875	0.3
0.2	1000	700	1590	0.3

On request: other values or pin configuration.



Disclaimer

All product specifications and data are subject to change without notice.

Vishay Intertechnology, Inc., its affiliates, agents, and employees, and all persons acting on its or their behalf (collectively, "Vishay"), disclaim any and all liability for any errors, inaccuracies or incompleteness contained herein or in any other disclosure relating to any product.

Vishay disclaims any and all liability arising out of the use or application of any product described herein or of any information provided herein to the maximum extent permitted by law. The product specifications do not expand or otherwise modify Vishay's terms and conditions of purchase, including but not limited to the warranty expressed therein, which apply to these products.

No license, express or implied, by estoppel or otherwise, to any intellectual property rights is granted by this document or by any conduct of Vishay.

The products shown herein are not designed for use in medical, life-saving, or life-sustaining applications unless otherwise expressly indicated. Customers using or selling Vishay products not expressly indicated for use in such applications do so entirely at their own risk and agree to fully indemnify Vishay for any damages arising or resulting from such use or sale. Please contact authorized Vishay personnel to obtain written terms and conditions regarding products designed for such applications.

Product names and markings noted herein may be trademarks of their respective owners.