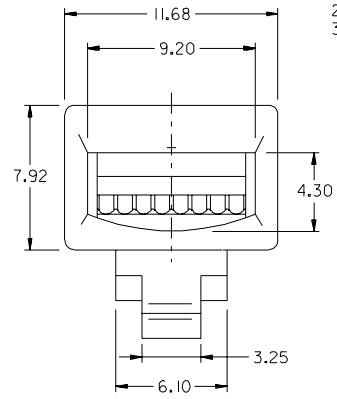
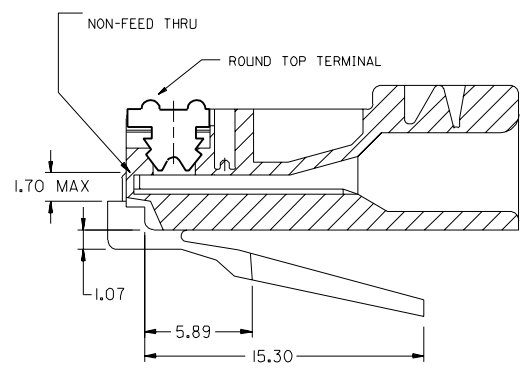
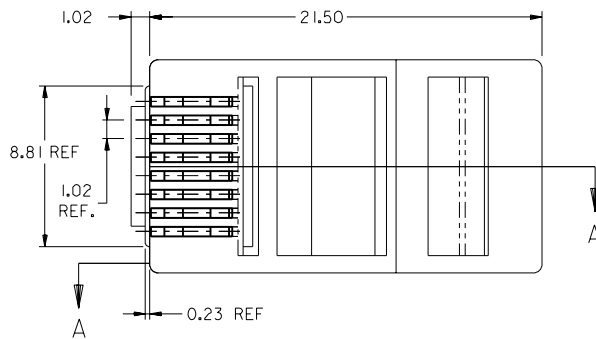
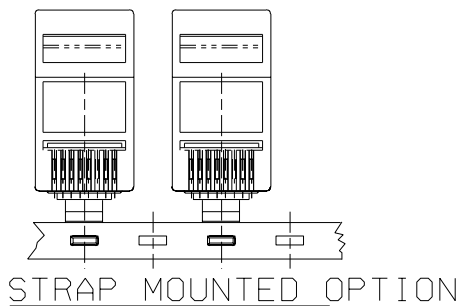


DWG. NO. SD_87522-****
 CAD FILE S8752211.DGN

DO NOT SCALE DRAWING



SECTION A - A
 ROUND TOP TERMINAL & NON FEED-THRU OPTION ROUND CABLE OPTION



PART LEGEND

- 87522 - * * * *
- CKT. SIZE
 - 4 - 8 LOAD 4
 - 6 - 8 LOAD 6
 - 8 - 8 LOAD 8
 - 0 - ROUND CABLE (NON-FEED THRU)
 - 1 - FLAT CABLE (NON-FEED THRU)
 - 2 - ROUND CABLE (FEED THRU)
 - 3 - FLAT CABLE (FEED THRU)
 - 0 - NO KEY WITH NO STRAP MOUNTING
 - 1 - NO KEY WITH STRAP MOUNTING
 - 2 - KEY WITH NO STRAP MOUNTING
 - 3 - KEY WITH STRAP MOUNTING
 - 5 - ROUND TOP TERMINAL, PLATING CODE 1
 - 6 - ROUND TOP TERMINAL, PLATING CODE 2
 - 2 - FLAT TOP TERMINAL, PLATING CODE 3
 - 5 - ROUND TOP TERMINAL, PLATING CODE 1
 - 6 - ROUND TOP TERMINAL, PLATING CODE 2
 - 7 - ROUND TOP TERMINAL, PLATING CODE 3

NOTES

1. MATERIALS:
 HOUSING - POLYCARBONATE (CLEAR), UL-94V2
 TERMINAL - 0.35mm THICK HIGH STRENGTH BRASS ALLOY
2. PLATING : SELECTIVE GOLD PLATING ON CONTACT AREA WITH NICKEL UNDER COATING
SELECTIVE GOLD PLATING THICKNESS
 CODE - 1 : 0.381um
 - 2 : 0.762um
 - 3 : 1.27um
3. THIS PRODUCT SERIES IS MANUFACTURED IN MOLEX INDIA

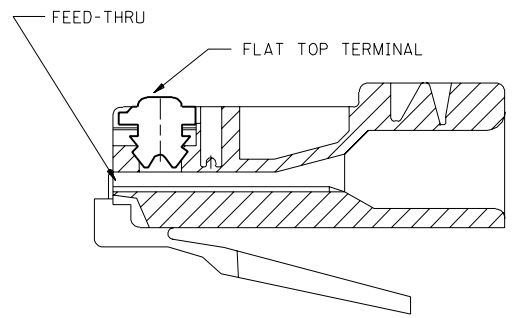
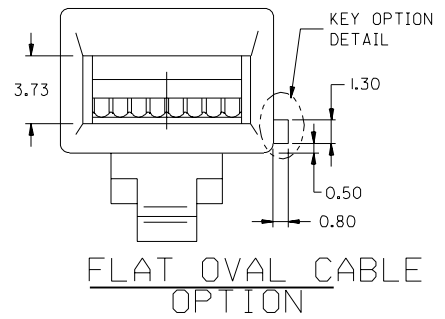
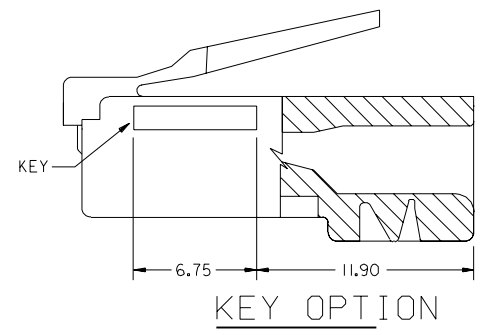
				MATERIAL :		MOLEX SINGAPORE PTE LTD	
				SEE NOTES		SHEET 1 OF 2	
C	REVISE PER ECN S1999-0099	---	MSIAN	980923	FINISH :		GENERAL TOLERANCES ± 0.20/1008
BI	REVISED AS PER ECN	S70086	SAMC	960802	SEE NOTES		REV C
B	ADDITION OPTION	S60519	SAMC	960502			DWG. NO.:
A	REL. TO REPLACE 87031-***	S60409	SAMC	960228			SD 87522-****
LTR	REVISION RECORD	ECN	DR	DATE	DRAWN BY SAMC 960228	CHK'D BY	TITLE :
REVISE ONLY ON CAD SYSTEM				CHK	APPR'D BY	SCALE 4 : 1	MODULAR PLUG, LONG BODY, 8 POSITIONS

DWG. NO. SD 87522-****
 CAD FILE S87522 I2.DGN

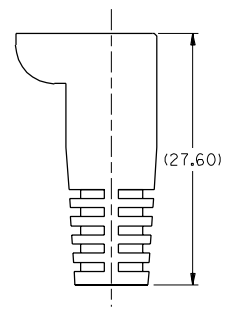
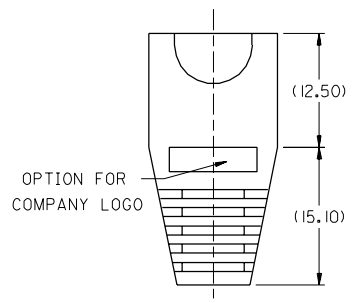
▽

DO NOT SCALE DRAWING

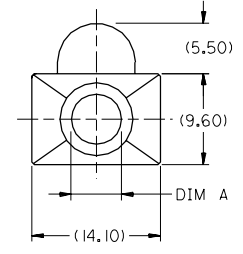
8 7 6 5 4 3 2 1



**FLAT TOP TERMINAL &
FEED-THRU OPTION**



**STRAIN RELIEF PROTECTIVE
COVER SCALE 2 : 1**



PART LEGEND :

87522 - 9 * * *		COLOR
LOGO	DIM A	0 - BLACK
0 - WITH COMPANY LOGO	0 - N 5.5	1 - BLUE
1 - WITHOUT COMPANY LOGO	1 - N 6.0	2 - BROWN
	2 - N 6.5	3 - GREEN
		4 - GREY
		5 - IVORY
		6 - ORANGE
		7 - RED
		8 - WHITE
		9 - YELLOW

NOTES :

1. THIS PROTECTIVE COVER IS USED IN THE 87281 & 87522 SERIES
:- 8 CKTS LONG BODY PHONE PLUG.
2. MATERIAL : PVC
3. IT IS SOLD SEPARATELY.

				MATERIAL :		MOLEX SINGAPORE PTE LTD	
				SEE NOTES AT SHEET 1		SHEET 2 OF 2	
				FINISH :		GENERAL TOLERANCES ± 0.20/0.008	
				SEE NOTES AT SHEET 1		DWG. NO. SD 87522-****	
				DRAWN BY SAMC 960228		TITLE : MODULAR PLUG, LONG BODY, 8 POSITIONS	
				APPR'D BY		SCALE 4 : 1	
REVISE ONLY ON CAD SYSTEM							