

RF Characteristics



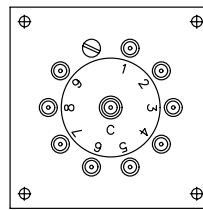
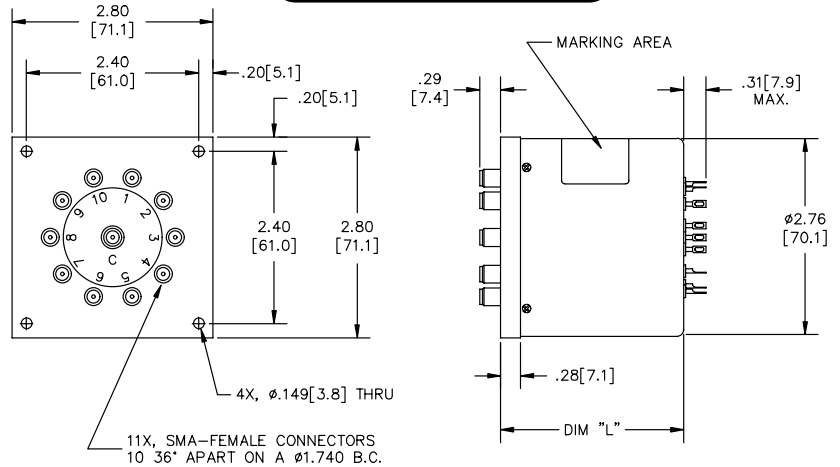
Frequency GHz	VSWR (max)	Isolation dB (min)	Ins. Loss dB (max)
DC-4	1.20	70	0.20
4-8	1.30	65	0.30
8-12.4	1.40	60	0.40
12.4-18	1.60	55	0.60

5A1 Latching Series, SMA

Specifications

- Operating Voltage:**
(across temperature range)
12 Vdc (11-14 Vdc)
28 Vdc (24-32 Vdc)
- Coil Current (max @ nom.Vdc & 20°C):**
12 Vdc 550 mA
28 Vdc 240 mA
- Switching Time:**
20 mS maximum
- Operating Temperature:**
-25°C to +65°C (Standard)
-55°C to +85°C (Extended "T" Option)
- Mechanical Life, Cycles:**
1,000,000 minimum
- Vibration, Operating:**
10 G RMS, 20-2000 Hz
- Mechanical Shock, Non-Operating:**
50 G, 1/2 Sine, 11 ms
- Nominal Weight:**
15 oz., (425g.)

Mechanical



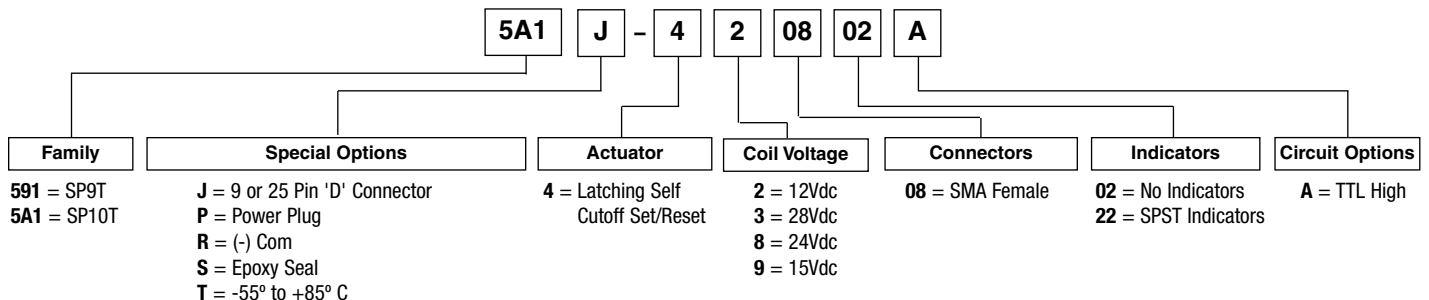
9 POSITION

5A1-430822 Shown

DIM "L" (MAX)	MODEL	ELEC. SCHEM.
4.0 [101.6]	5X1-4X08	1
2.70 [68.6]	5X1-4X0822	1
2.70 [68.6]	5X1-4X0802A	2
3.00 [76.2]	5X1-4X0822A	2

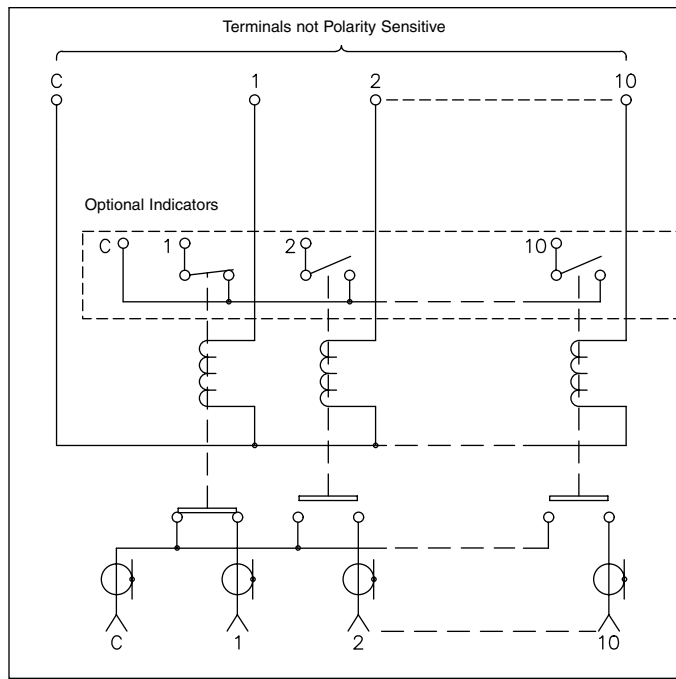
For Electrical Schematic see page # 3-17

Part Number Selection

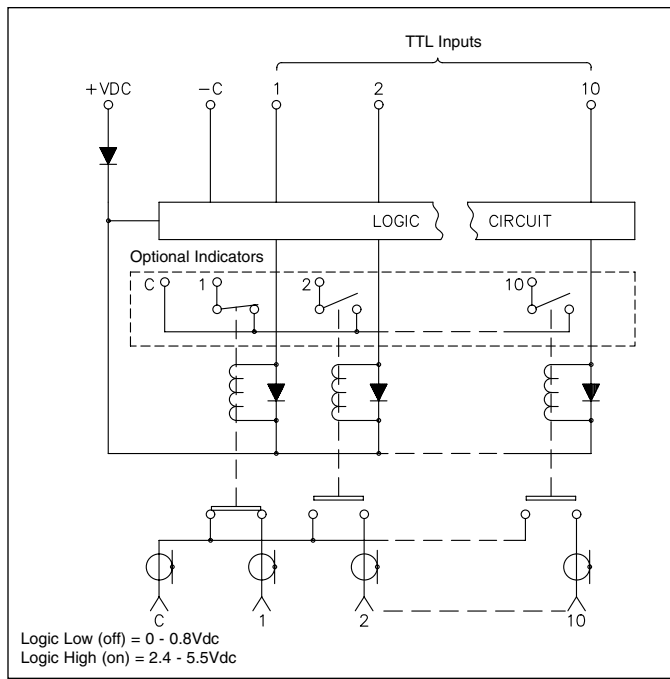




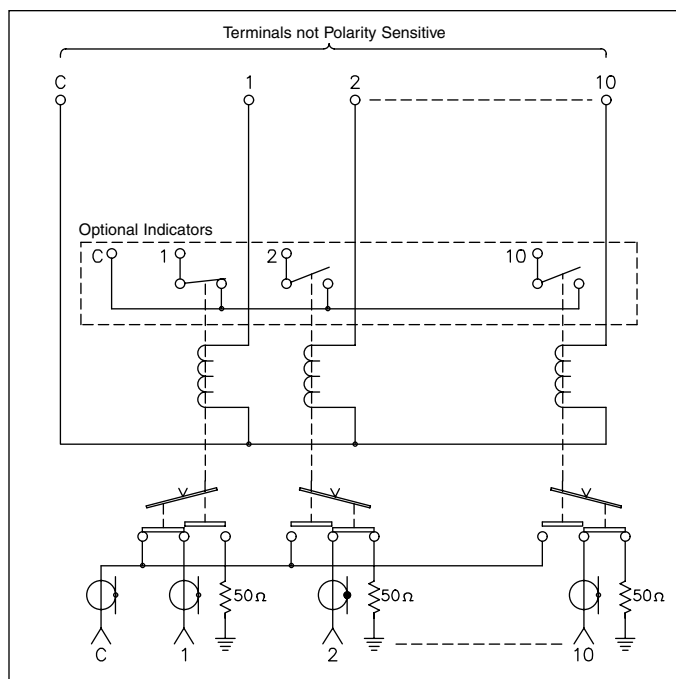
1 Normally Open



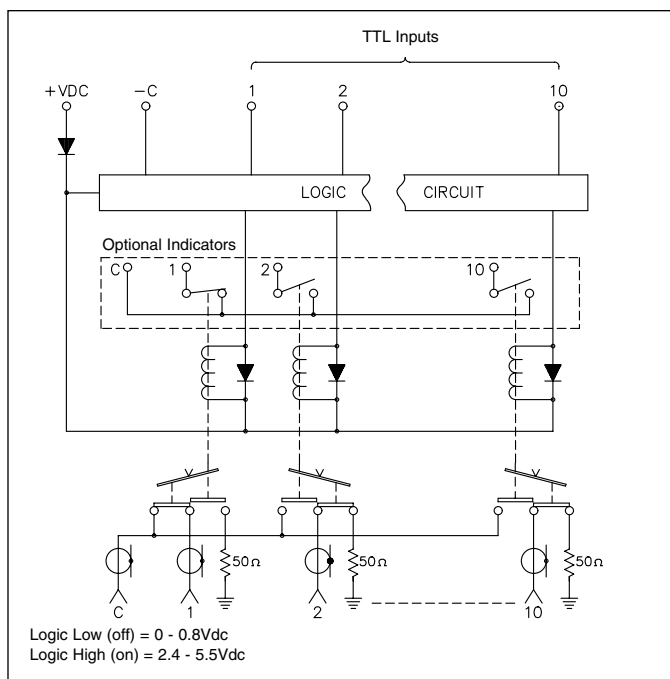
2 Normally Open TTL



3 N.O. Terminated



4 N.O. Terminated TTL



ALL SCHEMATICS SHOWN IN POSITION 1 ENERGIZED.