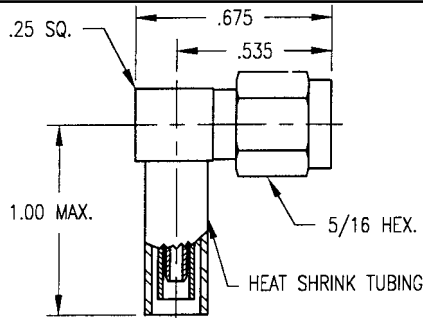


SMA STAINLESS STEEL: Solder Flexible Cable

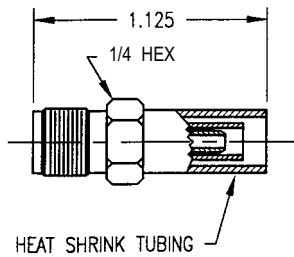
12.4 GHz Right Angle Plug



Part Number	Cable
252-500-0630G	RG-316
252-500-0631G	RG-316 double shielded
252-500-1160G	RG-303, 141
252-500-1161G	RG-142, 400

- See page 89 for cable assembly procedures: No. 5-05
- Part number shown is for gold plated.
- For passivated version change suffix to "P".

Straight Jack Non-Captive Contact

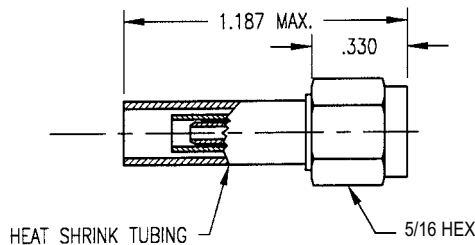


Part Number	Cable
251-500-0630G	RG-316
251-500-0631G	RG-316 double shielded
251-500-1160G	RG-303, 141
251-500-1161G	RG-142, 400

- See page 88 for cable assembly procedures: No. 5-04
- Part number shown is for gold plated.
- For passivated version change suffix to "P".

SMA STAINLESS STEEL: Crimp Flexible Cable

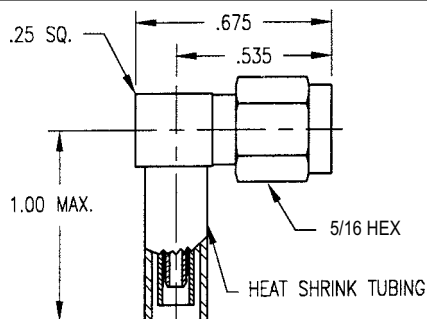
Straight Plug Non-Captive Contact



Part Number	Cable
250-900-0630G	RG-316
250-900-0631G	RG-316 double shielded
250-900-1160G	RG-303, 141
250-900-1161G	RG-142, 400
250-900-1070G	RG-180

- See page 108 for cable assembly procedures: No. 9-04
- Part number shown is for gold plated.
- For passivated version change suffix to "P".

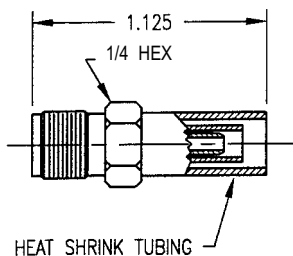
12.4 GHz Right Angle Plug



Part Number	Cable
252-900-0630G	RG-316
252-900-0631G	RG-316 double shielded
252-900-1160G	RG-303, 141
252-900-1161G	RG-142, 400
252-900-1070G	RG-180

- See page 109 for cable assembly procedures: No. 9-05
- Part number shown is for gold plated.
- For passivated version change suffix to "P".

Straight Jack Non-Captive Contact



Part Number	Cable
251-900-0630G	RG-316
251-900-0631G	RG-316 double shielded
251-900-1160G	RG-303, 141
251-900-1161G	RG-142, 400

- See page 108 for cable assembly procedures: No. 9-04
- Part number shown is for gold plated.
- For passivated version change suffix to "P".

Note: Dimensions shown in inches.

Winchester/Retconn