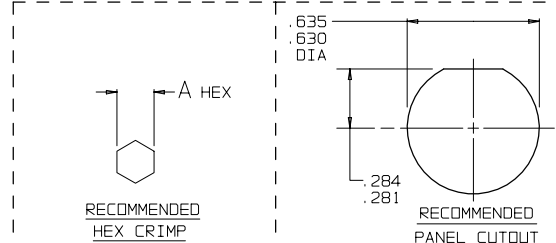
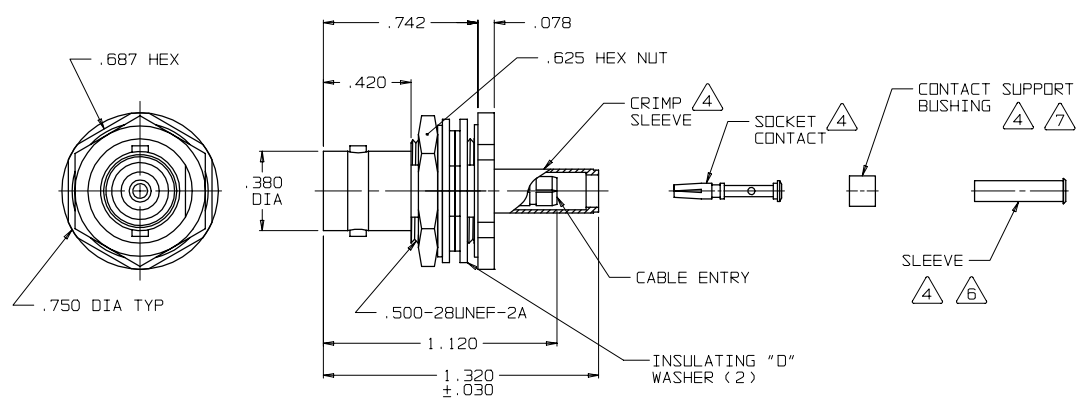


DASH NO	CABLES ACCOMMODATED	A HEX	ASSEMBLE PER
-003	RG-174, 316	.178	TAI-203-1
-004	RG-179, 187		
-005	NORTHERN ELECTRIC DBL-SHLD RG-187	.197	TAI-203-1
-006	GC875GPI, GRUMMAN DBL-SHLD RG-188		
-007	275-3991, MICRODDT	.178	TAI-203-1
-008	RG-195, -180 421-111, ESSEX		
-009	8218, BELDEN 21-597, ESSEX YR23023 BELDEN	.213	TAI-203-1
-011	RG-58; RG-141; RG-303		
-013	RG-59	.255	TAI-203-2
-013A	TCC-75-2		
-013B	RG-62	.255	TAI-203-1
-014	8212, BELDEN		
-015	730A, AT&T	.290	TAI-203-2
-015A	RG-71		
-016	724, AT&T 8281, BELDEN	.324	TAI-203-1
-017	RG-6		
-018	9268, BELDEN	.255	TAI-203-1
-019	8279, BELDEN		
-020	9248, BELDEN	.290	TAI-203-2
-022	88241, 88269, BELDEN		
-023	89108, BELDEN	.255	TAI-203-1
-024	89120, BELDEN		
-025	734A, AT&T	.255	TAI-203-1
-026	735A, AT&T		
-027	KS19224L2, AT&T	.178	TAI-203-1

DWG SIZE B
 DATA CONTAINED IN THIS DOCUMENT IS PROPRIETARY TO TROMPETER ELECTRONICS, INC. AND SHALL NOT BE DISCLOSED, COPIED OR USED FOR PROCUREMENT OR MANUFACTURE WITHOUT EXPRESS WRITTEN PERMISSION.

REVISIONS			105-1547		SH 1
REV	EO	DESCRIPTION	DWN	APPROVED	DATE
A	11343	ITEM 35 WAS P/N BNC-500 (DELBERT BLINN; SEE ECD	DKC		



6. SLEEVE REQUIRED ON -003 THRU -007 & -027 ONLY

5. MAXIMUM PANEL THICKNESS: .200

4. CRIMP SLEEVE, SOCKET CONTACT, SLEEVE AND CONTACT SUPPORT BUSHING ARE SUPPLIED LOOSE

3. RF COAXIAL 75 OHM BNC FULL CRIMP BULKHEAD MOUNT RECEPTACLE, WITH STANDARD STRIPPING DIMENSIONS

2. FINISH: TFS-1A, (NICKEL)

1. ALL DIM ARE IN INCHES

9. CABLE GROUP: SEE TABLE

8. THIS PART MAY BE SUPPLIED AS A KIT OF TWO COMPLETE ASSEMBLIES WITHIN A SINGLE BAG AS PART NUMBER 105-1547-9/2

7. CONTACT SUPPORT BUSHING REQUIRED ON -013B, -015A & -022 ONLY

QTY	DESCRIPTION	PART NUMBER	ITEM
TOL UNLESS SPECIFIED .XX ± .XXX ± .005 .XXXX ± ANGLES ±	TROMPETER ELECTRONICS, INC.		UBJ220 SPECIAL
DWN	DKC	9-13-95	MATERIAL
CHK			CODE IDENT
ENGR			14949
NEXT ASSY	APPR		DRAWING NO. 105-1547
			REV A
			SCALE 2/1
			DATE 4-8-94
			SHEET 1 OF 2