

INTEGRATED CONNECTOR MODULES

10Base-T belMag™ with LEDs

BM01822

Shielded connector with integrated 10Base-T magnetic
 compatible with a variety of 10Base-T transceiver
 operating temperature 0 to 70
 storage temperature -40 to 85
 designed in conjunction with improved crosstalk and optical
 BER performance

complies with IEEE 802.3 standard and all 10Base-T
 Ethernet standard

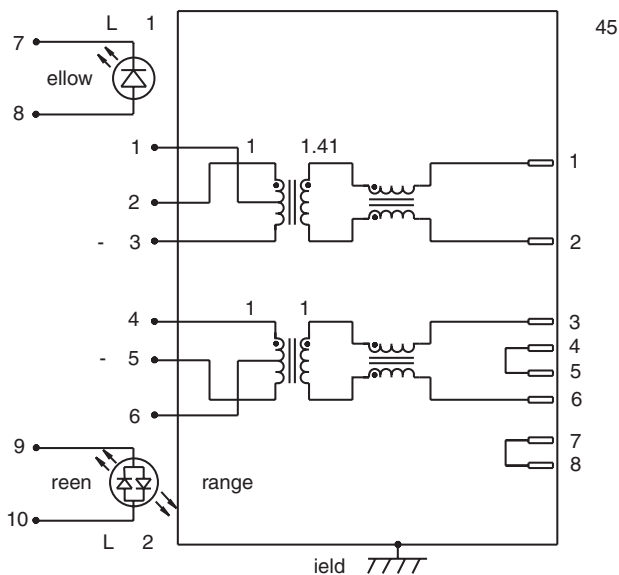
Integrated design conserves valuable board space
 minimizes interwinding breakdown voltage of 1500V
 Available in leaded and lead-free designs for improved reliability

ELECTRICAL SPECIFICATIONS AT 25° C

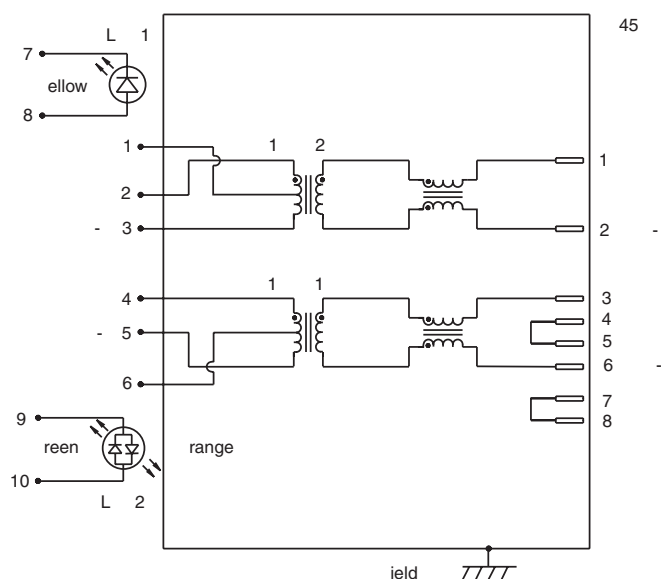
Part Number	Insertion Loss dB max	Return Loss dB min	Common to Common Mode Rejection dB min	Crosstalk dB min	OCL μH min
	1MHz to 10MHz	1MHz to 10MHz	10MHz to 30MHz	1MHz to 10MHz	
0810-1 1-12	-1.0	-15	-40	-40	200
0810-1 1-22	-1.0	-18	-30	-35	110

SCHEMATICS

0810-1XX1-12



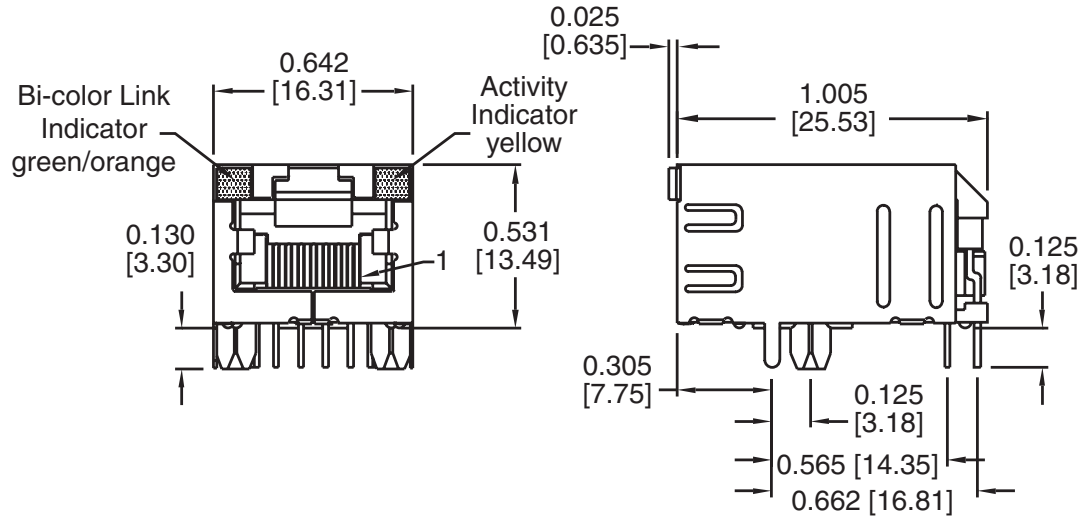
0810-1XX1-22



BM01822

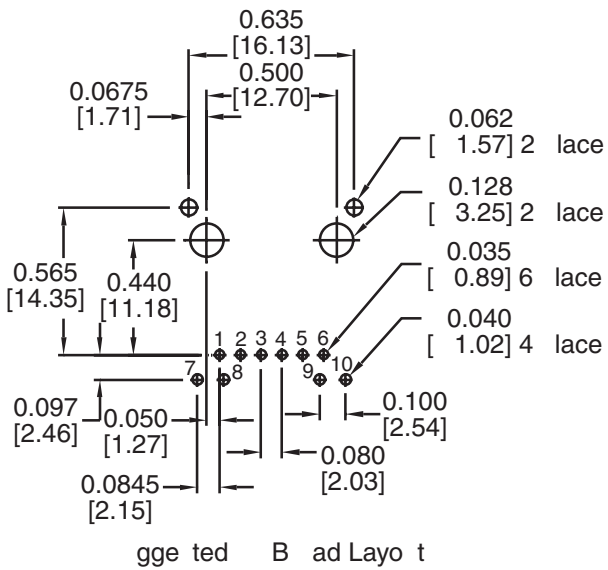
MECHANICAL

0810-1XX1-12
0810-1XX1-22



PAD LAYOUT

0810-1XX1-12
0810-1XX1-22

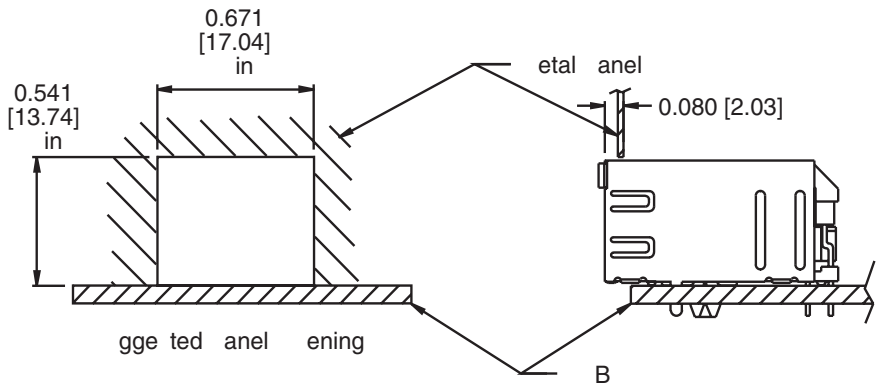


Notes

- la tic o ing
- er o la tic la a ility rating L 94 -0
- contact
- 50 micro-inc ard gold lating
- in-coated co er wire IA 0.018 [0.46]
- oldera ility
- er IL td. 202 et od 208
- etal ield
- in lead lated co er alloy

Available Options

- ario tran or ert rn ratio
- ario L color co ination



2008 Bel e Inc. eci ication ect to c ange wit o t notice. 06.08

CORPORATE

Bel Fuse Inc.
206 an or t treet
er ey ity 07302
el 201-432-0463
a 201-432-9542
www. el e.co

FAR EAST

Bel Fuse Ltd.
8 /8 L k o treet
an o ong
owloon ong ong
el 852-2328-5515
a 852-2352-3706
www. el e.co

EUROPE

Bel Fuse Europe Ltd.
re ton ec nology anage ent entre
ar Lane ite 7 re ton
Lanca ire 18
el 44-1772-556601
a 44-1772-888366
www. el e.co